

ZT20J (ZT68J)  
Parts Manual

**Zoomlion Heavy Industry Science&Technology Co.Ltd.**

Add:ZOOMLION Wangcheng Industrial Park,Jingxing Road 997,  
Wangcheng District,Changsha,Hunan,PRC.

Zip Code:410013

Email:awm@zoomlion.com

Mobile:400-800-0157

**ZOOMLION**

**ZOOMLION**

**ZT20J (ZT68J)  
Parts Manual**

June 2019 Version A



## **Foreword**

Zoomlion appreciates your choice of our machine for your application. The Parts Manual must be read and understood in its entirety before operating the machine.

This manual introduces you the components and significant technical specs of telescopic boom lifts in detail for working efficiency improving. Keep this manual properly at all times for looking up.

Do not attempt to maintain and repair the product without carefully reading and understanding the contents of this manual. If you have any questions or concerns, please call your local service engineer and we will provide you with timely and effective technical support. Zoomlion AWP Machinery Company does not take the consequence of wrong operation.

This manual should be considered a permanent part of your machine and should remain with the machine at all times.

The content is under intellectual property protection, permission is required for a copy or other application.

There might be some tiny differences in details between your machine and the upgraded one due to the continuous improving. For clarification, questions, or additional information regarding any portions of this manual, contact Zoomlion AWP Machinery.

Our company reserves the right to modify this manual as technical improvement without notice.

Thank you for your trust and support for Zoomlion products!

Zoomlion Aerial Work Platform Machinery Company

## Contents

Foreword.....	I
Content.....	II
<b>SECTION 1 WORK PLATFORM .....</b>	<b>1-1</b>
Work Platform 0077110010000000.....	1-1
Platform Assembly 00771600100200000.....	1-3
Tray Assembly 00771600100400000 .....	1-5
<b>SECTION 2 BOOM.....</b>	<b>2-1</b>
Jib 00771100210000000.....	2-1
Boom Assembly 00771100310000000 .....	2-5
Cable Chain System 00771400700000000.....	2-17
Cable Chain System 00771100720000000.....	2-19
Linkage 00771100610000000 .....	2-21
<b>SECTION 3 TURNTABLE.....</b>	<b>3-1</b>
Turntable Assembly 00771100800000000 (Perkins) .....	3-1
Turntable Assembly 00771100810000000 (Deutz) .....	3-5
Slewing Mechanism 00771100900000000.....	3-9
Counterweight 00771101000000000.....	3-11
Hood 00771101100000000.....	3-13
<b>SECTION 4 CHASSIS .....</b>	<b>4-1</b>
Chassis assembly 00771102810000000.....	4-1
<b>SECTION 5 POWER SYSTEM.....</b>	<b>5-1</b>
Exhaust System 00771107111000000 (Deutz) .....	5-1
Exhaust System 00771107121000000 (Perkins) .....	5-3
Intake System00773407128000000 (Deutz) .....	5-5
Intake System00771107128000000 (Perkins) .....	5-7
Cooling System00771107110600000 (Deutz) .....	5-9
Cooling System00771107120600000 (Perkins) .....	5-11
Fuel System00771107110400000 (Deutz) .....	5-15
Fuel System00771107120400000 (Perkins) .....	5-17

## Contents

Engine00771107110200000 (Deutz) .....	5-19
Engine00771107120200000 (Perkins) .....	5-21
<b>SECTION 6 HYDRAULIC SYSTEM .....</b>	<b>6-1</b>
Frame Hydraulic Components Mounting (front motor) 00771105200600000 .....	6-1
Frame Hydraulic Components Mounting (rear motor) 00771105200600000 .....	6-3
Frame Hydraulic Components Mounting (return oil block) 00771105200600000 .....	6-5
Frame Hydraulic Components Mounting (travel diverter valve) 00771105200600000 .....	6-7
Frame Hydraulic Components Mounting (steering cylinder) 00771105200600000 .....	6-9
Frame Hydraulic Components Mounting (float cylinder) 00771105200600000 .....	6-11
Frame Hydraulic Components Mounting (pump) 00771105200800000 .....	6-13
Frame Hydraulic Components Mounting (oil supply filter) 00771105200800000 .....	6-15
Frame Hydraulic Components Mounting (high pressure filter) 00771105200800000 .....	6-17
Frame Hydraulic Components Mounting (auxiliary pump) 00771105200800000 .....	6-19
Frame Hydraulic Components Mounting (main valve) 00771105200800000 .....	6-21
Frame Hydraulic Components Mounting (travel control valve) 00771105200800000 .....	6-23
Frame Hydraulic Components Mounting (jib valve) 00771105201000000 .....	6-25
Frame Hydraulic Components Mounting (rotary actuator) 00771105201000000 .....	6-27
Center Swivel Joint Installation 00771105201200000 .....	6-29
Balance Valve Mounting (lifting balance valve) 00771105201400000 .....	6-31
Balance Valve Mounting (telescopic balance valve) 00771105201400000 .....	6-33
Balance Valve Mounting (Slewing balance) 00771105201400000 .....	6-35
Balance Valve Mounting (jib balance) 00771105201400000 .....	6-37
Balance Valve Mounting (leveling balance) 00771105201400000 .....	6-39
Hydraulic Tank 00771105201600000 .....	6-41
<b>SECTION 7 ELECTRICAL SYSTEM .....</b>	<b>7-1</b>
Turntable Cables 00771106210410000 (Perkins) .....	7-1
Turntable Cables 00771106210410000 (Deutz D435) .....	7-3
ECU Cables 00771106210420000 (Perkins) .....	7-5
ECU Cables 00771106210420000 (Deutz D435) .....	7-7
Boom Cables 00771106200430000 .....	7-9
Platform Cables 00771106200440000/Cables Restructuring 00771106200610000 .....	7-11
Power Line 00771106210450000 (Perkins) .....	7-13
Power Line 00771106200450000 (Deutz D435) .....	7-15

---

## **Contents**

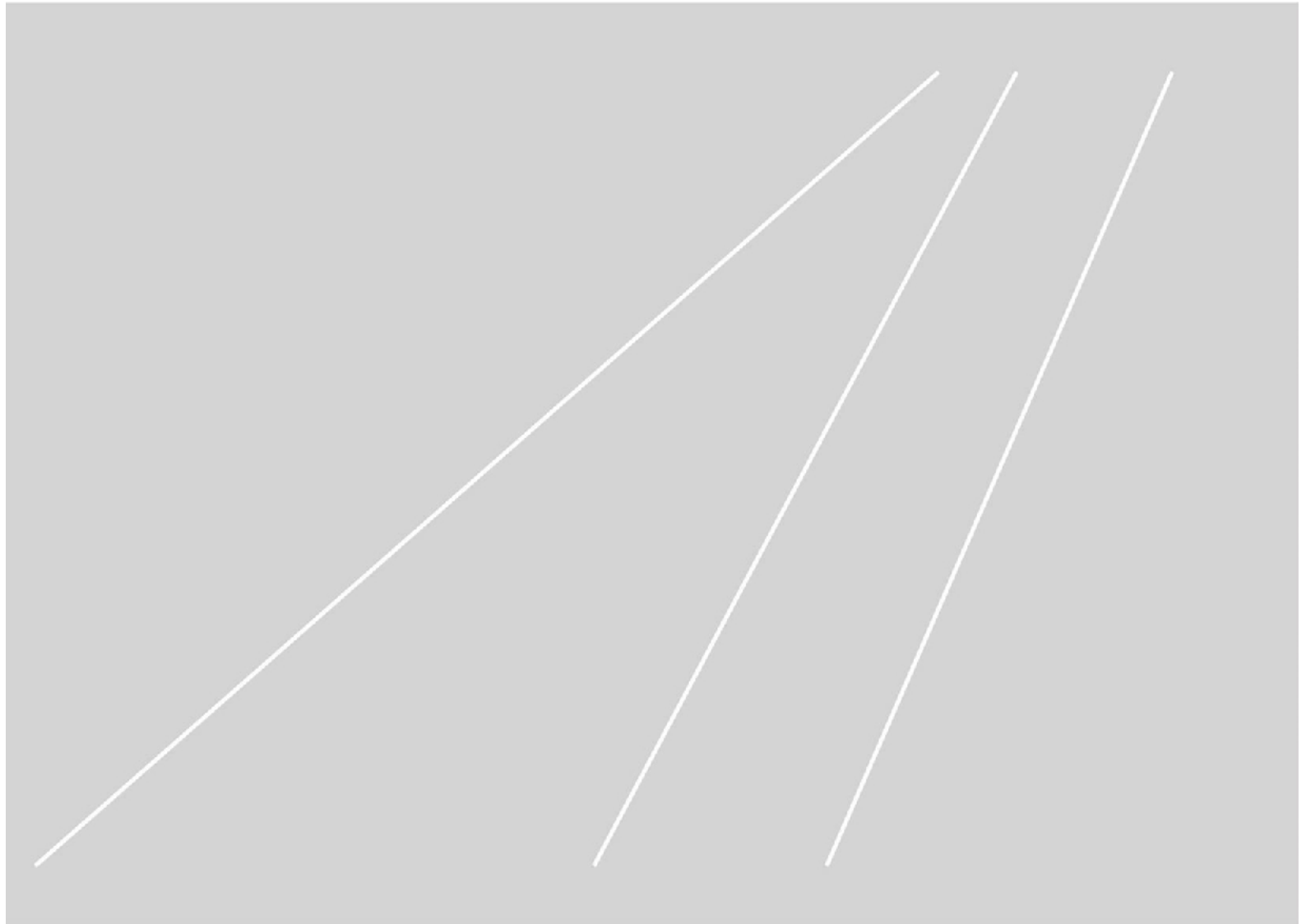
---

<b>SECTION 8 LABEL ASSEMBLY .....</b>	<b>8-1</b>
Label Assembly 0077110700000000 .....	8-1

# **ZOOMLION**

**Parts Manual**

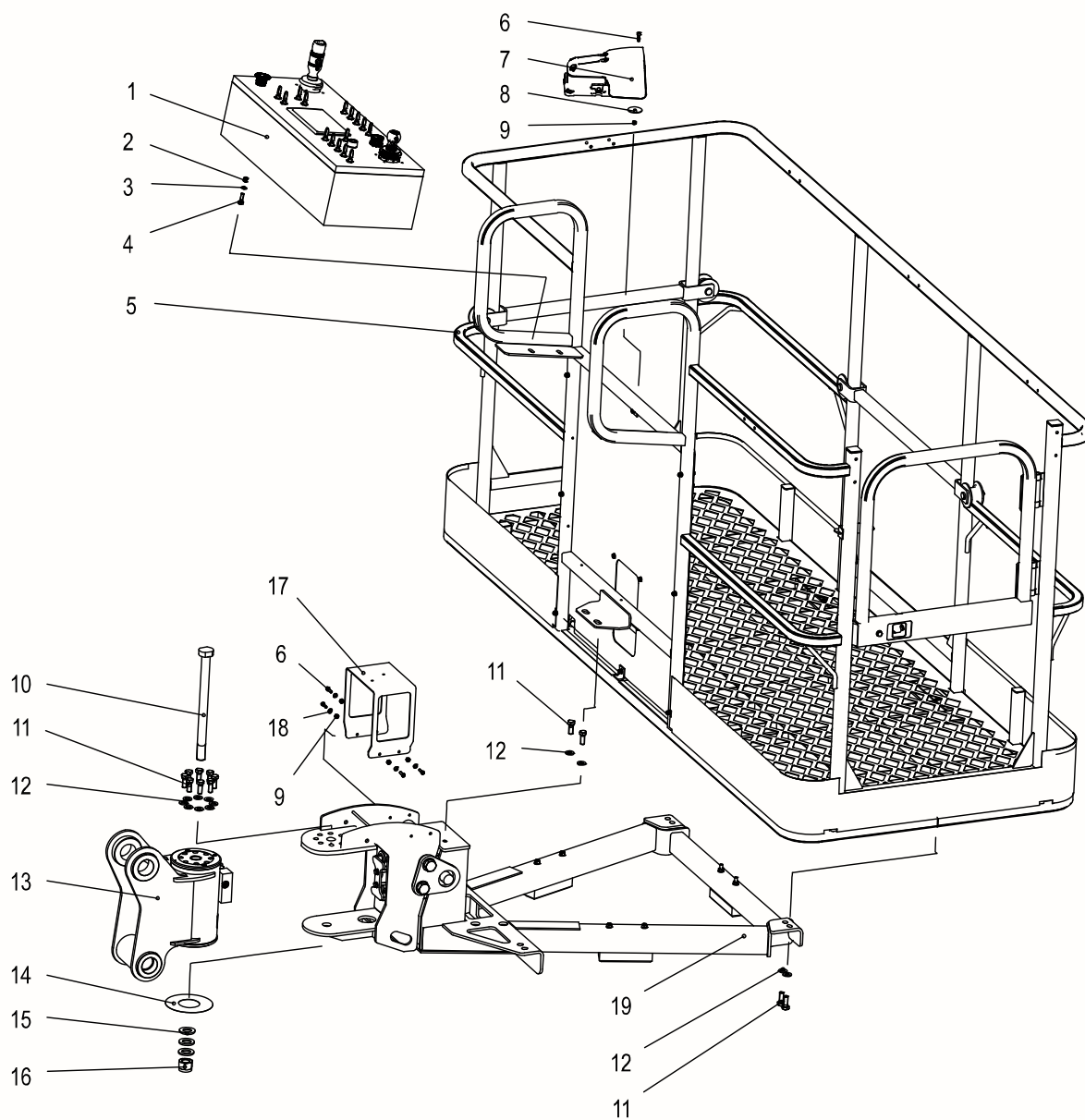
**Section 1 Work Platform**







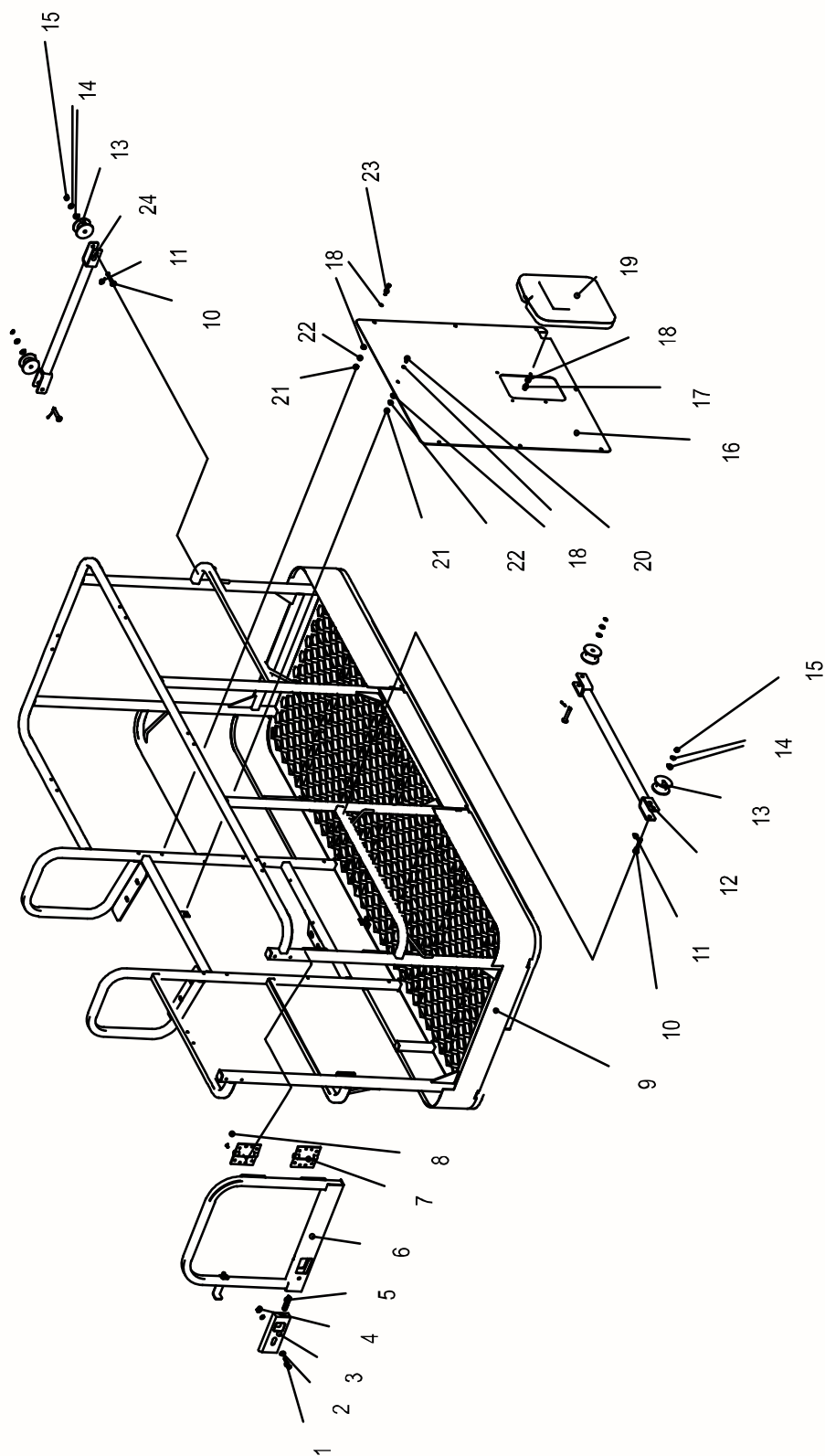
### Work Platform 0077110010000000



## Work Platform 0077110010000000

NO.	Material No.	Item and Spec	Units	Remark
1	00773406200210000	Platform electrical cabinet assembly	1	
2	1040200503	Hexagon lock nut with non-metallic insert M8-8	4	GB/T 889.1-2000
3	1040301515	Flat washer A class 8-200HV	4	GB/T 97.1-2002
4	1040004519	Hexagon bolt M8×25-8.8	4	GB/T 5783-2000
5	00771600100200000	Platform assembly	1	
6	1040102372	Hexagon socket head cap screws M6×20-A2-70	8	GB/T 70.1-2000
7	1020521022	Foot switch	1	
8	00771400100201020	Homemade washer	4	
9	1040201865	Hexagon nut M6-A2-70	8	GB/T 6170-2000
10	00771400100401080	Homemade bolt	1	
11	1040004653	Hexagon bolt M12×30-10.9	18	GB/T 5783-2000
12	1040302490	Flat washer A class 12-200HV	18	GB/T 97.1-2002
13	1010201535	Rotary actuator	1	
14	00771600100001040	Rotary actuator spacer shim	1	
15	1040301511	Flat washer A class 24-200HV	3	GB/T 97.1-2002
16	1040201111	Hexagon lock nut with non-metallic insert M24-10	1	GB/T 889.1-2000
17	00771100100001010	Hydraulic valve support	1	
18	1040300771	Flat washer A class 6-A2	4	GB/T 97.1-2002
19	00771600100400000	Tray assembly	1	

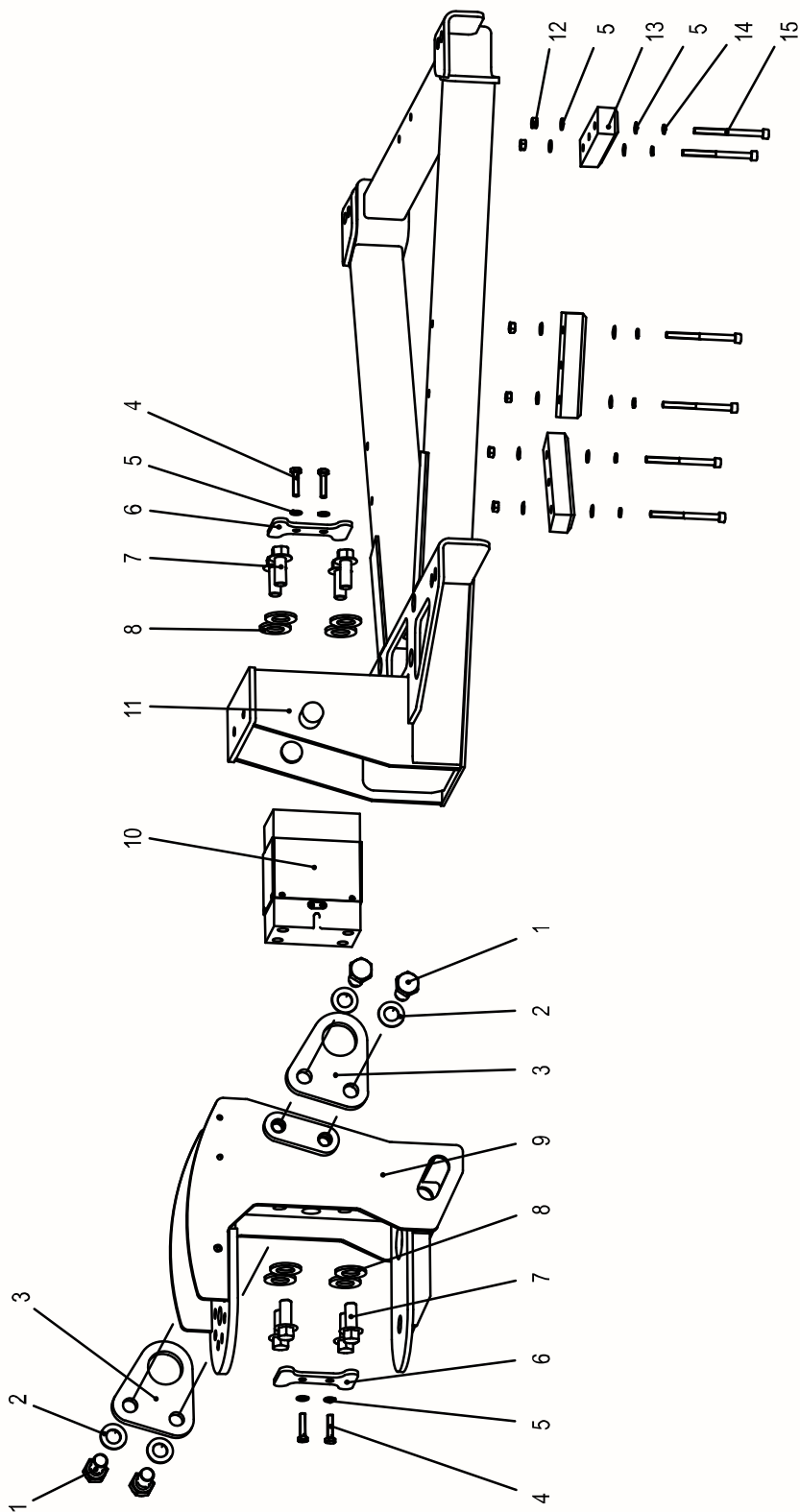
### Platform assembly 00771600100200000



## Platform assembly 00771600100200000

NO.	Material No.	Item and Spec	Units	Remark
1	1040004522	Hexagon bolt M8×50-8.8	1	GB/T 5783-2000
2	1040301515	Flat washer A class 8-200HV	2	GB/T 97.1-2002
3	00773400100201020	Key cylinder	1	
4	1040201880	Acorn nuts M8-6	1	GB/T 802-1988
5	00775600101801020	Spring	1	
6	00773400100230000	Swing gate	1	
7	1101000138	Reset hinge	2	
8	1040102599	Cross recessed countersunk head screw M5×12-A2-70	16	GB/T 819.1-2000
9	00771600100210000	Platform weldment	1	
10	00771400100201040	Sliding rod door locating pin	4	
11	1040500475	Cotter 3×20	4	GB/T 91-2000
12	00771400100230000	Removable slide door I	1	
13	00771600100201010	Nylon pulley	4	
14	1040302489	Flat washer A class 10-200HV	8	GB/T 97.1-2002
15	1040300043	Circlips for shaft--Type 10	4	GB/T894.1-1986
16	00771100100201010	Baffle	1	
17	1040001631	Hexagon bolt M6×20-A2-70	4	GB/T 5783-2000
18	1040300771	Flat washer A class 6-200HV	20	GB/T 97.1-2002
19	1999904986	Document box	1	
20	1040002555	Hexagon bolt M6×16-A2-70	2	GB/T 5783-2000
21	1040201865	Hexagon nut M6-A2-70	8	GB/T 6170-2000
22	1040301610	Standard spring washer 6	8	GB/T 93-1987
23	1040001715	Hexagon bolt M6×45-A2-70	6	GB/T 5783-2000
24	00771400100240000	Removable slide door II	1	

## Tray assembly 00771600100400000



## Tray assembly 0077160010040000

NO.	Material No.	Item and Spec	Units	Remark
1	1040004498	Hexagon bolt M20×40-8.8	4	GB/T 5783-2000
2	1040302493	Flat washer 20-200HV	4	GB/T 97.1-2002
3	00771600100001030	Platform hook II	2	
4	1040004619	Hexagon bolt M8×35-8.8	4	GB/T 5783-2000
5	1040301515	Flat washer A class 8-200HV	16	GB/T 97.1-2002
6	00773400100401020	Pressing plate	2	
7	1040004654	Hexagon bolt with flange B class M16×1.5×40	8	GB/T 5787-1986
8	1040301511	Flat washer A class 24-200HV	8	GB/T 97.1-2002
9	00771600100420000	Transit seat	1	
10	1021404016	Load cell	1	
11	00771600100410000	Tray weldment	1	
12	1040201089	Hexagon nut M8-8	6	GB/T 6170-2000
13	00773400100401040	Cushion block	3	
14	1040301510	Standard spring washer 8	6	GB/T 93-1987
15	1040103118	Hexagon socket head cap screws M8×100-8.8	6	GB/T 70.1-2000

# **ZOOMLION**

**Parts Manual**

**Section 2 Boom**

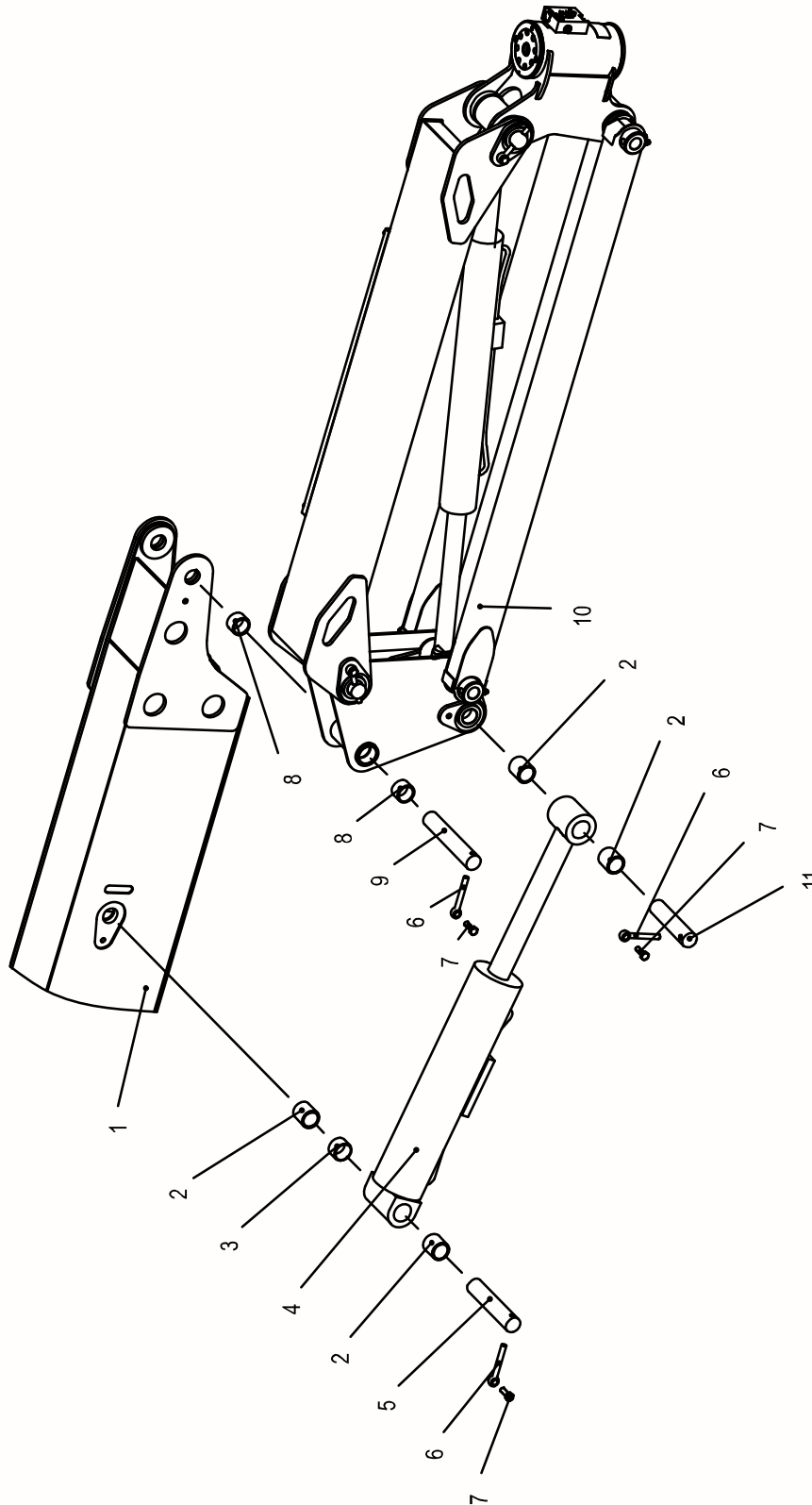






## Jib 0077110021000000

BOOM

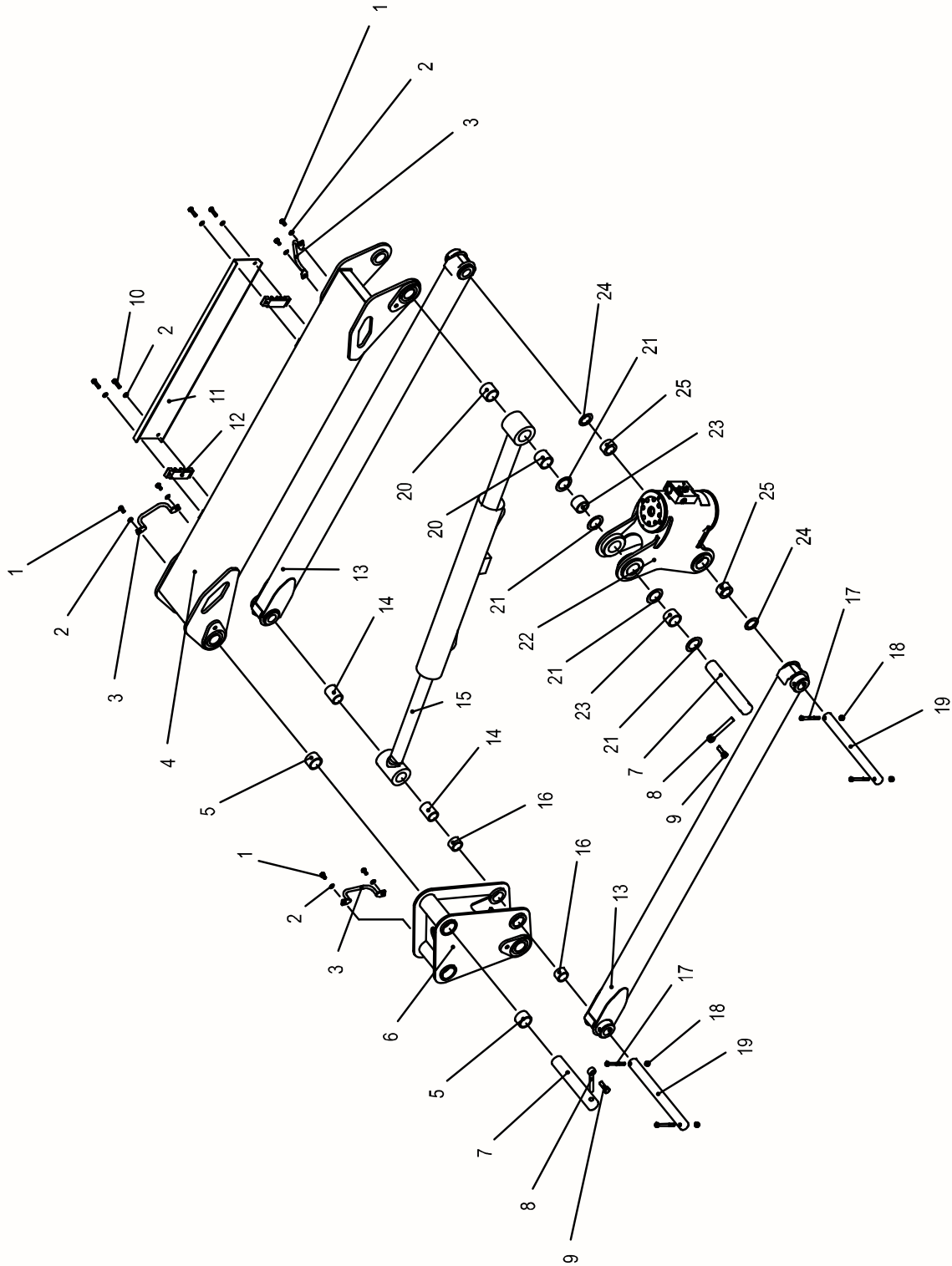


**Jib 0077110021000000**

NO.	Material No.	Item and Spec	Unit	Remark
1	0077110031060000	Boom weldment	1	
2	00771400301601020	Non-lubricated bearing	4	
3	00771100300001050	Cylinder bushing	1	
4	0077110030100000	Upper leveling cylinder	1	
5	00771100300001040	Upper leveling cylinder pin	1	
6	00773400200001070	Stop pin	3	
7	1040002437	Hexagon bolt M12×35-8.8	3	GB/T 5783-2000
8	00771400200001130	Non-lubricated bearing	2	
9	00771100210001010	Upper linkage pin	1	
10	0077110021000000	Jib	1	
11	00771100210001030	Main boom connecting pin	1	

## Jib 0077110021000000

BOOM

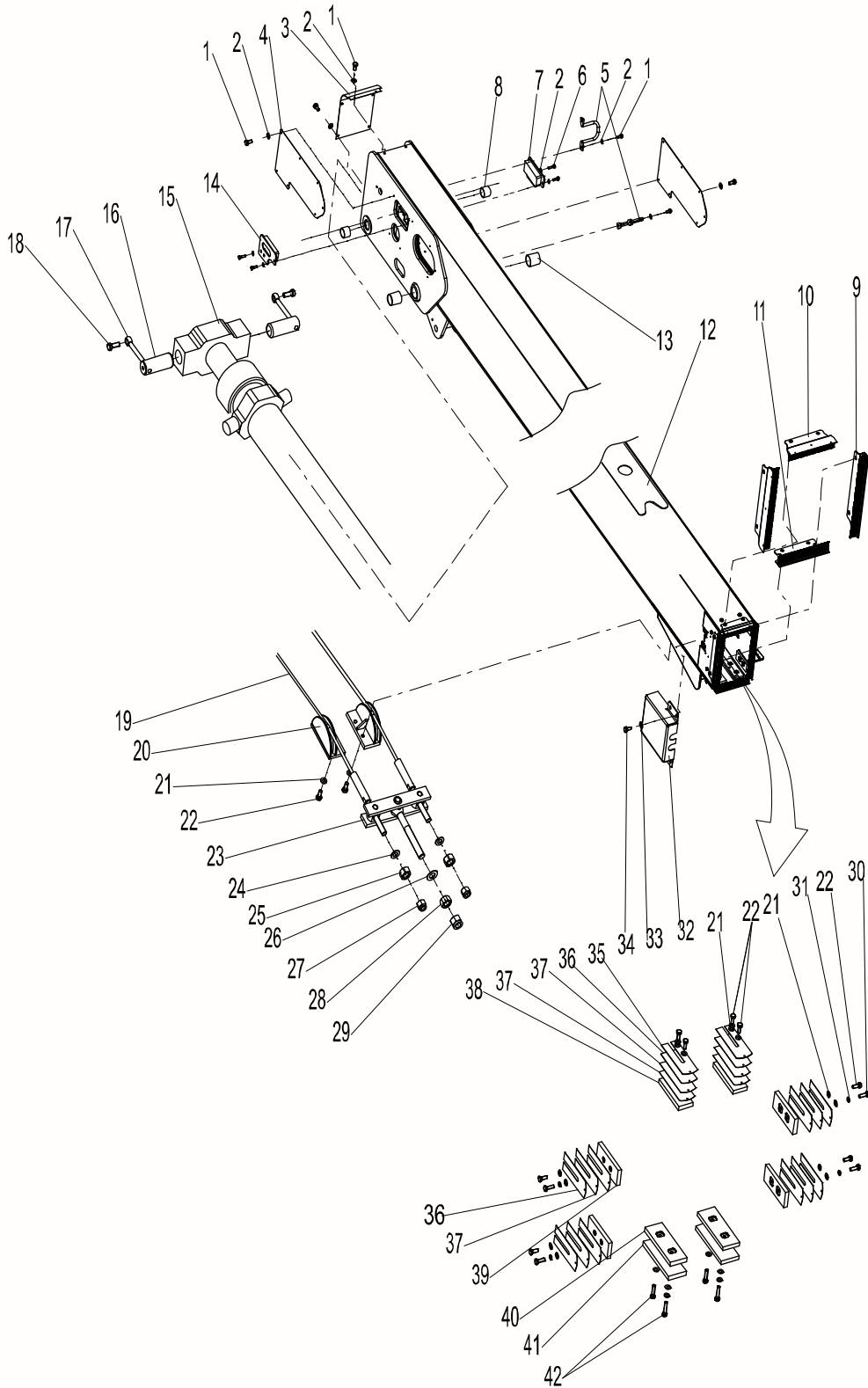


## Jib 0077110021000000

NO.	Material No.	Item and Spec	Unit	Remark
1	1040004590	Hexagon bolt M8×14-8.8	6	GB/T 5783-2000
2	1040301515	Flat washer A class 8-200HV	10	GB/T 97.1-2002
3	00771400211200000	Adjustable pipe clip	3	
4	00771100210200000	Upper linkage	1	
5	00771400200001130	Non-lubricated bearing	2	
6	00771100200600000	Support	1	
7	00771100210001010	Upper linkage pin	2	
8	00773400200001070	Stop pin	2	
9	1040002437	Hexagon bolt M12×35-8.8	2	GB/T 5783-2000
10	1040004520	Hexagon bolt M8×30-8.8	4	GB/T 5783-2000
11	00771100210001100	Pipeline guard board	1	
12	00771100210001090	Pipe sleeve	2	
13	00771100210400000	Lower linkage	2	
14	00771100200001080	Non-lubricated bearing	2	
15	00771100200600000	Jib lifting cylinder	1	
16	00771100210001040	Non-lubricated bearing	2	
17	1040103116	Hexagon socket head cap screws M8×75-10.9	4	GB/T 70.1-2000
18	1040200503	Hexagon lock nut M24-10	4	GB/T 889.1-2000
19	00771100210001020	Lower linkage pin	2	
20	00771100200001070	Non-lubricated bearing	2	
21	00771100210001070	Spacer I	4	
22	1010201535	Rotary actuator	1	
23	00771100210001050	Non-lubricated bearing	2	
24	00771100210001080	Spacer II	2	
25	00771100210001060	Non-lubricated bearing	2	

## Boom assembly 0077110031000000

BOOM

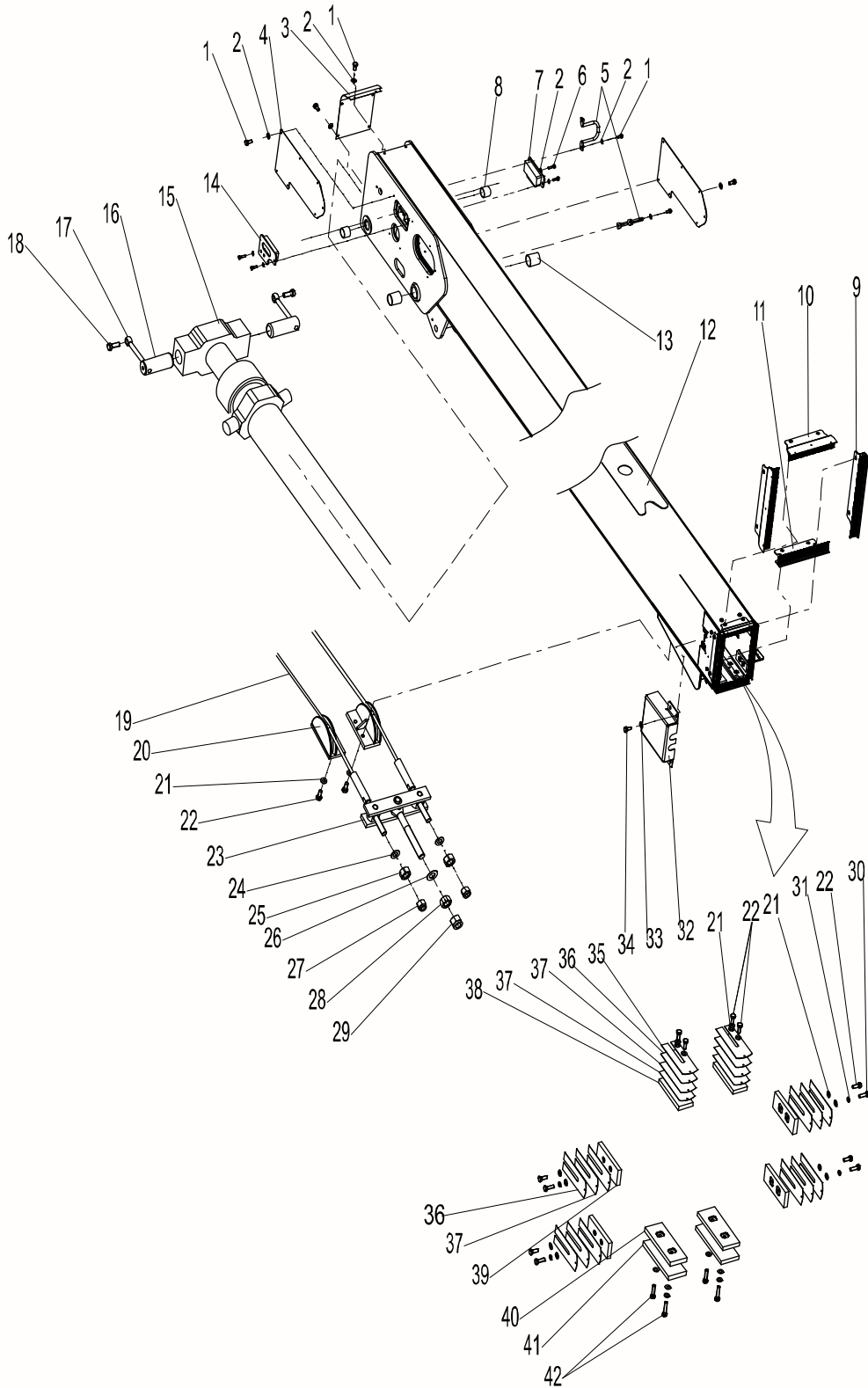


### Boom assembly 0077110031000000

NO.	Material No.	Item and Spec	Unit	Remark
1	1040004517	Bolt M8×16-8.8	24	GB/T5783-2000
2	1040301515	Washer 8-200HV	24	GB/T97.1-2002
3	0077110030180000	Close plate weldment	1	
4	00771100300001030	Lateral cover plate	2	
5	0077140071180000	Adjustable pipe clip	2	
6	1040004519	Bolt M8×25-8.8	6	GB/T5783-2000
7	00771100310890000	Cover plate weldment Right	1	
8	00771100301201010	Non-lubricated bearing	2	
9	00771100301220000	Side dustproof f brush	2	
10	00771100301230000	Up dustproof f brush	1	
11	00771100301210000	Down dustproof f brush	1	
12	00771100310200000	Base boom	1	
13	00771100301201020	Non-lubricated bearing	2	
14	00771100310880000	Cover plate weldment Left	1	
15	00771100300810000	Telescopic cylinder	1	
16	00771100300801010	Telescopic cylinder pin	2	
17	00773400400001250	Stop pin	2	
18	1040004570	Bolt M16×30-8.8	2	GB/T5783-2000
19	00771100300801030	Boom retracting wire rope	2	
20	00771400300830000	Fixed pulley	2	
21	1040302489	Washer 10-200HV	24	GB/T97.1-2002
22	1040002434	Bolt M10×25-8.8	12	GB/T5783-2000
23	00771100300820000	Boom retract balance mechanism	1	
24	1040302492	Washer 16-200HV	2	GB/T97.1-2002
25	1040201382	Nut M16-8	2	GB/T6170-2000
26	1040302493	Washer 20-200HV	1	GB/T97.1-2002
27	1040201096	Nut M16-9	2	GB/T6182-2000
28	1040201484	Nut M20-10	1	GB/T6170-2000
29	1040200741	Nut M20-10	1	GB/T889.1-2000
30	1040004565	Bolt M10×30-8.8	4	GB/T5783-2016
31	1040301502	Washer 10-200HV	4	GB/T93-1987
32	00771100300001070	Sensor cover plate	1	
33	1040302410	Washer 4-200HV	4	GB/T97.1-2002
34	1040004591	Bolt M4×8-8.8	4	

## Boom assembly 0077110031000000

BOOM



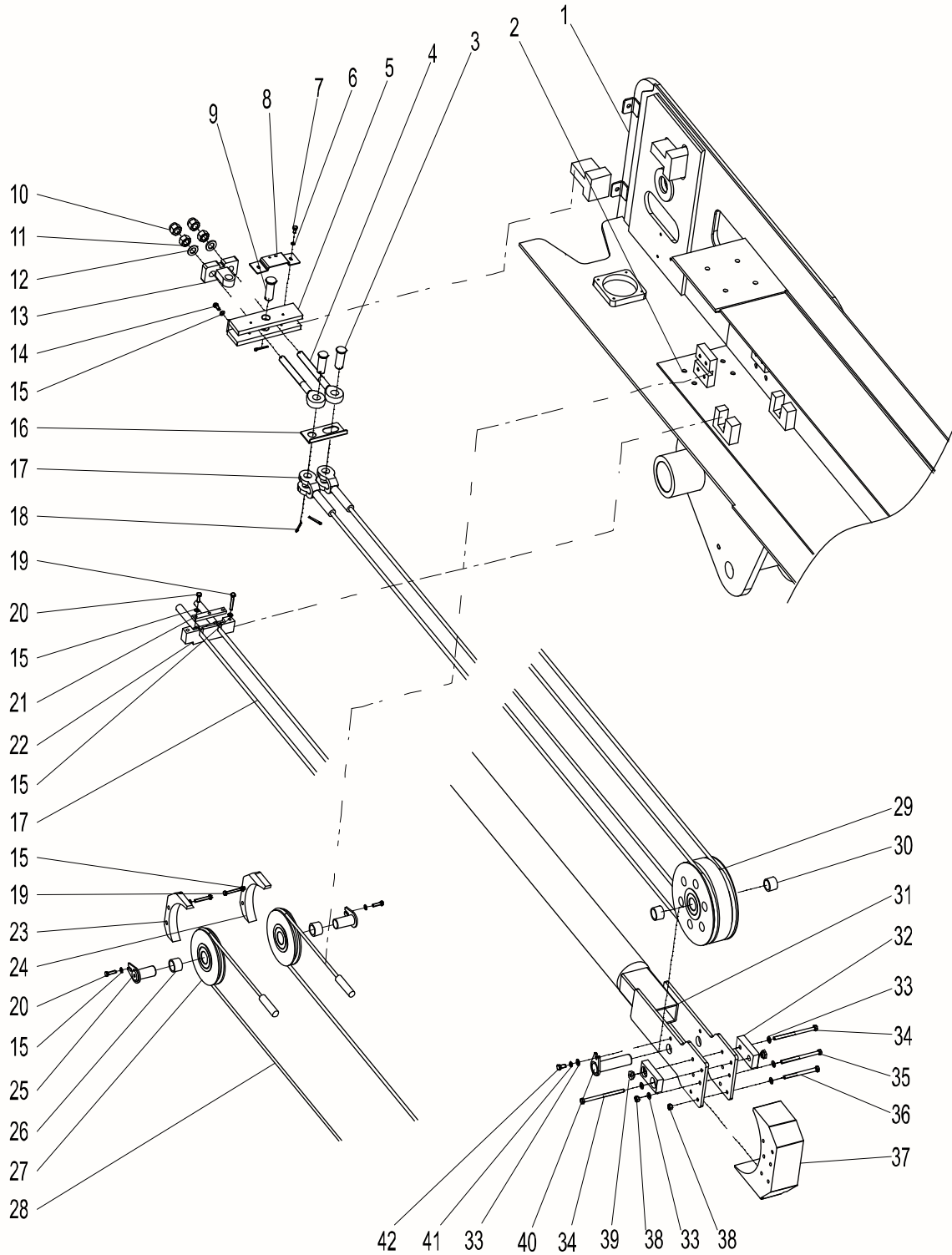


**Boom assembly 0077110031000000**

<b>NO.</b>	<b>Material No.</b>	<b>Item and Spec</b>	<b>Unit</b>	<b>Remark</b>
35	00773400300001130	Adjustable spacer IV	2	
36	00773400300001140	Adjustable spacer V	6	
37	00773400300001150	Adjustable spacer VI	12	
38	00771400301250000	Slider	2	
39	00771100301250000	Slider	4	
40	00771400301240000	Slider	2	
41	00771100301401040	Down slider cushion block	2	
42	1040004507	Bolt M10×40-8.8	4	GB/T5783-2000

## Boom assembly 0077110031000000

BOOM

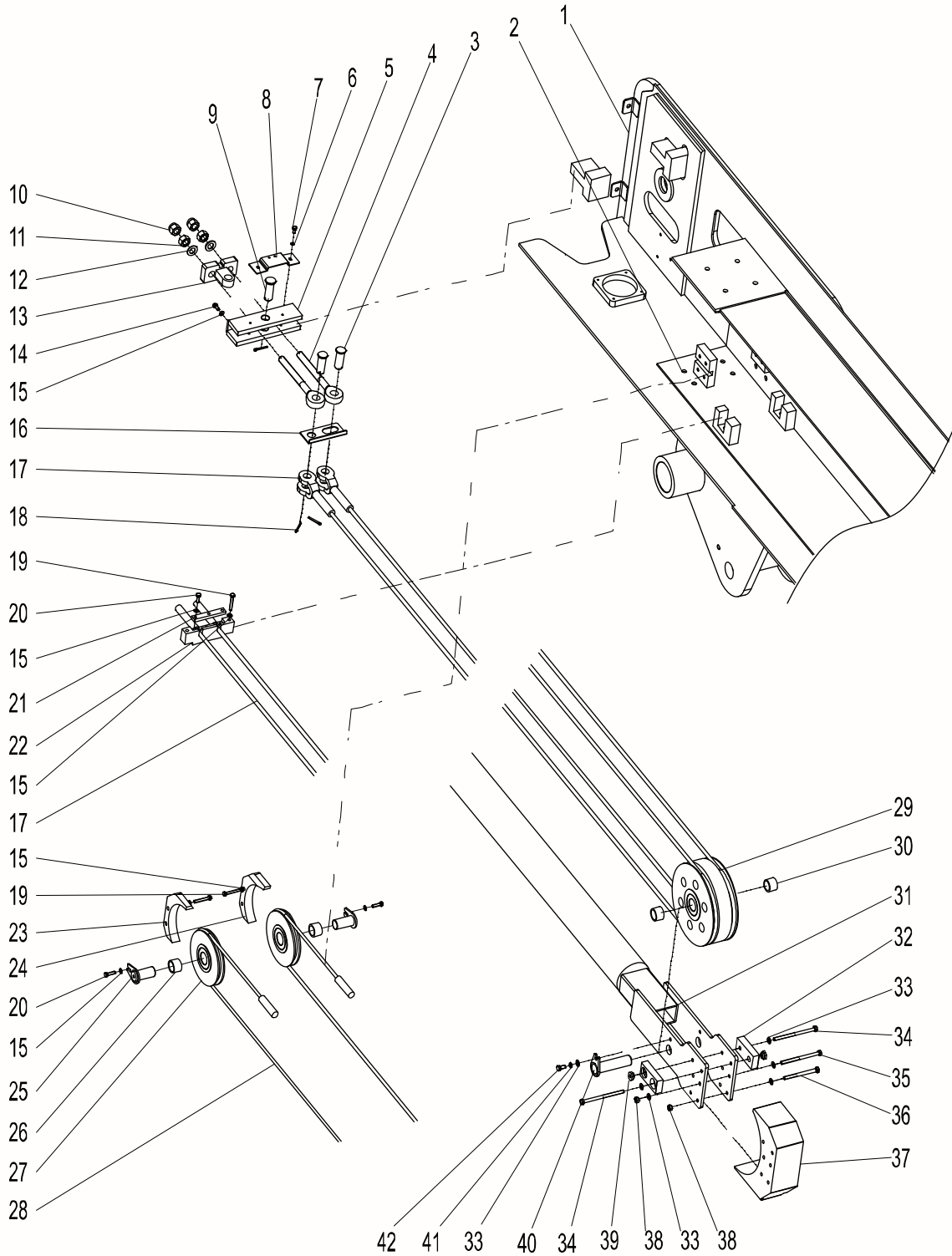


### Boom assembly 0077110031000000

NO.	Material No.	Item and Spec	Unit	Remark
1	0077110031020000	Base boom weldment	1	
2	0077110031060000	Boom weldment	1	
3	00771100300801090	Pin I	2	
4	00771100300801060	Rope head	2	
5	00771100300850000	Baffle weldment	1	
6	1040300771	Washer 6-200HV	2	GB/T97.1-2002
7	1040004517	Bolt M8×16-8.8	2	GB/T5783-2000
8	00771100300860000	Bracket weldment	1	
9	00771100300801100	Pin II	1	
10	1040200741	Nut M20-10	2	GB/T889.1-2000
11	1040201484	Nut M20-10	2	GB/T6170-2000
12	1040302493	Washer 20-200HV	2	GB/T97.1-2002
13	00771100300801080	Swing Support	1	
14	1040004518	Bolt M8×20-8.8	2	GB/T5783-2000
15	1040301515	Washer 8-200HV	13	GB/T97.1-2002
16	00771100300801040	Turning preventing plate	1	
17	00771100300801020	Boom extending wire rope	2	
18	1040500394	Cotter 5×40	3	GB/T91-2000
19	1040000135	Bolt M8×55-8.8	6	GB/T5783-2000
20	1040004519	Bolt M8×25-8.8	5	GB/T5783-2000
21	00771100301601020	Pressing plate	1	
22	00771100301601010	Fixed support	1	
23	00771100300801050	Pulley cover Right	1	
24	00771100300801070	Pulley cover Left	1	
25	00771100300870000	Retracting pulley pin	2	
26	00771400300801010	Non-lubricated bearing I	2	
27	00771400300850000	Retracting pulley	2	
28	00771100300801030	Boom retracting wire rope	2	
29	00771100300840000	Extending boom pulley	1	
30	00771100300801030	Non-lubricated bearing II	2	
31	00771100300810000	Telescopic cylinder	1	
32	00771100300801110	Pulley side slider	2	
33	1040302489	Washer 10-200HV	9	GB/T97.1-2002
34	1040004620	Bolt M10×150-8.8	2	GB/T5782-2000

## Boom assembly 0077110031000000

BOOM

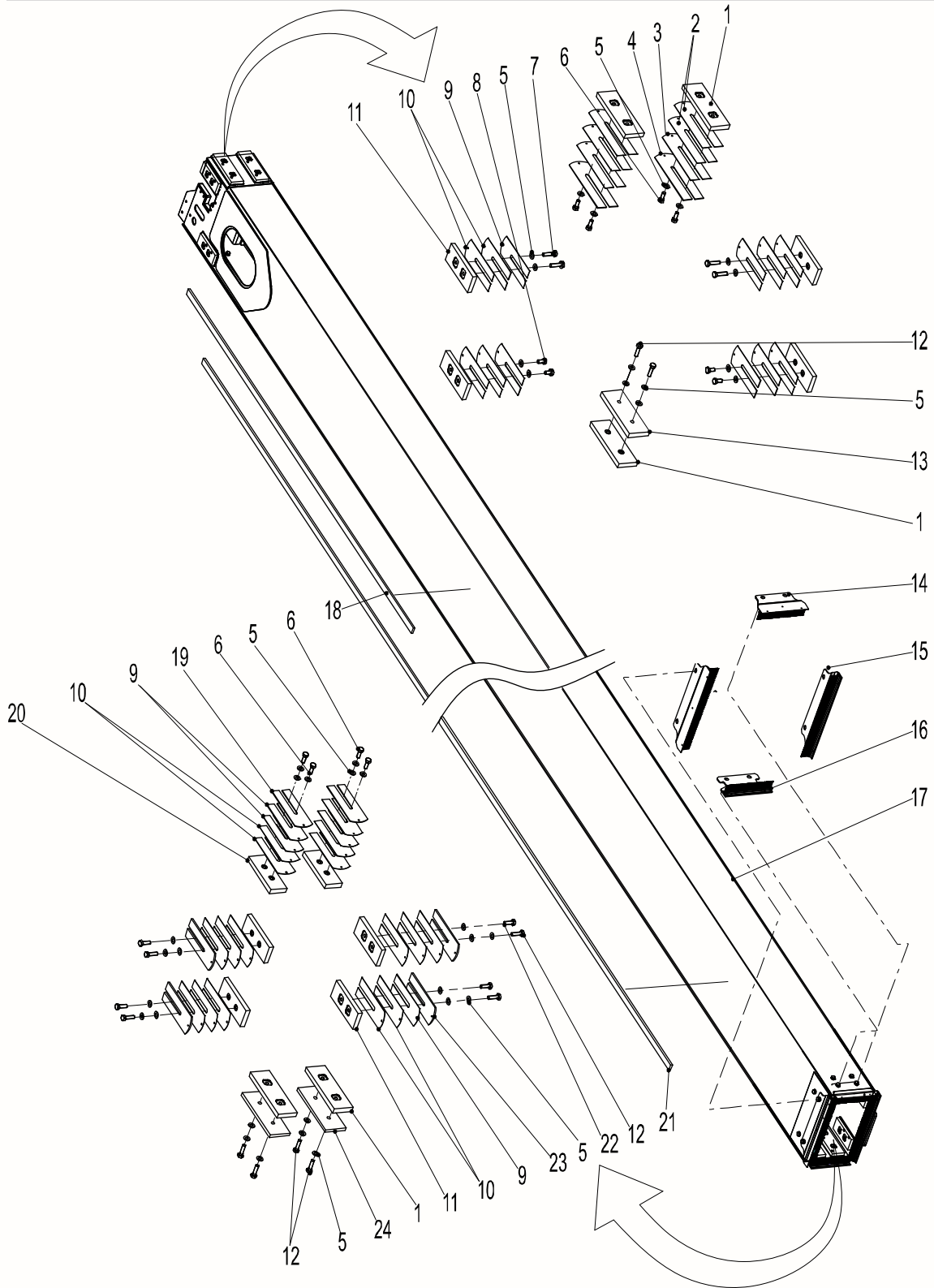


**Boom assembly 0077110031000000**

<b>NO.</b>	<b>Material No.</b>	<b>Item and Spec</b>	<b>Unit</b>	<b>Remark</b>
35	1040004594	Bolt M10×140-8.8	2	GB/T5782-2000
36	1040004554	Bolt M10×130-8.8	2	GB/T5782-2000
37	00771100310801120	Pulley slider	1	
38	1040200113	Nut M10-8	4	GB/T6170-2000
39	00771400301241020	T Nut	2	
40	00771100300830000	Extending boom pulley pin	1	
41	1040301502	Washer 10	1	GB/T93-1987
42	1040002433	Bolt M10×20-8.8	1	GB/T5783-2000

## Boom assembly 0077110031000000

BOOM

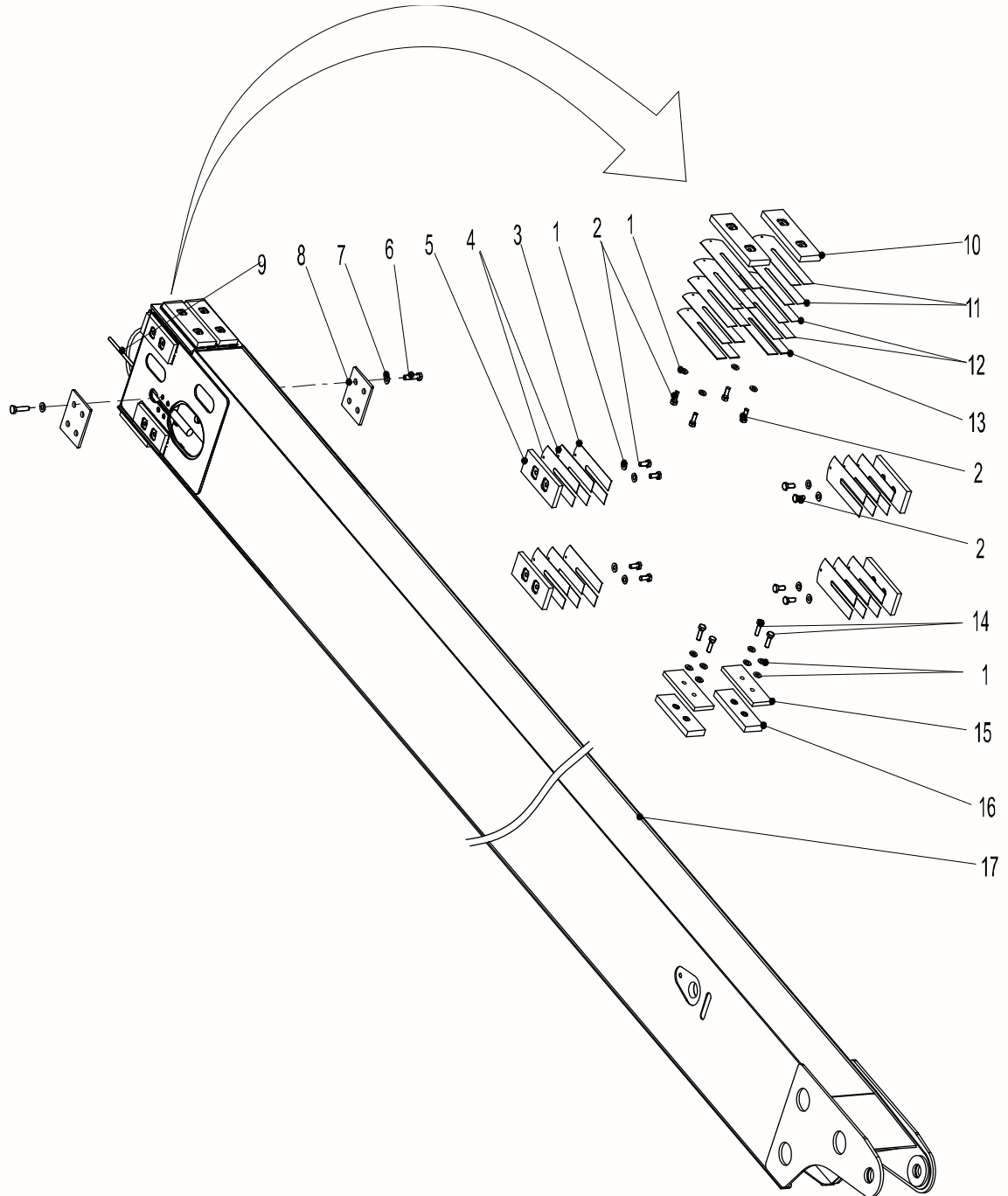


## Boom assembly 0077110031000000

NO.	Material No.	Item and Spec	Unit	Remark
1	00771400301240000	Slider	5	
2	00771400301401030	Adjustable Spacer	4	
3	00771400301401020	Adjustable Spacer	2	
4	00771400301401010	Adjustable Spacer	2	
5	1040302489	Washer 10-200HV	40	GB/T97.1-2002
6	1040002434	Bolt M10×25-8.8	8	GB/T5783-2000
7	1040004507	Bolt M10×40-8.8	4	GB/T5783-2000
8	1040002433	Bolt M10×20-8.8	4	GB/T5783-2000
9	00773400300001140	Adjustable Spacer V	12	
10	00773400300001150	Adjustable Spacer VI	20	
11	00771100301250000	Slider	8	
12	1040002435	Bolt M10×35-8.8	10	GB/T5783-2000
13	00771100301401040	Cushion block	1	
14	00771100301420000	Up dustproof f brush	1	
15	00771100301430000	Side dustproof f brush	2	
16	00771100301410000	Down dustproof f brush	1	
17	00771100300400000	Boom weldment	1	
18	00771100301401020	Trigger bar	1	
19	00773400300001130	Adjustable Spacer IV	2	
20	00771400301250000	Slider	2	
21	00771100301401010	Trigger bar	1	
22	1040004565	Bolt M10×30-8.8	4	GB/T5783-2016
23	00771400301401040	Adjustable Spacer	4	
24	00771100301401030	cushion block	2	

## Boom assembly 0077110031000000

BOOM

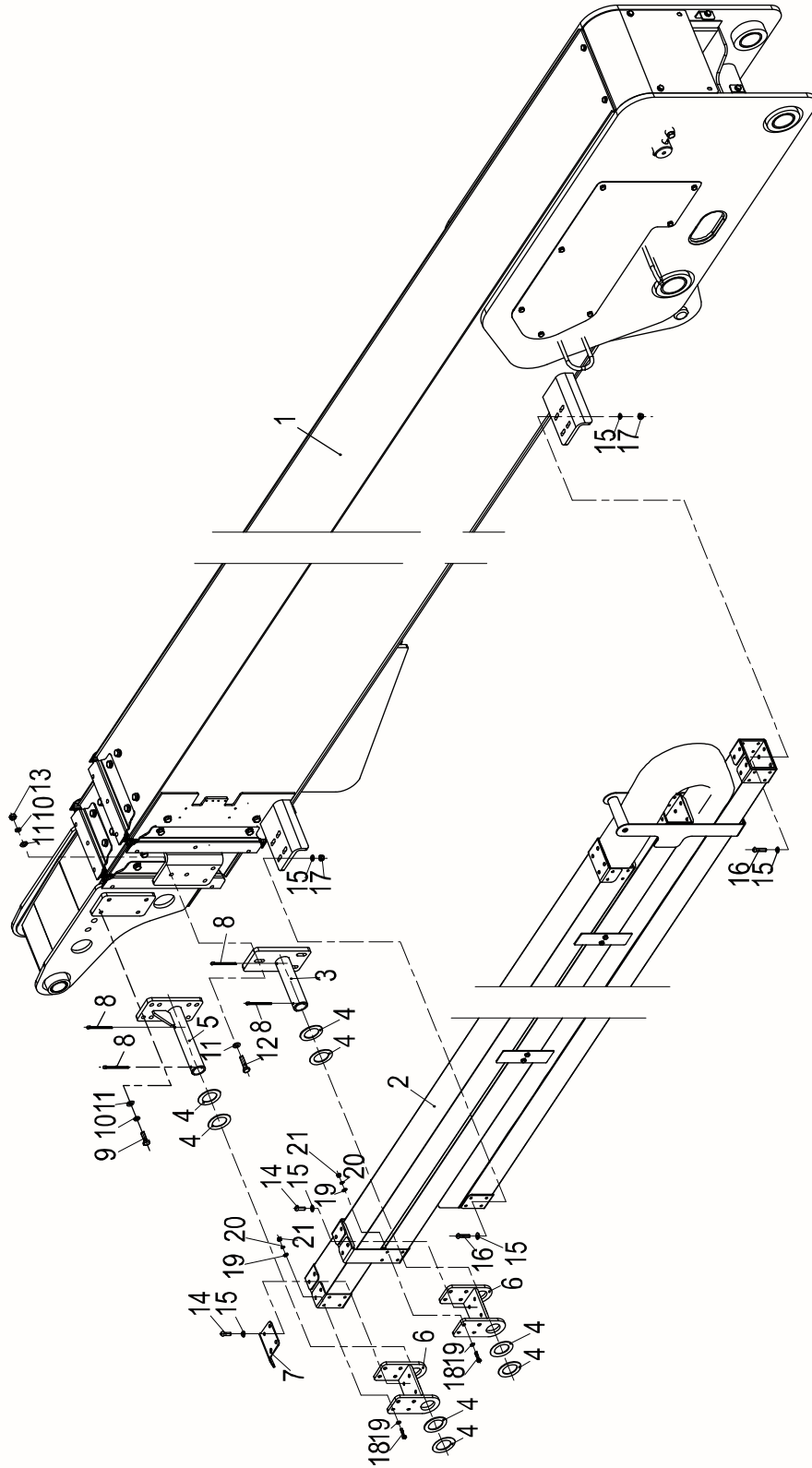




### Boom assembly 0077110031000000

NO.	Material No.	Item and Spec	Unit	Remark
1	1040302489	Washer 10-200HV	20	GB/T97.1-2002
2	1040002434	Bolt M10×25-8.8	12	GB/T5783-2000
3	00773400300001140	Adjustable Spacer V	4	
4	00773400300001150	Adjustable Spacer VI	8	
5	00771100301250000	Slider	4	
6	1040004619	Bolt M8×35-8.8	8	GB/T5783-2000
7	1040301515	Washer 8-200HV	8	GB/T97.1-2002
8	00771100301601030	Retracting boom rope cover plate	2	
9	00771100300801030	Boom retracting wire rope	2	
10	00771400301240000	Slider	2	
11	00771400301401030	Adjustable Spacer	4	
12	00771400301401020	Adjustable Spacer	4	
13	00771400301401010	Adjustable Spacer	2	
14	1040004565	Bolt M10×30-8.8	4	GB/T5783-2016
15	00771400301250000	Slider	2	
16	00771100301601040	cushion block	2	
17	00771100310600000	Telescopic boom	1	

Cable chain system 0077140070000000

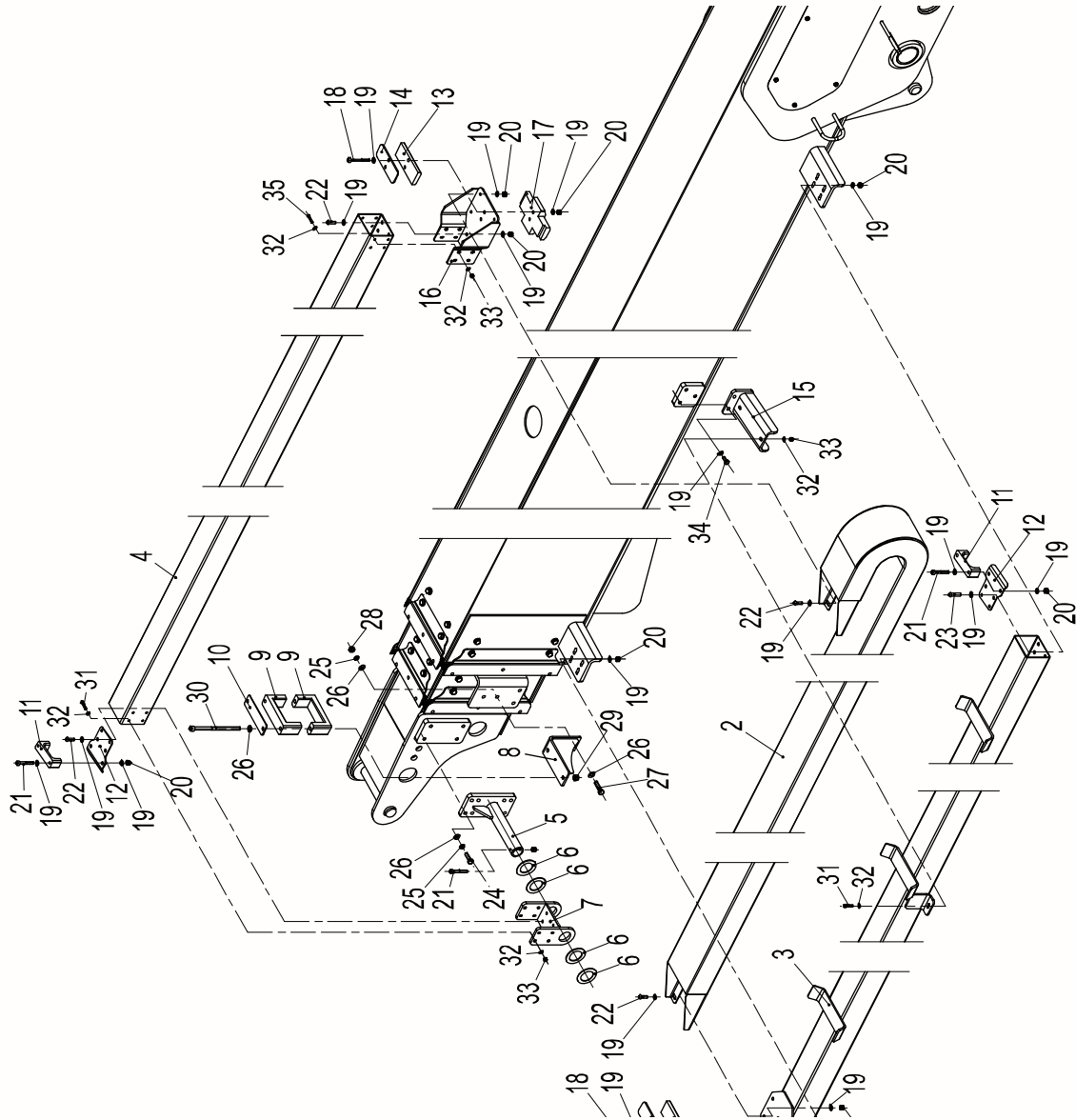


## Cable chain system 0077140070000000

NO.	Material No.	Item and Spec	Unit	Remark
1	00771100310000000	Boom	1	
2	00771100700200000	Cable chain mechanism	1	
3	00771100700600000	Middle bracket	1	
4	00771400700001010	Washer	8	
5	00771100700400000	Mounting bracket I	1	
6	00771400700600000	Swing bracket	2	
7	00771100700001020	Guide plate	1	
8	1040500047	Pin 5×70	4	GB/T 91-2000
9	1040004565	Bolt M10×30-8.8	4	GB/T5783-2000
10	1040301502	Washer 10-200HV	7	GB/T93-1987
11	1040302489	Washer 10-200HV	10	GB/T97.1-2002
12	1040004507	Bolt M10×40-8.8	3	GB/T5783-2000
13	1040200113	Nut M10-8	3	GB/T6170-2000
14	1040102648	Screw M8×25-A2-70	8	GB/T70.2-2000
15	1040301515	Washer 8-200HV	24	GB/T97.1-2002
16	1040103059	Screw M8×35	8	GB/T70.2-2000
17	1040200503	Nut M8-8	8	GB/T889.1-2000
18	1040001640	Bolt M6×25-A2-70	16	GB/T5783-2000
19	1040300771	Washer 6-200HV	32	GB/T97.1-2002
20	1040301610	Washer 6	16	GB/T93-1987
21	1040201865	Nut M6-8	16	GB/T6170-2000

Cable chain system 0077110072000000

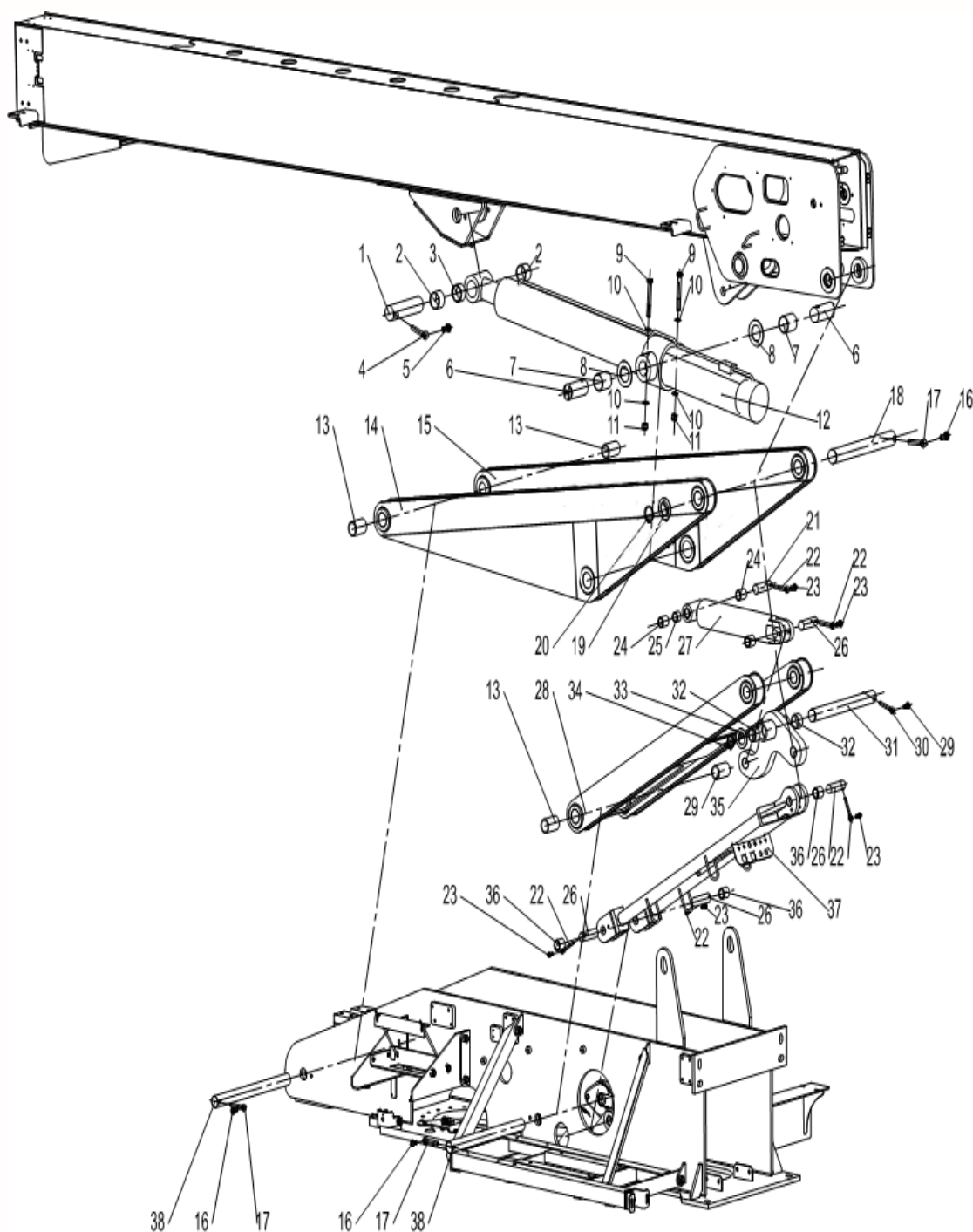
BOOM



## Cable chain system 0077110072000000

NO.	Material No.	Item and Spec	Unit	Remark
1	0077110031000000	Boom	1	
2	00771100721200000	Steel chain	1	
3	00771100720600000	Fixed aluminum pipe welds	1	
4	00771100720001010	Adjustable aluminum pipe	1	
5	00771100720800000	Front bracket	1	
6	00771400700001010	Washer	4	
7	00771400721400000	Swing bracket	1	
8	00771100720400000	Middle support	1	
9	00771100720001040	Slide rest	2	
10	00771100720001060	Carriage board	1	
11	00771100720001100	Clip	3	
12	00771100720001090	Pipeline plate	3	
13	00771100720001070	Pipeline pressure block	2	
14	00771100720001080	Pipeline pressure plate	2	
15	00771100721000000	Support frame	1	
16	00771100720200000	Up adapter	1	
17	00771100720001050	Slider	1	
18	1040102037	Screw M8×70-8.8	4	GB/T70.1-2000
19	1040301515	Washer 8-200HV	67	GB/T97.1-2002
20	1040200503	Nut M8-8	31	GB/T889.1-2015
21	1040102738	Screw M8×55-8.8	7	GB/T70.1-2000
22	1040102648	Screw M8×25-A2-70	16	GB/T70.2-2000
23	1040103059	Screw M8×35-A2-70	8	GB/T70.2-2000
24	1040004565	Bolt M10×30-8.8	4	GB/T5783-2000
25	1040301502	Washer 10	6	GB/T93-1987
26	1040302489	Washer 10-200HV	10	GB/T97.1-2002
27	1040004507	Bolt M10×40-8.8	2	GB/T5783-2000
28	1040200113	Nut M10-8	2	GB/T6170-2000
29	1040200504	Nut M10-8	2	GB/T889.1-2000
30	1040103124	Screw M10×170-8.8	2	GB/T70.1-2000
31	1040100105	Screw M6×25-A2-70	10	GB/T70.1-2000
32	1040300771	Washer 6	36	GB/T97.1-2002
33	1040201896	Nut M6-8	18	GB/T889.1-2015

## Linkage 0077110061000000

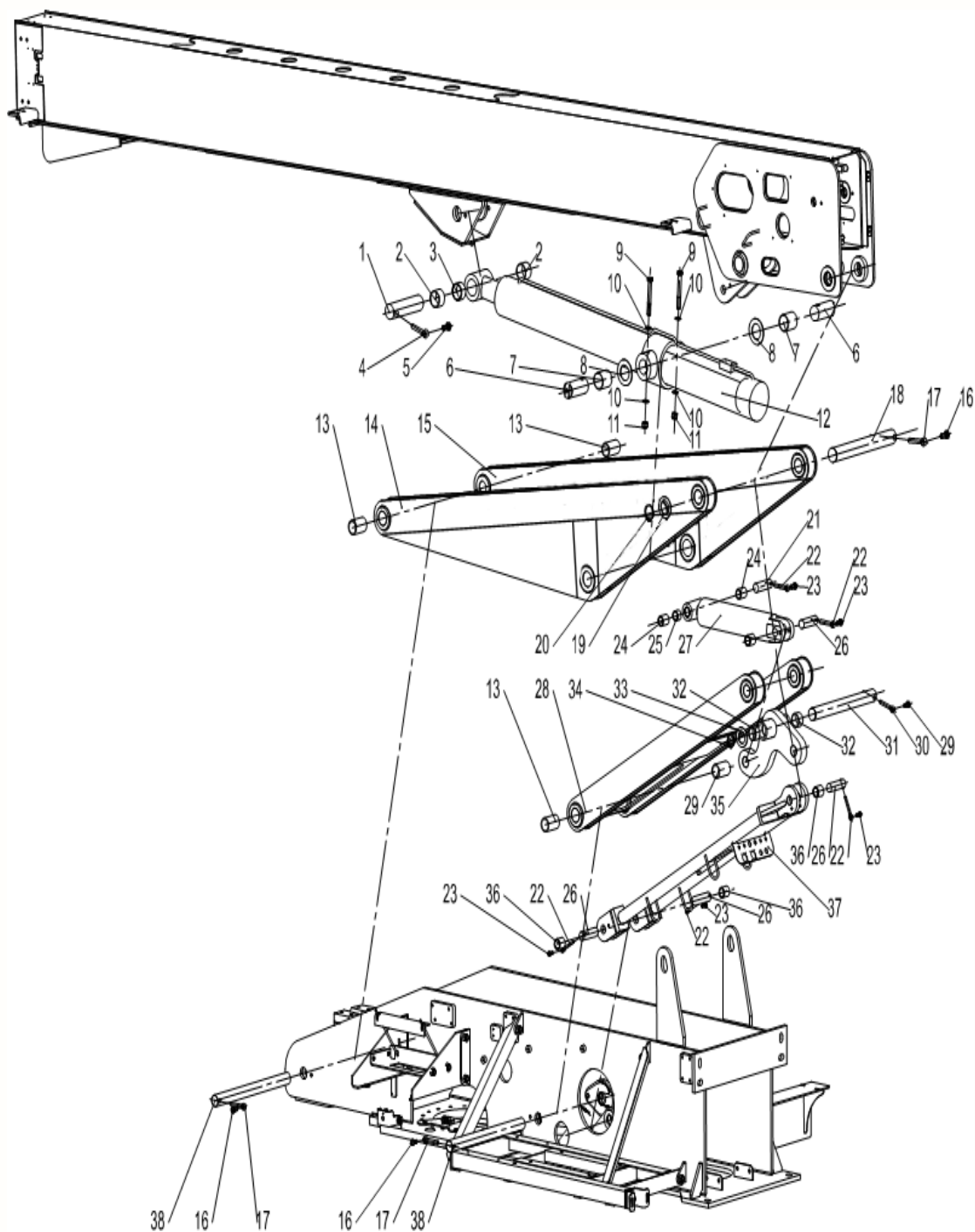


BOOM

## Linkage 0077110061000000

NO.	Material No.	Item and Spec	Unit	Remark
1	00771100300001010	Pin	1	
2	00771100600001060	Non-lubricated bearing	2	
3	00771100600001100	Spacer bush	1	
4	00773400200001070	Stop pin	1	
5	1040004499	Bolt M20×45-8.8	1	GB/T5783-2000
6	00771100610001050	Pin	2	
7	00771100610001040	Non-lubricated bearing	2	
8	00771100600001070	Spacer	2	
9	1040004606	Bolt M20×160-10.9	2	GB/T5783-2000
10	1040301033	Washer 20-8-200HV	4	GB/T 97.1-2002
11	1040200741	Nut M20-10	2	GB/T 889.1-2000
12	00771100600800000	lifting cylinder	1	
13	00771100610001030	Non-lubricated bearing	4	
14	00771100611000000	Rear-right Linkage	1	
15	00771100610200000	Rear-left Linkage	1	
16	1040004499	Bolt M20×45-8.8	1	GB/T5783-2000
17	00773400400001170	Stop pin	1	
18	00771100610001020	Pin	1	
19	00771100600001090	Washer	1	
20	1040300568	Ring 65	1	GB/T894.2-1986
21	00771100300001010	Pin	1	
22	00773400200001070	Stop pin	5	
23	1040004511	Bolt M12×30-8.8	5	GB/T5783-2000
24	00771400301601020	Non-lubricated bearing	2	
25	00771100300001060	Piston rod spacer bush	1	
26	00771100600601010	Pin	4	
27	00771100600630000	Leveling cylinder	1	
28	00771100610400000	Front linkage	1	
29	1040004570	Bolt M16×30-8.8	1	GB/T5783-2000
30	00773400400001250	Stop pin	1	
31	00771100610001010	Pin	1	
32	00771100600601020	Non-lubricated bearing	2	
33	00771100600001080	Washer	1	
34	1040300321	Ring 55	1	GB/T894.2-1986

## Linkage 0077110061000000





**Linkage 00771100610000000**

<b>NO.</b>	<b>Material No.</b>	<b>Item and Spec</b>	<b>Unit</b>	<b>Remark</b>
35	00771100600620000	Leveling swing boom	1	
36	00771400301601020	Non-lubricated bearing	4	
37	00771100600610000	Leveling rod	1	
38	00771100800001050	Pin	2	

# **ZOOMLION**

**Parts Manual**

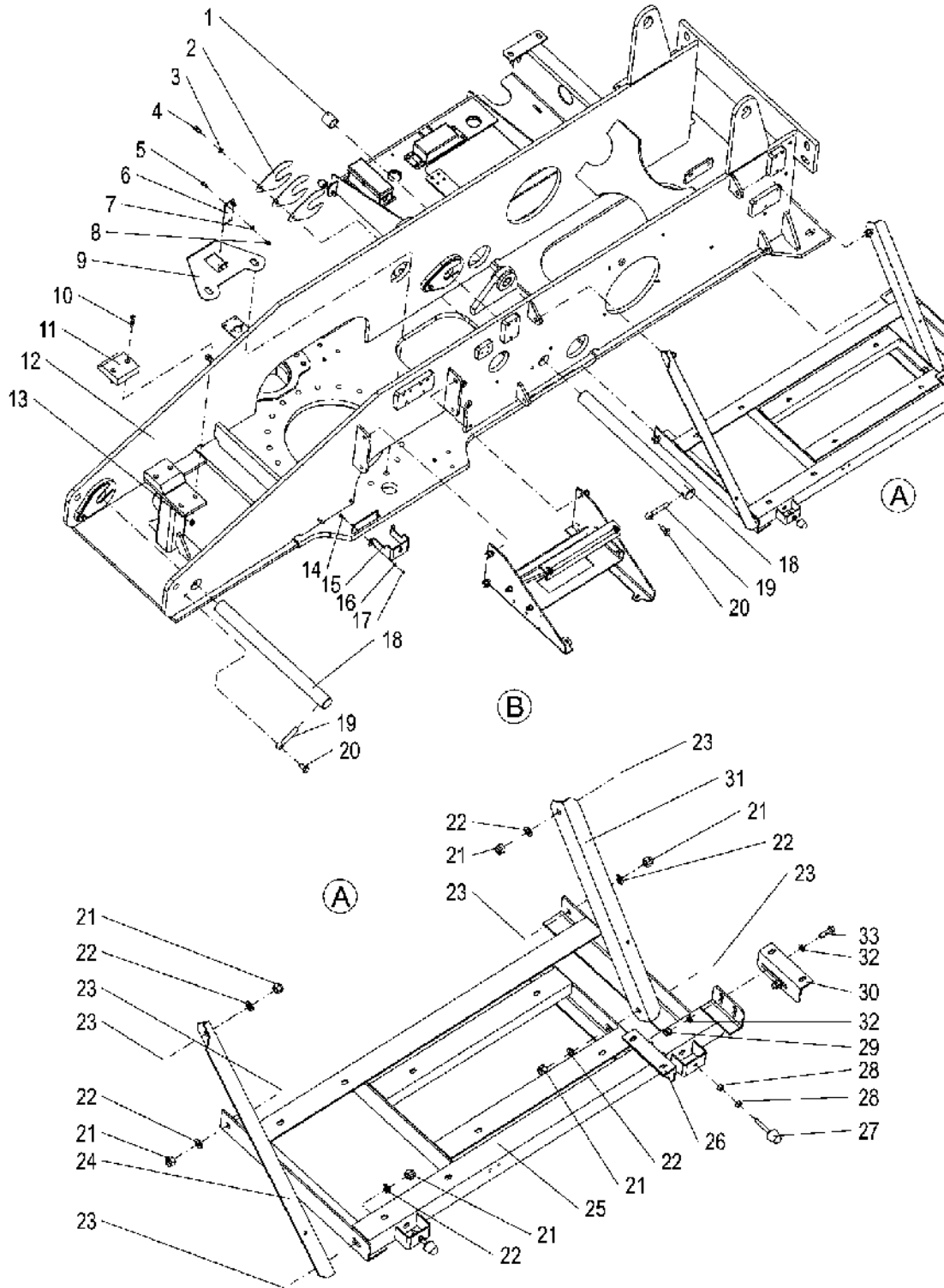
**Section 3 Turntable**





## Turntable assembly 0077110080000000(Perkins)

TURNTABLE

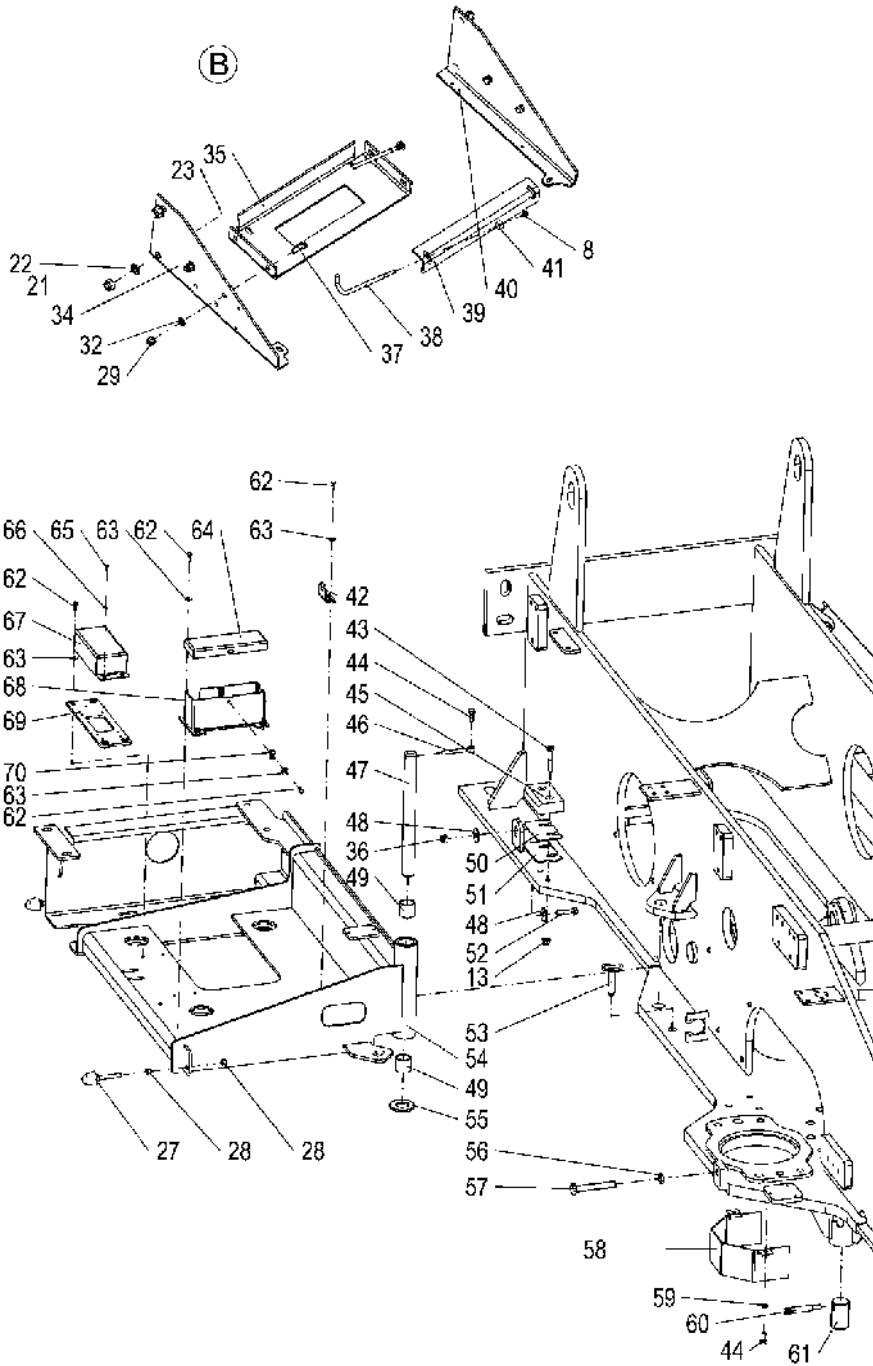


### Turntable assembly 0077110080000000(Perkins)

NO.	Material No.	Item and Spec	Unit	Remark
1	00771400301601020	Non-lubricated bearing	2	
2	00771100800001100	Linkage clearance adjusting plate	12	
3	1040301503	Washer12	2	GB/T93-1987
4	1040005846	Bolt M12×20-8.8	6	GB/T5783-2000
5	1040004519	Bolt M8×25-8.8	2	GB/T5783-2000
6	00771100800001090	Swinging angle switch support	1	
7	1040301515	Washer8-200HV	2	GB/T97.1-2002
8	1040200503	Nut M8-8	4	GB/T889.1-2000
9	00771100801400000	Swivel joint bracket	1	
10	1040101493	Screw M10×55-8.8	4	GB/T70.1-2000
11	00771100800001010	Boom bumper block	2	
12	00771100800200000	Turntable welds	1	
13	1040201523	Lock nut M10-10	6	GB/T 6183.1-2000
14	1040001640	Bolt M6×25-A2-70	2	GB/T5783-2000
15	00771400800001120	Electrical switch support	1	
16	1040300771	Washer6-200HV	2	GB/T97.1-2002
17	1040201896	Nut M6-8	2	GB/T889.1-2015
18	00771100800001050	Pin	2	
19	00773400400001250	Stop pin	2	
20	1040004570	Bolt M16×30-8.8	2	GB/T5783-2000
21	1040200161	Nut M16-8	11	GB/T889-1986
22	1040302492	Washer16-200HV	13	GB/T97.1-2002
23	1040002447	Bolt M16×45-8.8	11	GB/T5783-2000
24	00771100800801010	Support I	1	
25	00771100800810000	Right side support welds	1	
26	00771100800801070	Electrical cabinet support II	1	
27	1040004678	Door stop bolt M10×70	4	
28	1040200113	Nut M10	8	GB/T6170-2000
29	1040200507	Nut M12-8	11	GB/T889.1-2000
30	00771100800801060	Electrical cabinet Support I	1	
31	00771100800801030	Support II	1	
32	1040302490	Washer12-200HV	4	GB/T97.1-2002
33	1040002439	Bolt M12×40-8.8	4	GB/T5783-2000

**Turntable assembly 0077110080000000(Perkins)**

TURNTABLE

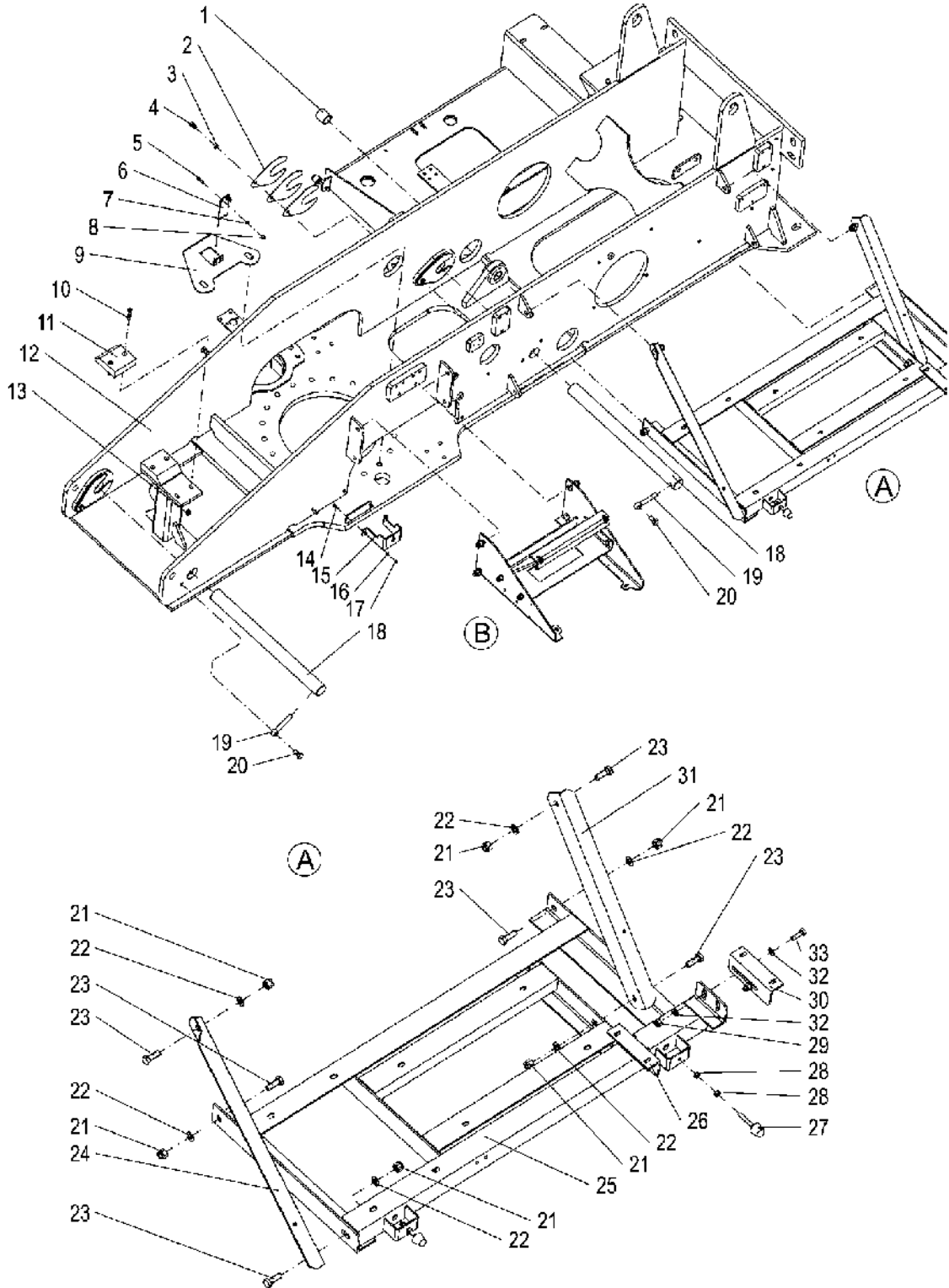


### Turntable assembly 0077110080000000(Perkins)

NO.	Material No.	Item and Spec	Unit	Remark
34	00771100800401020	Main valve support II	1	
35	00771100800401040	Battery support II	1	
37	1040002437	Bolt M12×35-8.8	4	GB/T5783-2000
38	00771100800401050	Battery mounting rod	2	
39	00771100800401030	Battery support I	1	
40	00771100800401010	Main valve support I	1	
41	1040302480	Washer8-200HV	6	GB/T96.1-2002
42	00773400830201020	Baffle	1	
43	1040103120	Screw M10×60-8.8	2	GB/T70.1-2000
44	1040002434	Bolt M10×25-8.8	3	GB/T5783-2000
45	00771100800001020	Tray bumper block	1	
46	00773400300001200	Stop pinΦ10	1	
47	00771100800001110	Tray axle Φ32	1	
48	1040301031	Washer12-300HV	2	GB/T96.1-2002
49	00773400800001010	Bearing	2	
50	00771100800001140	Tray washer II	1	
51	00771100800001130	Tray washer I	1	
52	1040004608	Bolt M12×45-8.8	1	GB/T5782-2000
53	00773400801400000	Tray plug pin	1	
54	00771100801800000	Engine support	1	
55	00773400800001150	Friction plate	1	
56	1040201882	Nut M16	1	GB/T6172-2000
57	1040004615	Bolt M16×110-10.9	1	GB/T5783-2000
58	00771100800001030	Gear cover	1	
59	1040301502	Washer10	2	GB/T93-1987
60	1040100714	Screw M12×130-8.8	1	GB/T70.1-2000
61	00771100800001080	Lock pin	1	
62	1040002555	Bolt M6×60-A2-70	12	GB/T5783-2000
63	1040300735	Washer6-200HV	12	GB/T96.1-2002
64	00773400830201010	Cover	1	
65	1040004591	Bolt M4×8-A2-70	11	GB/T5783-2000
66	1040302410	Washer4-200HV	11	GB/T97.1-2002
67	00773400830601020	Control box cover	1	
68	00773400830210000	Base	1	
69	00773400830601010	Connecting plate	1	
70	1040201743	Nut M6	2	QC/T608-2011

**Turntable assembly 0077110081000000(DeutzD447)**

TURNTABLE

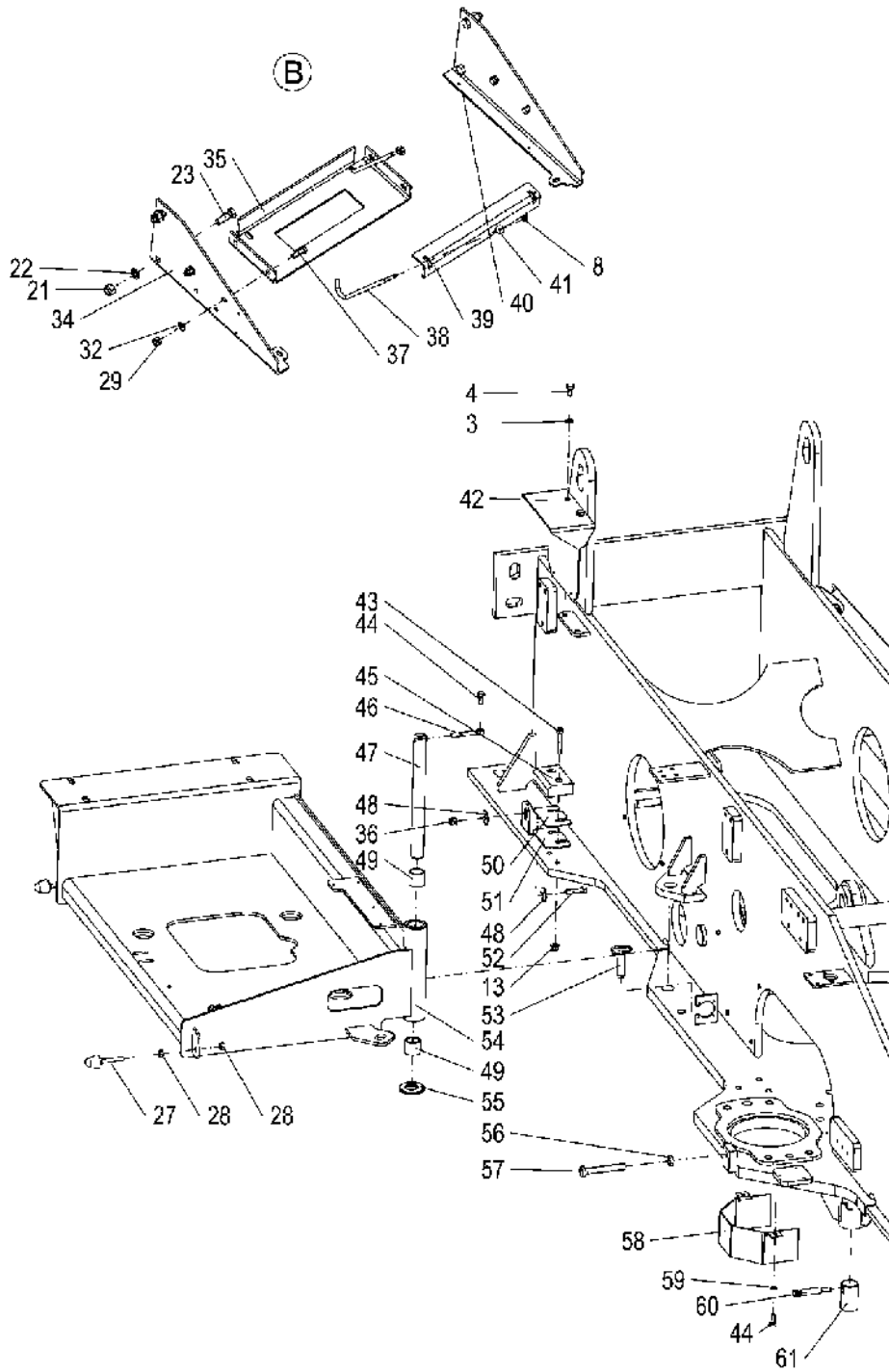




### Turntable assembly 0077110081000000 (DeutzD447)

NO.	Material No.	Item and Spec	Unit	Remark
1	00771400301601020	Non-lubricated bearing	2	
2	00771100800001100	Linkage clearance adjusting plate	12	
3	1040301503	Washer12	2	GB/T93-1987
4	1040005846	Bolt M12×20-8.8	6	GB/T5783-2000
5	1040004519	Bolt M8×25-8.8	2	GB/T5783-2000
6	00771100800001090	Swinging angle switch support	1	
7	1040301515	Washer8-200HV	2	GB/T97.1-2002
8	1040200503	Nut M8-8	4	GB/T889.1-2000
9	00771100801400000	Swivel joint bracket	1	
10	1040101493	Screw M10×55-8.8	4	GB/T70.1-2000
11	00771100800001010	Boom bumper block	2	
12	00771100800200000	Turntable welds	1	
13	1040201523	Lock nut M10-10	6	GB/T 6183.1-2000
14	1040001640	Bolt M6×25-A2-70	2	GB/T5783-2000
15	00771400800001120	Electrical switch support	1	
16	1040300771	Washer6-220HV	2	GB/T97.1-2002
17	1040201896	Nut M6-8-8.8	2	GB/T889.1-2015
18	00771100800001050	Pin	2	
19	00773400400001250	Stop pin	2	
20	1040004570	Bolt M16×30-8.8	2	GB/T5783-2000
21	1040200161	Nut M16-8	11	GB/T889-1986
22	1040302492	Washer16-200HV	13	GB/T97.1-2002
23	1040002447	Bolt M16×45-8.8	11	GB/T5783-2000
24	00771100800801010	Support I	1	
25	00771100800810000	Right support welds	1	
26	00771100800801070	Electrical cabinet Support II	1	
27	1040004678	Door knob bolt M10×70	4	
28	1040200113	Nut M10	8	GB/T6170-2000
29	1040200507	Nut M12-8	11	GB/T889.1-2000
30	00771100800801060	Electrical cabinet Support I	1	
31	00771100800801030	Support II	1	
32	1040302490	Washer12-200HV	4	GB/T97.1-2002
33	1040002439	Bolt M12×40-8.8	4	GB/T5783-2000

## Turntable assembly 0077110081000000 (DeutzD447)



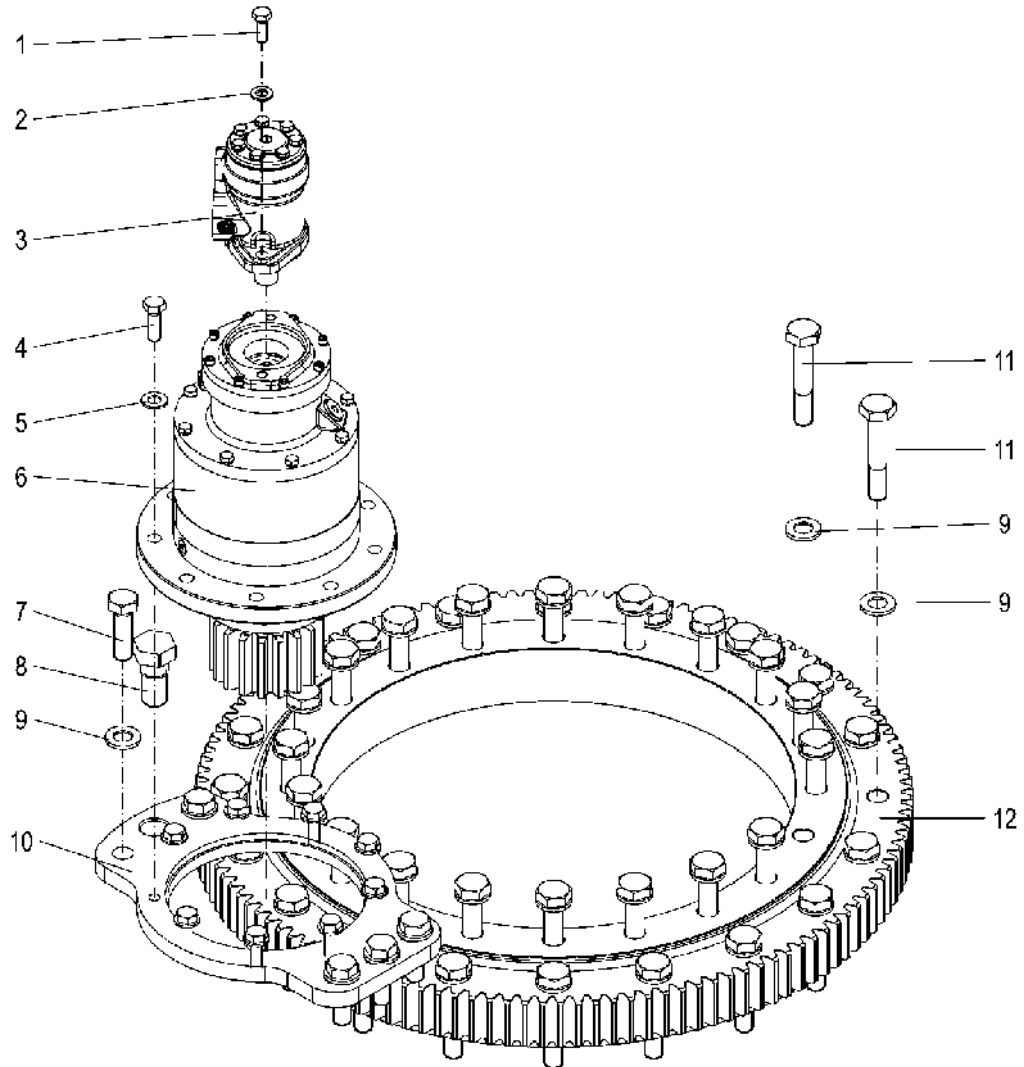
TURNTABLE

### Turntable assembly 0077110081000000 (DeutzD447)

NO.	Material No.	Item and Spec	Unit	Remark
34	00771100800401020	Main valve support II	1	
35	00771100800401040	Battery support II	1	
37	1040002437	Bolt M12×35-8.8	4	GB/T5783-2000
38	00771100800401050	Battery mounting rod	2	
39	00771100800401030	Battery Support I	1	
40	00771100800401010	Main valve support I	1	
41	1040302480	Washer8-200HV	6	GB/T96.1-2002
42	00771100802000000	ECU water-proof cover	1	
43	1040103120	Screw M10×60-8.8	2	GB/T70.1-2000
44	1040002434	Bolt M10×25-8.8	3	GB/T5783-2000
45	00771100800001020	Tray bumper block	1	
46	00773400300001200	Stop pin	1	
47	00771100800001110	Tray axle	1	
48	1040301031	Washer12-300HV	2	GB/T96.1-2002
49	00773400800001010	Bearing	2	
50	00771100800001140	Tray washer II	1	
51	00771100800001130	Tray washer I	1	
52	1040004608	Bolt M12×45-8.8	1	GB/T5782-2000
53	00773400801400000	Tray plug pin	1	
54	00771100801600000	Engine support	1	
55	00773400800001150	Friction plate	1	
56	1040201882	Nut M16-10.9	1	GB/T6172-2000
57	1040004615	Bolt M16×110-10.9	1	GB/T5783-2000
58	00771100800001030	Gear cover	1	
59	1040301502	Washer10	2	GB/T93-1987
60	1040100714	Screw M12×130-8.8	1	GB/T70.1-2000
61	00771100800001080	Lock pin	1	

## Slewing mechanism 0077110090000000

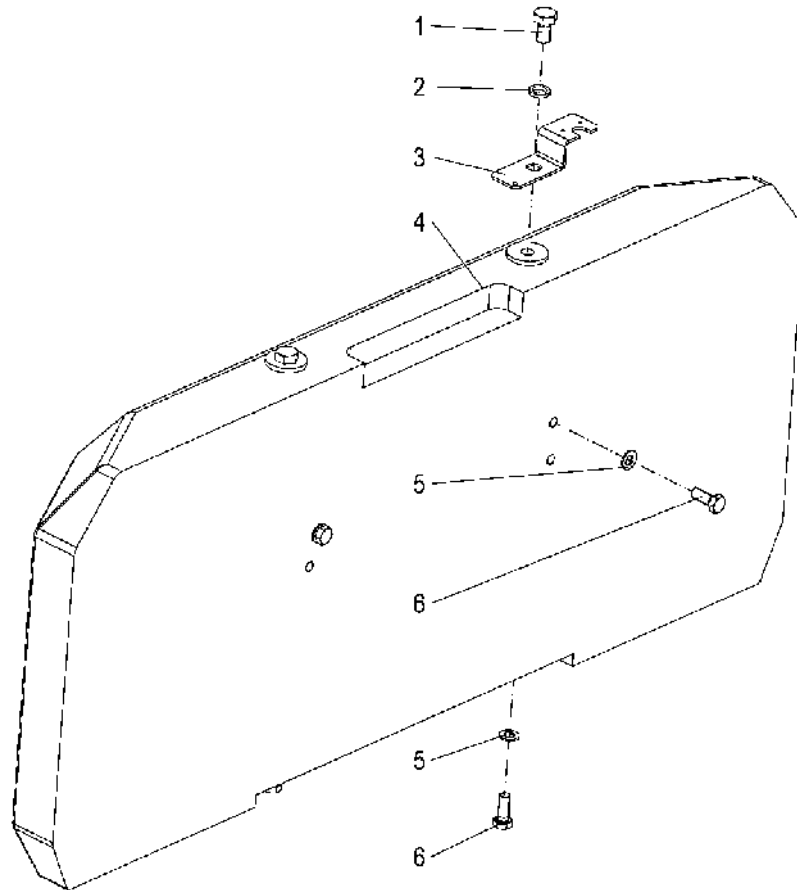
TURNABLE



## Slewing mechanism 00771100900000000

NO.	Material No.	Item and Spec	Unit	Remark
1	1040004511	Bolt M12×30-8.8	2	GB/T5783-2000
2	1040302490	Washer12-200HV	2	GB/T97.1-2002
3	1010100843	Slewing motor	1	
4	1040004513	Bolt M14×40-10.9	9	GB/T5783-2000
5	1040302491	Washer14-200HV	9	GB/T97.1-2002
6	1030202187	Slewing reducer	1	
7	1040004614	Bolt M20×65-10.9	5	GB/T5782-2000
8	00771100900001020	Locating pin	1	
9	1040302502	Washer20	45	GB/T1230-1991
10	00771100900001010	Reducer connecting plate	1	
11	1040004529	Bolt M20×110-10.9	40	GB/T1228-1991
12	1031500345	Slewing bearing	1	

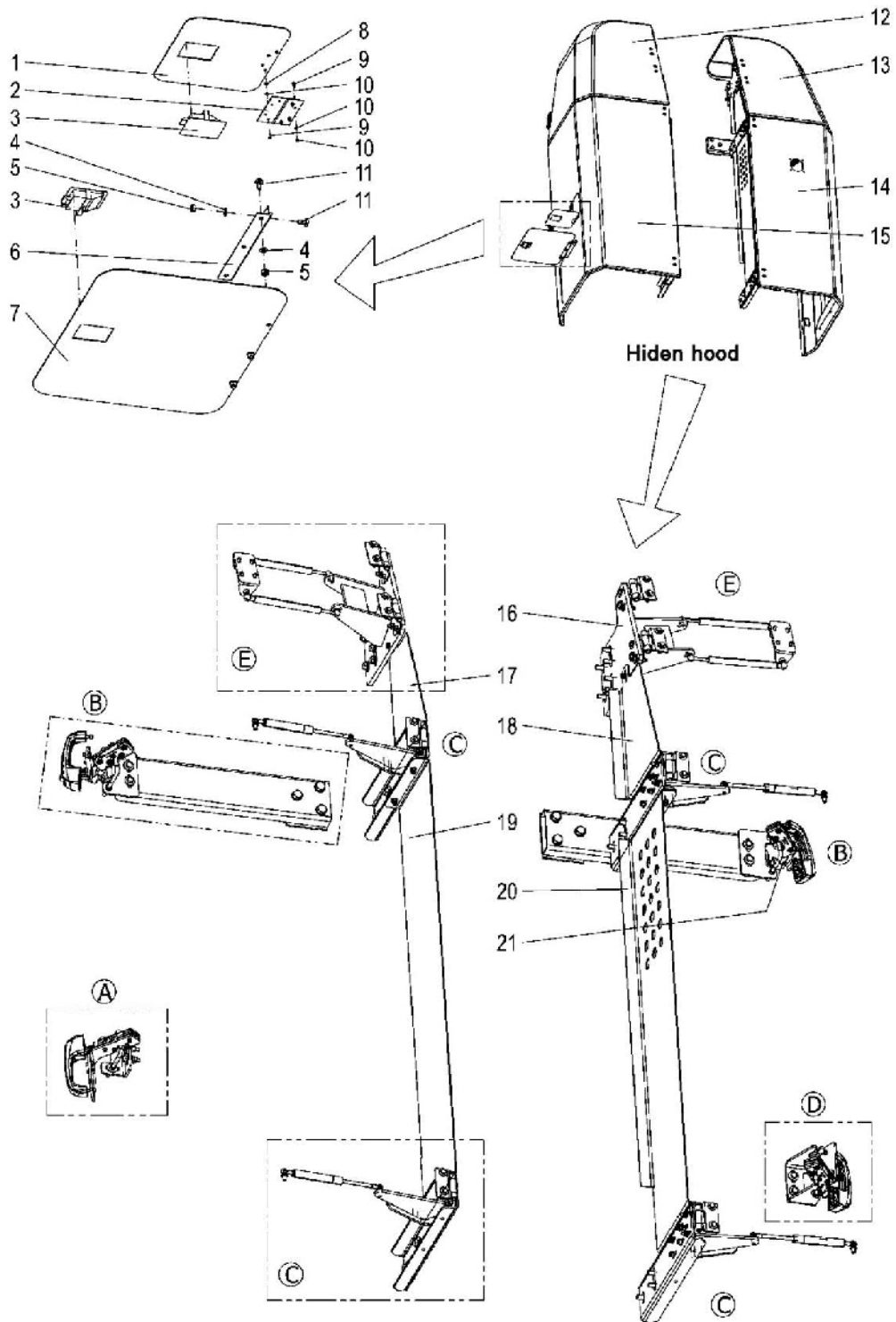
## Counterweight 0077110100000000



**Counterweight 0077110100000000**

<b>NO.</b>	<b>Material No.</b>	<b>Item and Spec</b>	<b>Unit</b>	<b>Remark</b>
1	1040004500	Bolt M30×50-8.8	2	GB/T5783-2000
2	1040301808	Washer30	1	GB/T93-2000
3	00771101000001020	Alarm light support	1	
4	00771101000001010	Counterweight block	1	
5	1040301511	Washer 24-200HV	4	GB/T97.1-2002
6	1040004613	Bolt M24×60-10.9	4	GB/T5782-2000

## Hood 0077110110000000



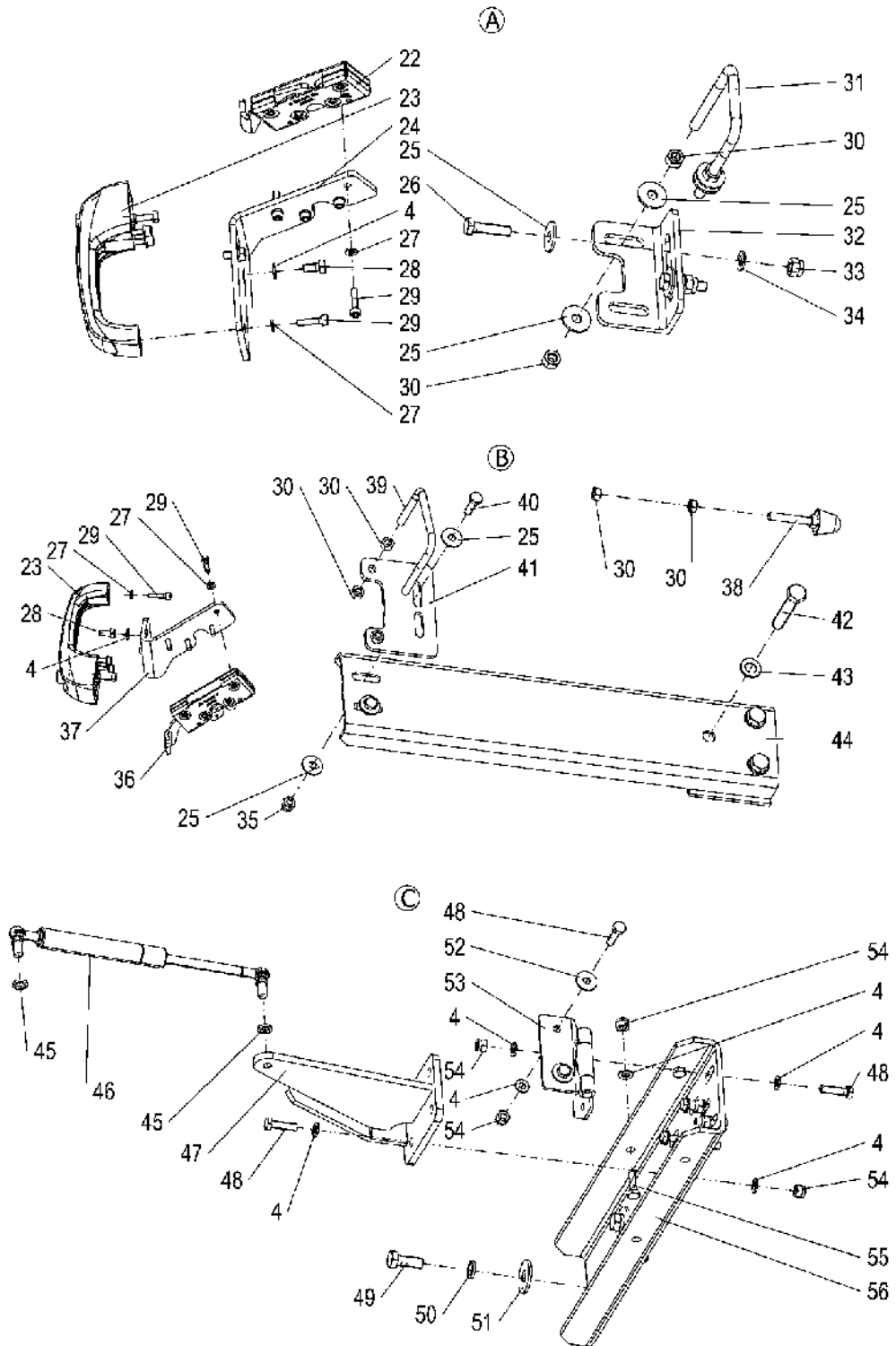


## Hood 00771101100000000

NO.	Material No.	Item and Spec	Unit	Remark
1	00771101103201010	Plate	1	
2	199905631	Hinge	1	
3	1109800044	Tongue type lock	2	
4	1040301515	Washer 8-200HV	121	GB/T97.1-2002
5	1040201089	Nut M8-8	5	GB/T6170-2000
6	1101000152	Hinge	1	
7	00771101103001010	Door plate	1	
8	1040201772	Nut M4-A2-70	8	GB/T6170-2000
9	1040302410	Washer4-200HV	8	GB/T97.1-2002
10	1040103120	Screw M4×20-A2-70	8	GB/T70.1-2008
11	1040103122	Screw M8×16-4.8	5	GB/T818-2000
12	00771101100800000	Rear-right hood welds	1	
13	00771101100600000	Rear-left hood welds	1	
14	00771101100400000	Front-left hood welds	1	
15	00771101100200000	Front-right hood welds	1	
16	00771101101200000	Rear-left hood support	1	
17	00771101100001010	Right side close plate I	1	
18	00771101100001110	Left side close plate I	1	
19	00771101100001100	Right side close plate II	1	
20	00771101100001030	Left side close plate II	1	
21	00771101100001080	Key cylinder mounting plate	1	

## Hood 0077110110000000

TURNABLE

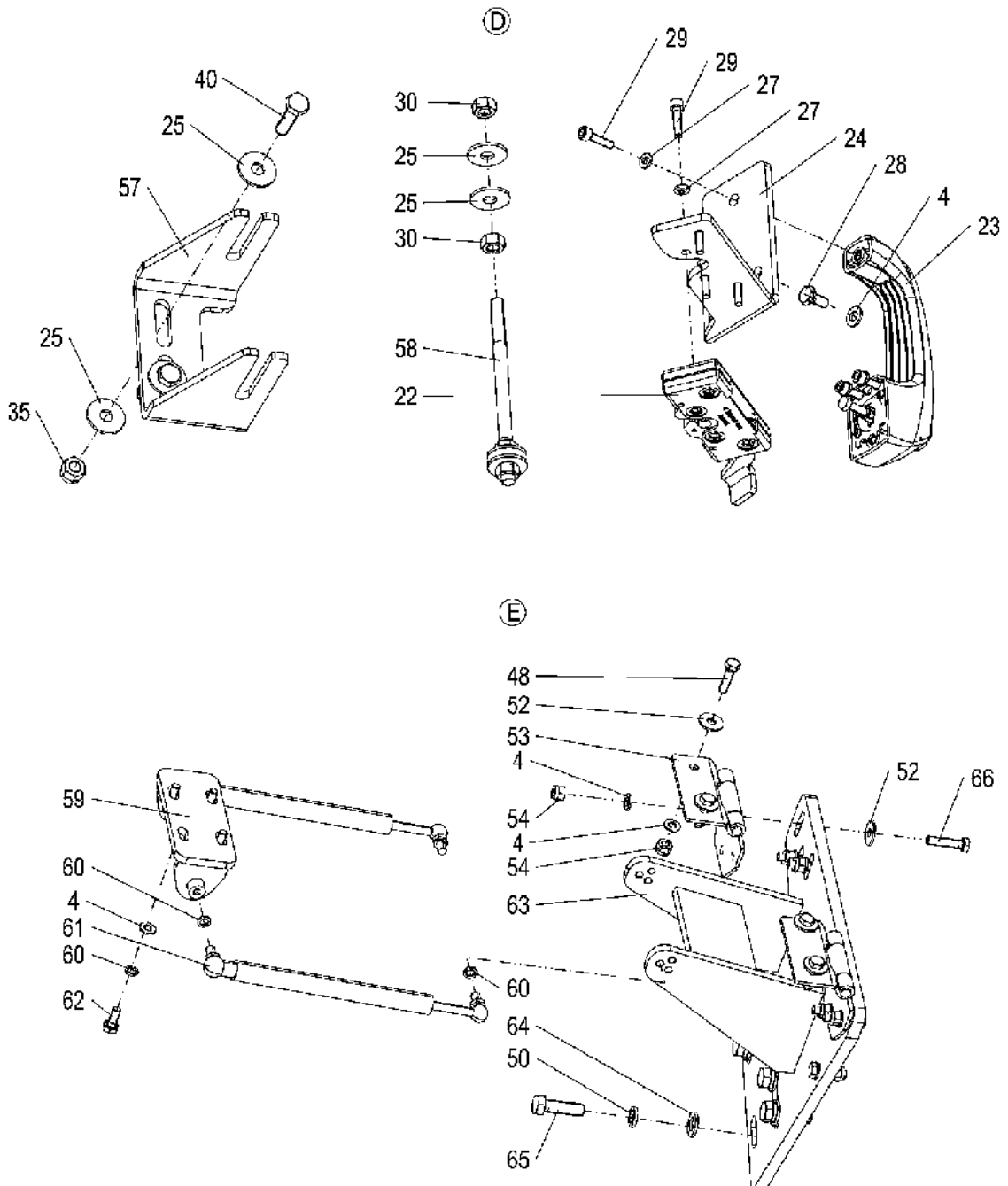


## Hood 00771101100000000

NO.	Material No.	Item and Spec	Unit	Remark
22	1109900765	Door lock	3	
23	1100700163	Door knob	4	
24	00771101100001050	Key cylinder mounting plate	2	
25	1040302512	Washer10-200HV	22	GB/T96.1-2002
26	1040002463	Bolt M10×40-8.8	2	GB/T5782-2000
27	1040300771	Washer6-200HV	28	GB/T97.1-2002
28	1040004517	Bolt M8×16-8.8	8	GB/T5783-2000
29	1040100105	Screw M6×25-8.8	28	GB/T70.1-2000
30	1040200113	Nut M10-8	22	GB/T6170-2000
31	00771101101801010	Round steel	1	
32	00771101101801020	Plate	1	
33	1040200504	Nut M10-8	2	GB/T889.1-2000
34	1040302489	Washer10-200HV	2	GB/T97.1-2002
35	1040201875	Nut M10-8	6	GB/T889.1-2000
36	1109900766	Door lock	3	
37	00771101100001020	Key cylinder mounting plate	1	
38	1040004678	Door knob bolt M10×70	2	
39	00771101102001020	Round steel	2	
40	1040002435	Bolt M10×35-8.8	6	GB/T5783-2000
41	00771101102001010	Right rear lock seat plate	2	
42	1040002450	Bolt M16×80-8.8	6	GB/T5783-2000
43	1040302492	Washer16-200HV	6	GB/T97.1-2002
44	00771101102800000	Rear lock seat support	2	
45	1040301502	Washer10	8	GB/T93-1987
46	1110100317	Gas spring	4	
47	00771101102400000	Front gas spring support	4	
48	1040004520	Bolt M8×30-8.8	46	GB/T5783-2000
49	1040004511	Bolt M12×30-8.8	12	GB/T5783-2000
50	1040301503	Washer12	24	GB/T93-1987
51	1040301031	Washer12-300HV	12	GB/T96.1-2002
52	1040302480	Washer8-200HV	28	GB/T96.1-2002
53	1101000089	Hinge	8	
54	1040200503	Nut M8-8	70	GB/T889.1-2000
55	1040004519	Bolt M8×25-8.8	12	GB/T5783-2000
56	00771101100001040	Front hood support	4	

## Hood 0077110110000000

TURNABLE



**Hood 0077110110000000**

<b>NO.</b>	<b>Material No.</b>	<b>Item and Spec</b>	<b>Unit</b>	<b>Remark</b>
57	00771101101601010	Lock seat plate	1	
58	00771101101601020	Round steel	1	
59	00771101102600000	Rear gas spring support	2	
60	1040301510	Washer8	16	GB/T93-1987
61	1110100301	Gas spring	4	
62	1040004518	Bolt M8×20-8.8	8	GB/T5783-2000
63	00771101101000000	Right rear hood Support	1	
64	1040302490	Washer12-200HV	12	GB/T97.1-2002
65	1040002439	Bolt M12×40-8.8	12	GB/T5783-2000
66	1040004619	Bolt M8×35-8.8	12	GB/T5783-2000

# **ZOOMLION**

**Parts Manual**

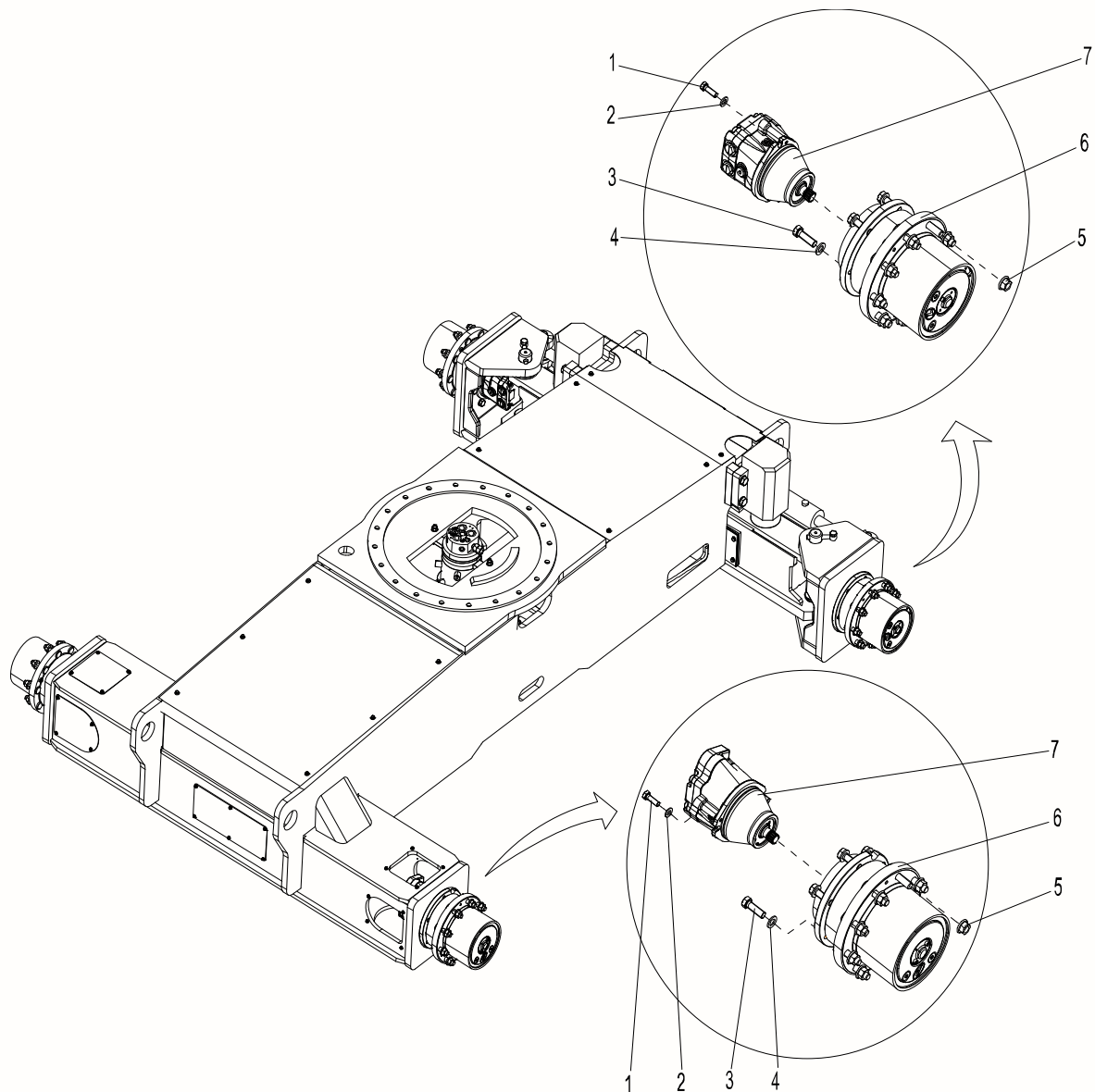
**Section 4 Chassis**





## Chassis assembly 0077110281000000

CHASSIS

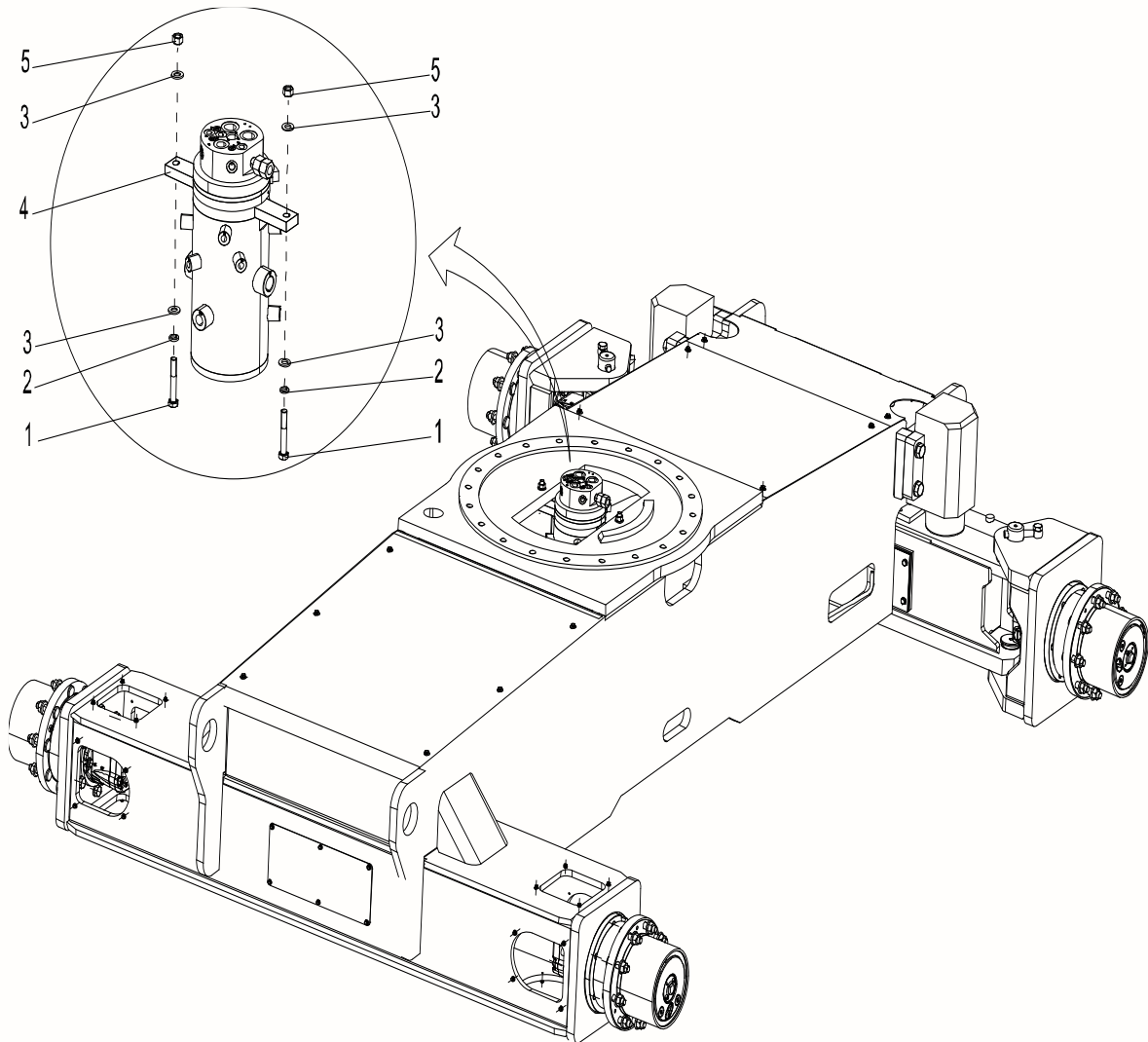




**Chassis assembly 0077110281000000**

<b>NO.</b>	<b>Material No.</b>	<b>Item and Spec</b>	<b>Unit</b>	<b>Remark</b>
1	1040004029	Bolt M12×35-10.9	8	GB/T5783-2000
2	1040302490	Washer 12-200HV	8	GB/T97.1-2002
3	1040101980	Screw M16×50-10.9	24	GB/T70.1-2000
4	1040302492	Washer 16-200HV	24	GB/T97.1-2002
5	1040201879	Hexagon nut with flange M16×1.5-10	36	GB/T6177.2-2016
6	1030202175	Reducer	4	
7	1010100907	Travel motor	4	

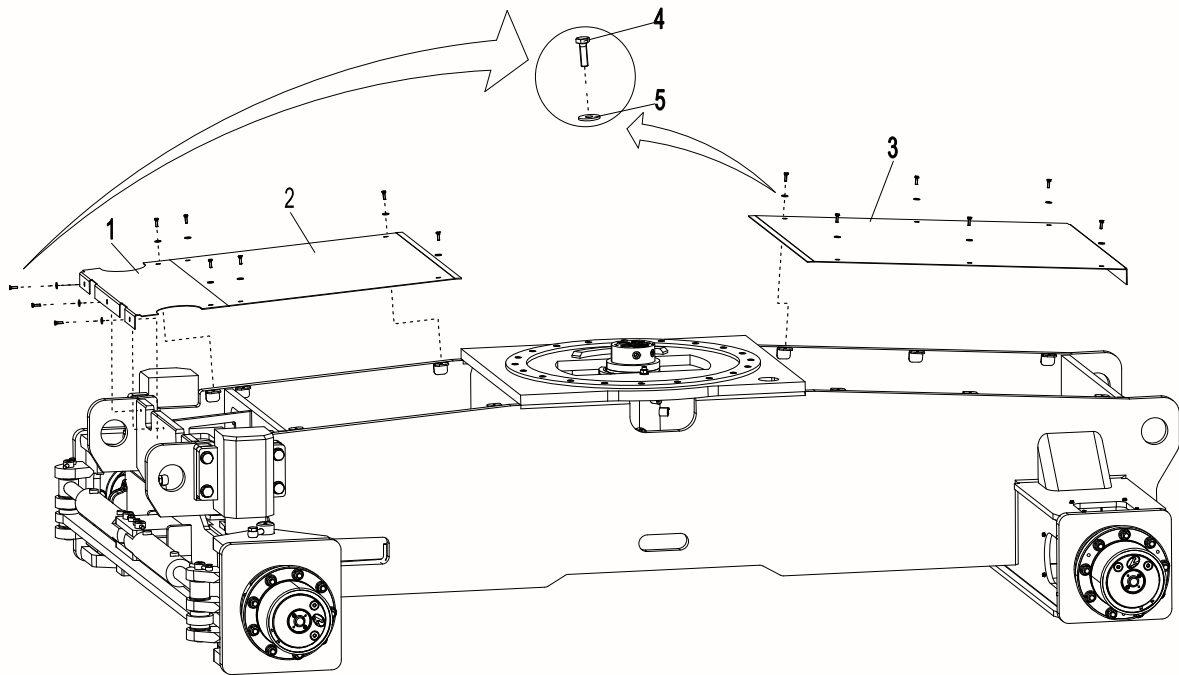
## Chassis assembly 0077110281000000



**Chassis assembly 0077110281000000**

<b>NO.</b>	<b>Material No.</b>	<b>Item and Spec</b>	<b>Unit</b>	<b>Remark</b>
1	1040004605	Bolt M12×75-8.8	2	GB/T5782-2000
2	1040300054	Washer 12	2	GB/T93-1987
3	1040302490	Washer 12-200HV	4	GB/T97.1-2002
4	1011200104	Centre revolving joint	1	
5	1040201381	Nut M12-8	2	GB/T6170-2000

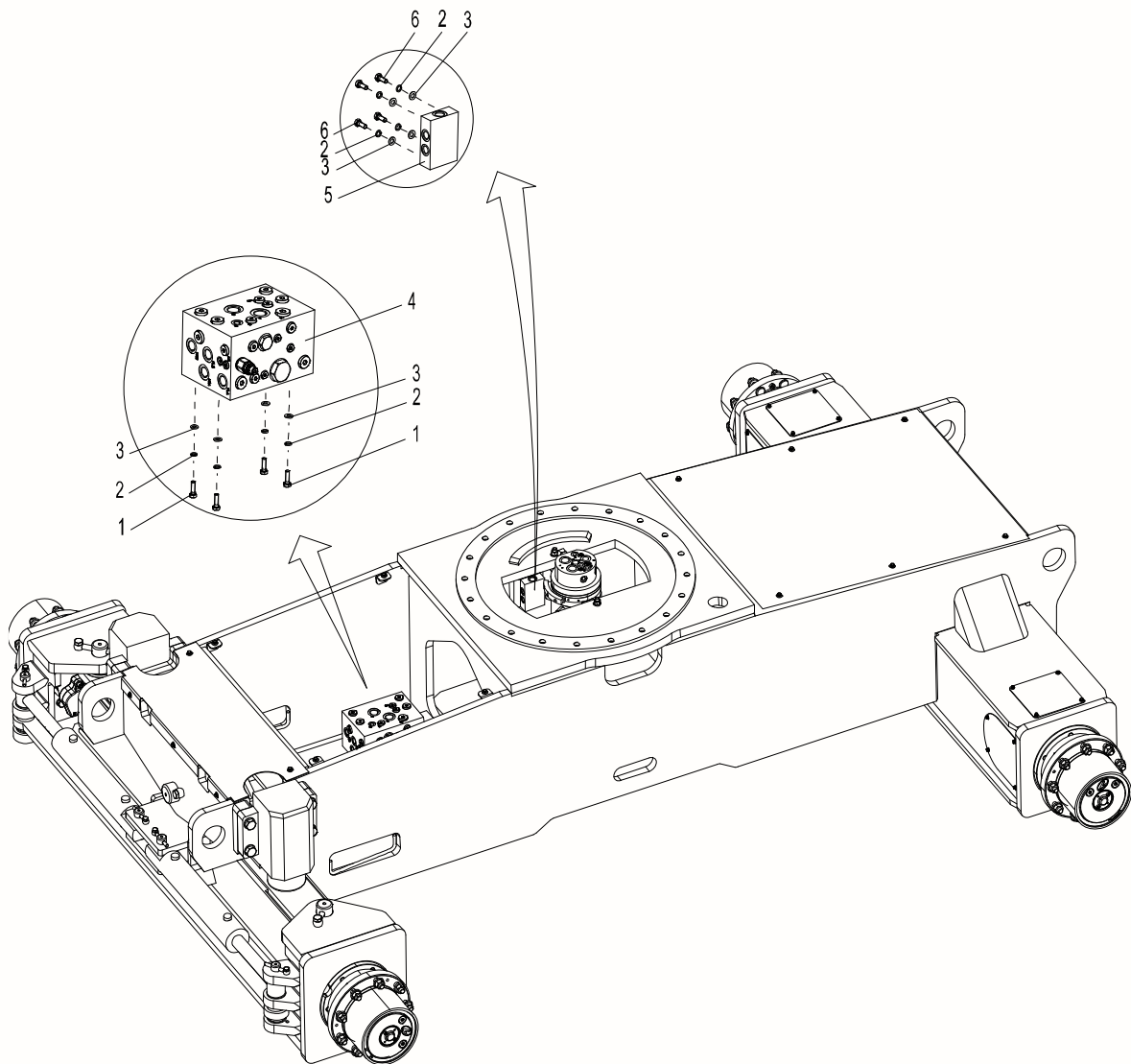
## Chassis assembly 0077110281000000



**Chassis assembly 0077110281000000**

NO.	Code	Item	Qty	Remark
1	00771102810001140	Cover plate	1	
2	00771102810001090	Cover plate	1	
3	00771102810001080	Cover plate	1	
4	1040004517	Bolt M8×16-8.8	15	GB/T5783-2000
5	1040301515	Washer 8-200HV	15	GB/T97.1-2002

## Chassis assembly 0077110281000000

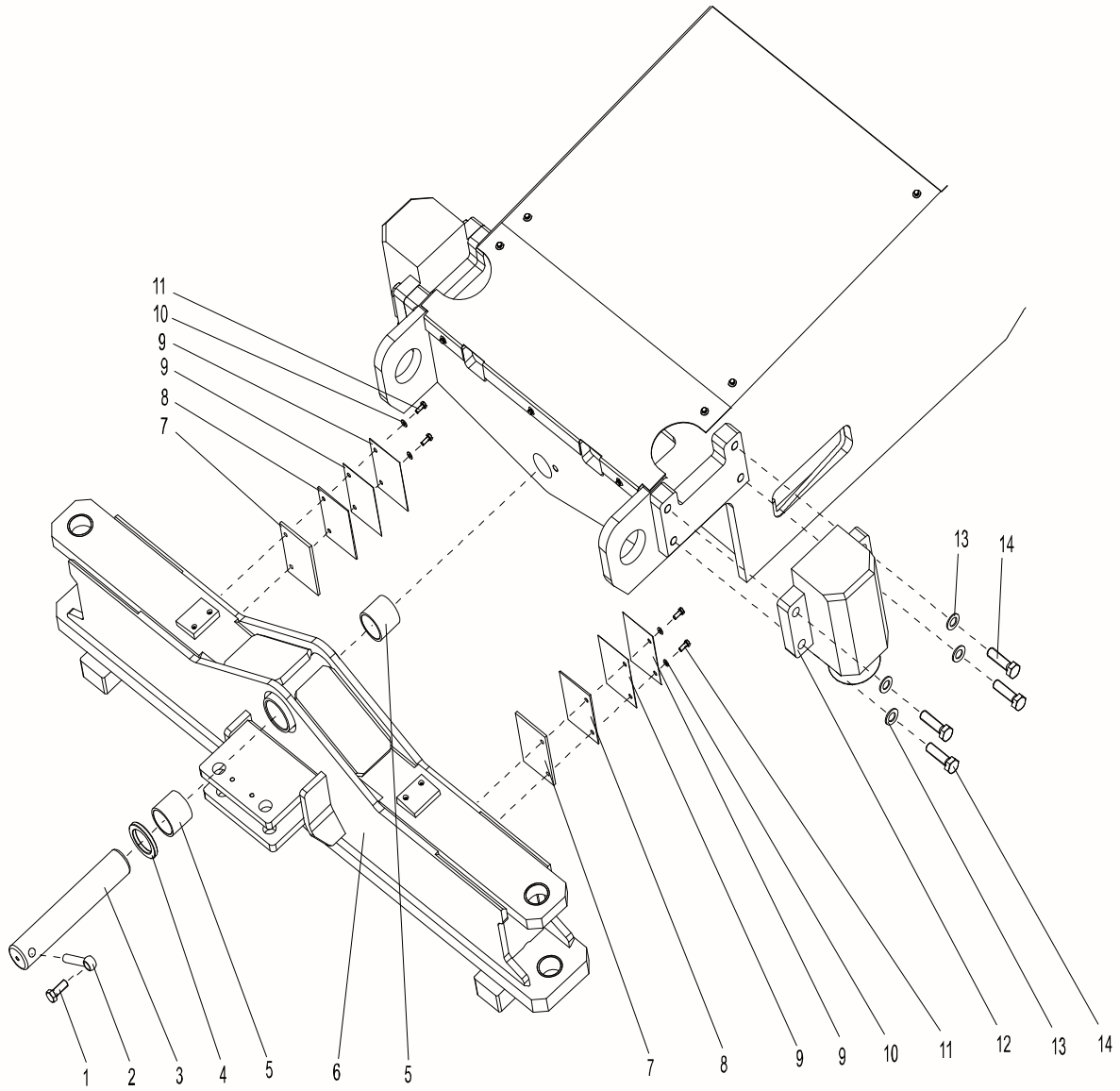


**Chassis assembly 0077110281000000**

<b>NO.</b>	<b>Material No.</b>	<b>Item and Spec</b>	<b>Unit</b>	<b>Remark</b>
1	1040004519	Bolt M8×25-8.8	4	GB/T5783-2000
2	1040301510	Washer 8	8	GB/T93-1987
3	1040301515	Washer 8-200HV	8	GB/T97.1-2002
4	1019807528	Travel control valve	1	
5	00771405200601010	Return oil block	1	
6	1040004518	Bolt M8×20-8.8	4	GB/T5783-2000

## Chassis assembly 0077110281000000

CHASSIS

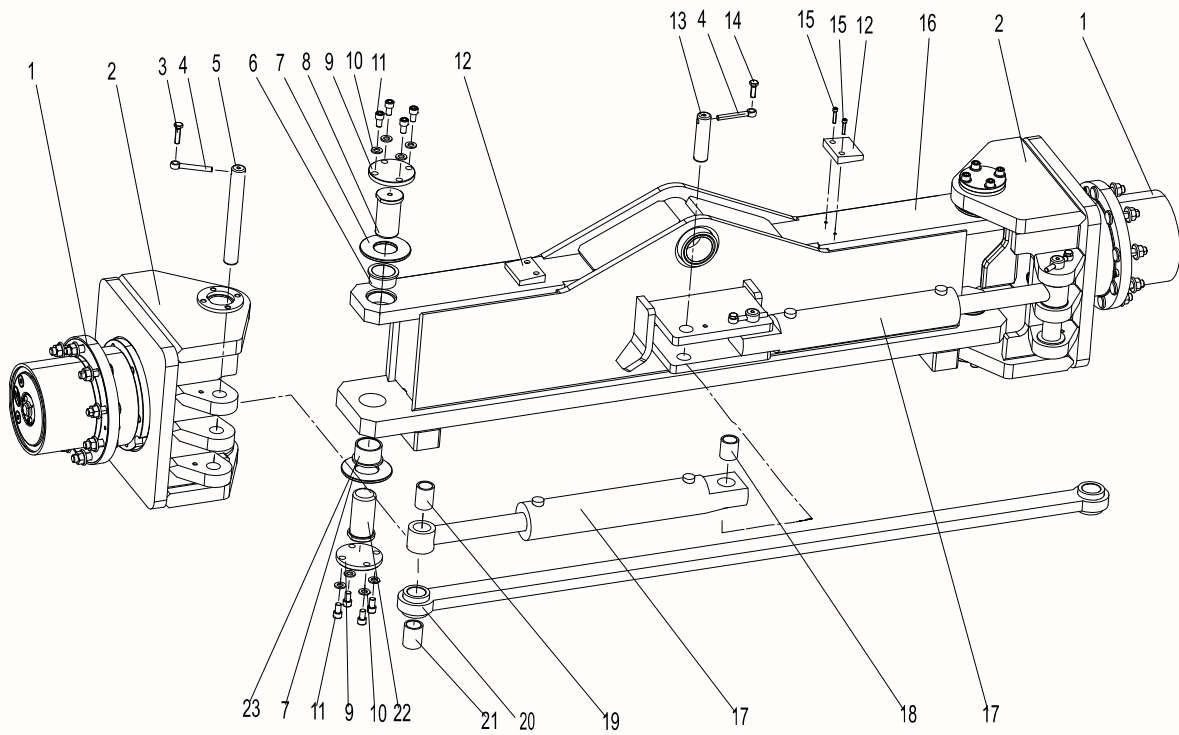




## Chassis assembly 0077110281000000

NO.	Material No.	Item and Spec	Unit	Remark
1	1040002446	Bolt M16×40-8.8	1	GB/T5783-2000
2	00773400400001250	Stop pin	1	
3	00771102800001040	Pin	1	
4	00771102800001060	Wear-resistant plate	1	
5	00771102800001220	Non-lubricating bearing	2	
6	00771102810400000	Front axle welds	1	
7	00771402800001100	Plate	2	
8	00771402800001090	Plate	2	
9	00771402800001080	Plate	4	
10	1040301515	Washer 8-200HV	4	GB/T97.1-2002
11	1040004518	Bolt M8×20-8.8	4	GB/T5783-2000
12	00771102800600000	Float cylinder	2	
13	1040302493	Washer 20-200HV	8	GB/T97.1-2002
14	1040004635	Bolt M20×70-8.8	8	GB/T5783-2000

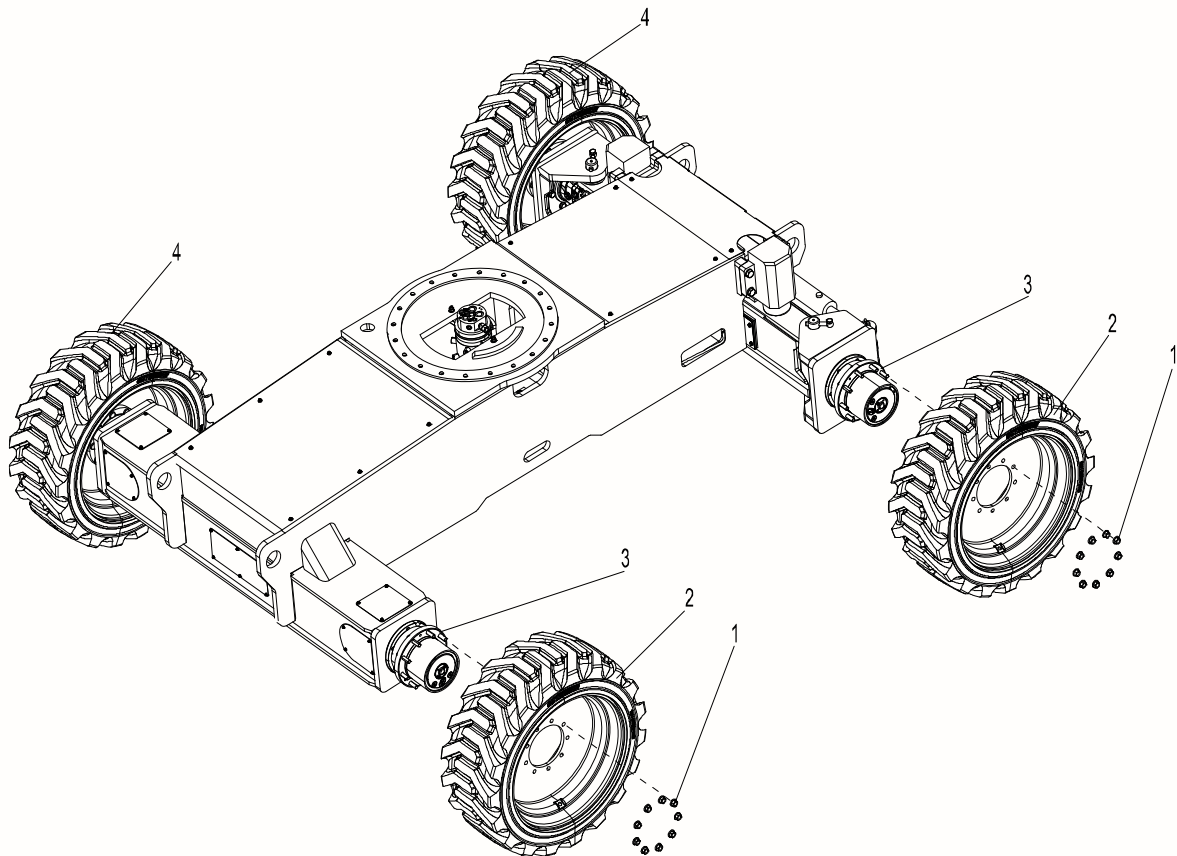
## Chassis 0077110281000000



## Chassis assembly 0077110281000000

NO.	Material No.	Item and Spec	Unit	Remark
1	1030202175	Reducer	4	
2	00771102810800000	Steering knuckle	2	
3	1040004507	Bolt M10×40-8.8	2	GB/T5783-2000
4	00773400300001200	Stop pin	4	
5	00771102800001010	Pin	2	
6	00771102810001230	Non-lubricating bearing	2	
7	00771102810001030	Wear-resistant plate	2	
8	00771102810001020	Pin	4	
9	00771102810001260	Main pin cover plate	4	
10	1040302490	Washer 12-200HV	16	GB/T97.1-2002
11	1040102042	Screw M12×20-10.9	16	GB/T70.1-2000
12	00771102810001210	Front axle block	2	
13	00771102800001070	Pin	2	
14	1040004565	Bolt M10×30-8.8	2	GB/T5783-2016
15	1040101643	Screw M6×30-A2-70	4	GB/T70.1-2000
16	00771102810400000	Front axle welds	1	
17	00771102811000000	Steering cylinder	2	
18	00771102810001190	Non-lubricating bearing	2	
19	00771102810001170	Non-lubricating bearing	2	
20	00771102811200000	Steering linkage welds	1	
21	00771102810001180	Non-lubricating bearing	2	
22	00771102810001150	Pin	2	
23	00771102810001240	Non-lubricating bearing	2	

## Chassis assembly 0077110281000000



**Chassis assembly 0077110281000000**

NO.	Material No.	Item and Spec	Unit	Remark
1	1040201879	Hexagon nut with flangeM16×1.5-10	36	GB/T6177.2-2016
2	1030800663	Tire 355/55D-625	2	355/55D-625(R)-O TR
3	1030202175	Reducer	4	
4	1030800662	Tire 355/55D-625	2	355/55D-625(L)- OTR

# **ZOOMLION**

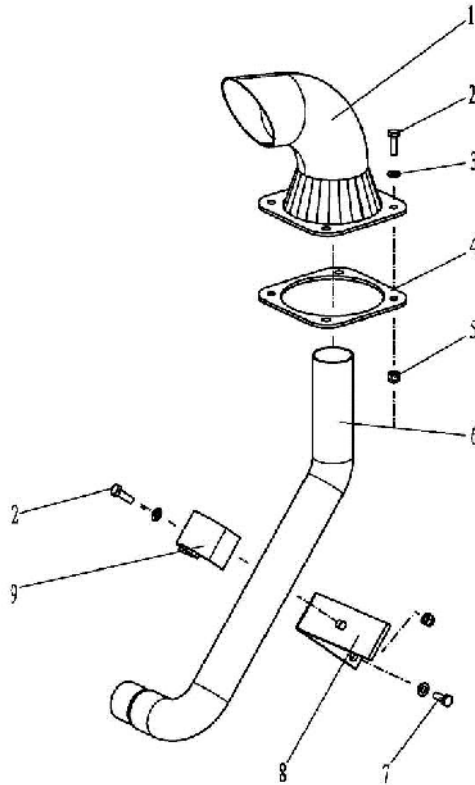
**Parts Manual**

**Section 5 Power System**





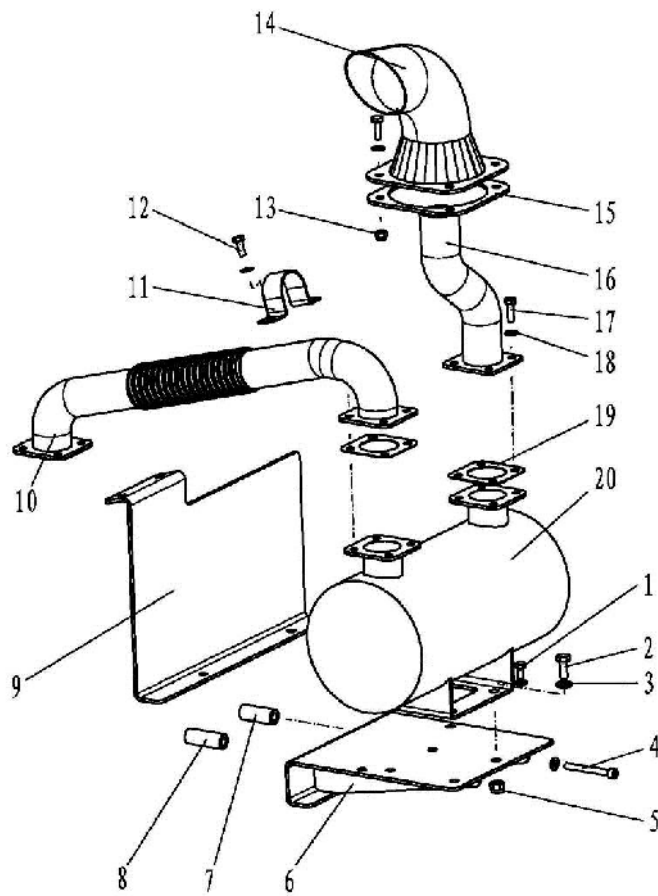
## Exhaust system 00771107111000000 (Deutz)





**Exhaust system 0077110711100000 (Deutz)**

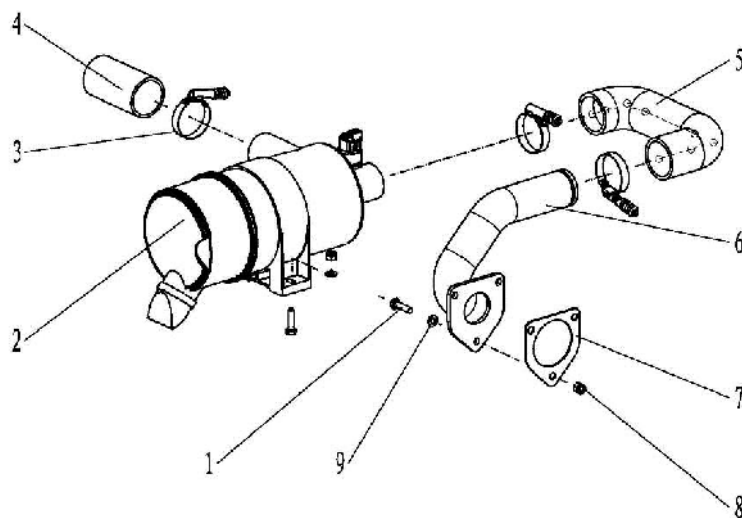
NO.	Material No.	Item and Spec	Unit	Remark
1	00771407101001020	Tail pipe	1	
2	1040004519	Bolt M8×25-8.8	5	GB/T5783-2000
3	1040301515	Washer 8-200HV	7	GB/T97.1-2002
4	00771407101001030	Strength plate	1	
5	1040200503	Nut M8-8	5	GB/T889.1-2000
6	00771107111001010	Exhaust pipe	1	
7	1040004518	Bolt M8×20-8.8	2	GB/T5783-2000
8	00771107111001020	Bending plate I	1	
9	00771107111001030	Bending plate II	1	

**Exhaust system 0077110712100000 (Perkins)**

## Exhaust system 0077110712100000 (Perkins)

NO.	Material No.	Item and Spec	Unit	Remark
1	1040004517	Bolt M8×16-8.8	2	GB/T5783-2000
2	1040002434	Bolt M10×25-8.8	6	GB/T5783-2000
3	1040302489	Washer 10-200HV	6	GB/T97.1-2002
4	1040102037	Screw M8×70-10.9-DKL	2	GB/T70.1-2000
5	1040200504	Nut M10-8	6	GB/T889.1-2000
6	00771107121010000	Silencer bracket	1	
7	00771107121001020	Cushion cover	1	
8	00771107121001030	Long cushion cover	1	
9	00771107121001050	Thermal baffle	1	
10	00771107121001010	Exhaust coupling	1	
11	00771107121001060	Bilateral pipe clamp	1	
12	1040004518	Bolt M8×20-8.8	6	GB/T5783-2000
13	1040200503	Nut M8-8	14	GB/T889.1-2000
14	00771407101001020	Tail pipe	1	
15	00771407101001030	Strength plate	1	
16	00771107121001040	Exhaust pipe	1	
17	1040004519	Bolt M8×25-8.8	12	GB/T5783-2000
18	1040301515	Washer 8-200HV	22	GB/T97.1-2002
19	00771407121001050	Sealer I	3	
20	00771407121001010	Silencer	1	

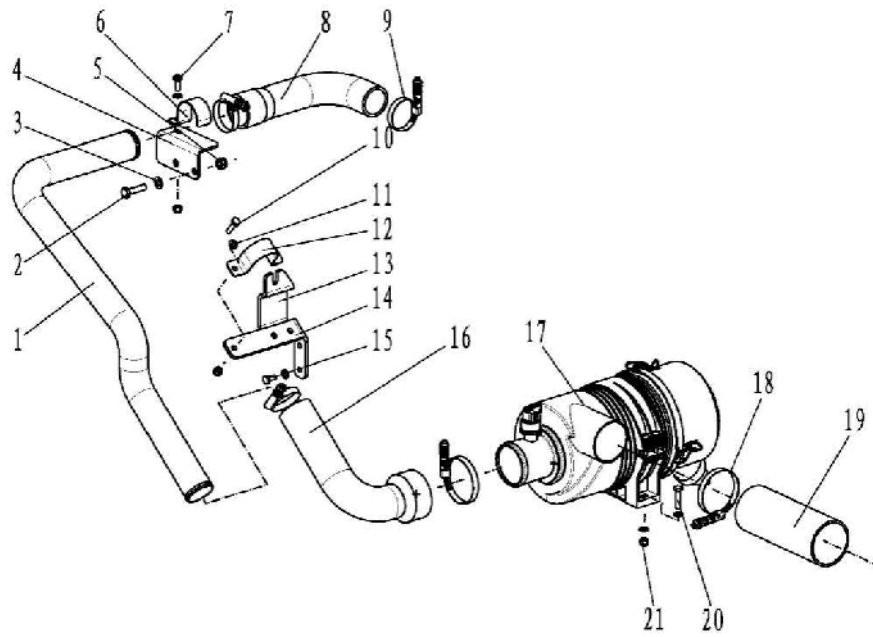
## Intake system 00773407120800000 (Deutz)



**Intake system 00773407120800000 (Deutz)**

NO.	Material No.	Item and Spec	Unit	Remark
1	1040004610	Bolt M8×30-8.8	5	GB/T5782-2000
2	1000100395	Air cleaner assembly	1	
3	1990202288	Spiral turbine vortex rod clamp	3	
4	00773407100801040	Intake tube II	1	
5	00773407120801030	Intake tube I	1	
6	00773407120801020	Connector	1	
7	00773407120801010	Rubber mat	1	
8	1040200503	Nut M8-8	5	GB/T889.1-2000
9	1040301515	Washer 8-200HV	5	GB/T97.1-2002

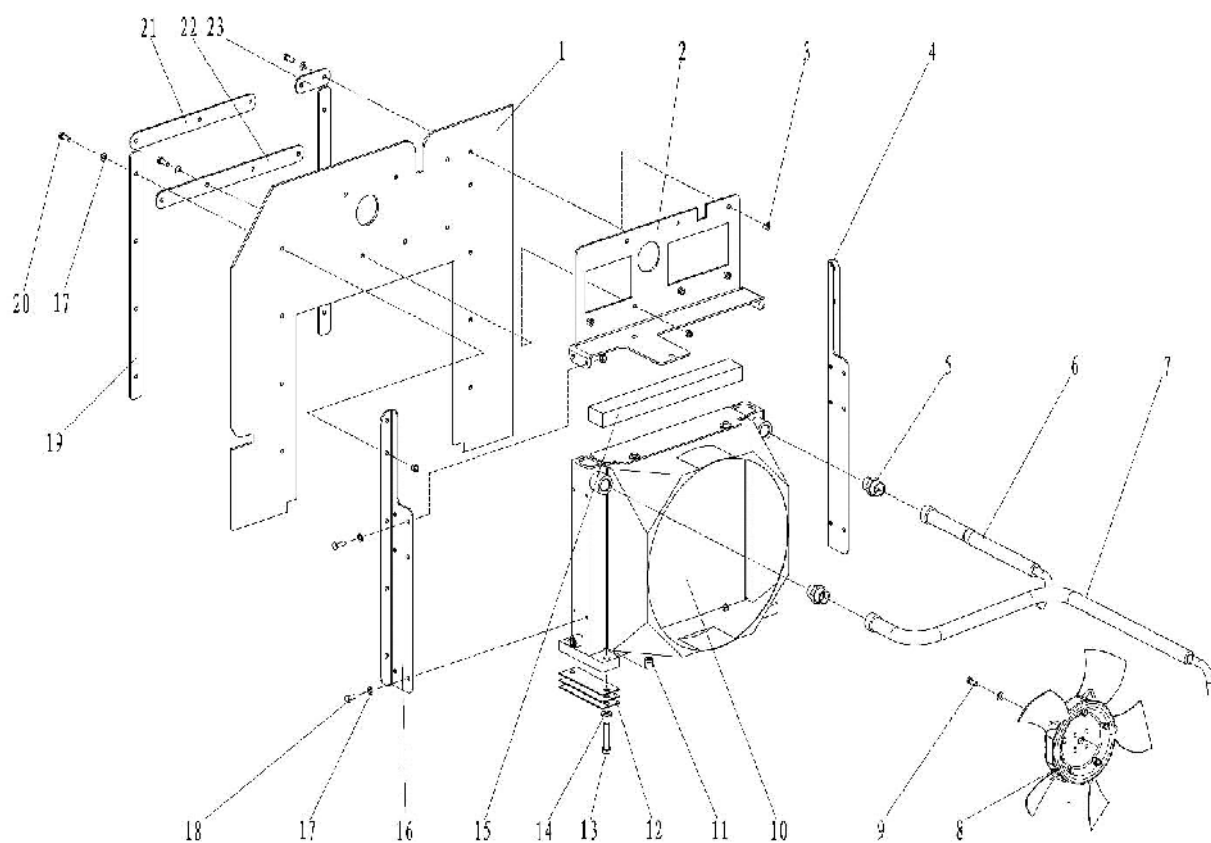
## Intake system 0077110712080000 (Perkins)



## Intake system 0077110712080000 (Perkins)

NO.	Material No.	Item and Spec	Unit	Remark
1	00771107120801010	Intake steel tube	1	
2	1040004507	Bolt M10×40-8.8	2	GB/T5783-2000
3	1040302489	Washer 10-200HV	2	GB/T97.1-2002
4	00771107120801040	Support plate I	1	
5	1040200504	Nut M10-8	2	GB/T889.1-2000
6	00771107120801060	Unilateral pipe clamp	1	
7	1040004518	Bolt M8×20-8.8	1	GB/T5783-2000
8	00771107120801020	Intake hose II	1	
9	1990202288	Spiral turbine vortex rod clamp	3	
10	1040004520	Bolt M8×30-8.8	3	GB/T5783-2000
11	1040301515	Washer 8-200HV	10	GB/T97.1-2002
12	00771107121001060	Bilateral pipe clamp	1	
13	00771107120801070	Stay plate	1	
14	00771107120801050	Support plate II	1	
15	1040004517	Bolt M8×16-8.8	2	GB/T5783-2000
16	00771107120801030	Intake hose I	1	
17	1000100391	Air cleaner assembly	1	
18	1990202290	Spiral turbine vortex rod clamp	2	
19	00771407100801010	Intake tube I	1	
20	1040004619	Bolt M8×35-8.8	2	GB/T5783-2000
21	1040200503	Nut M8-8	6	GB/T889.1-2000

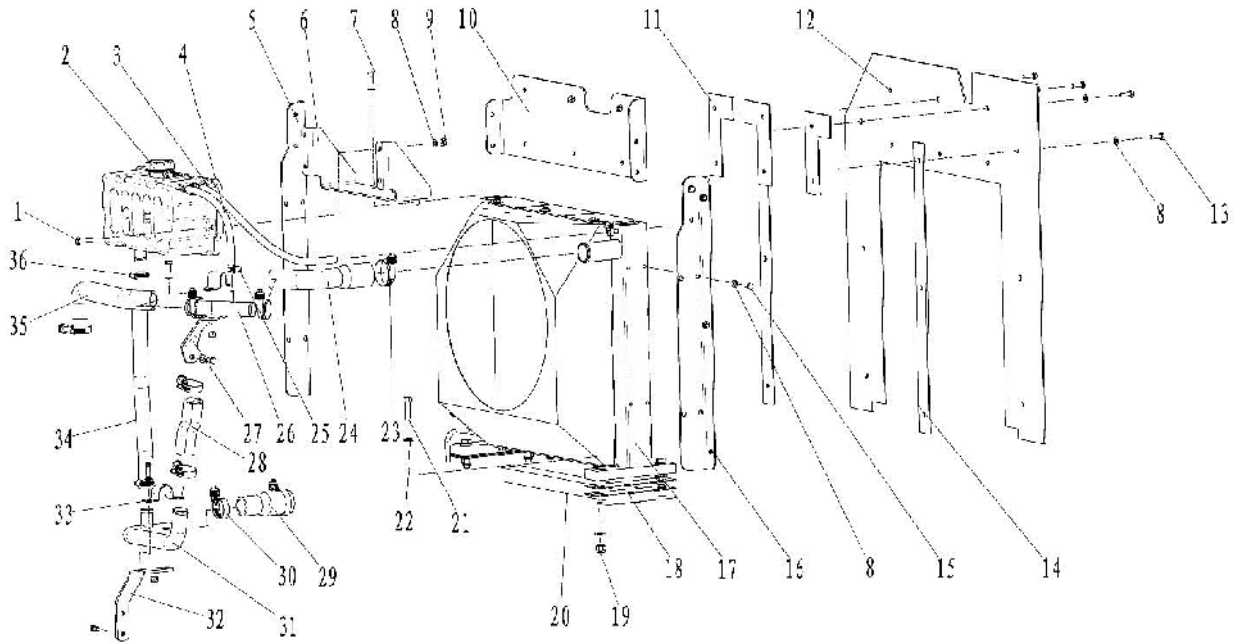
### Cooling system 0077110711060000 (Deutz)





## Cooling system 0077110711060000 (Deutz)

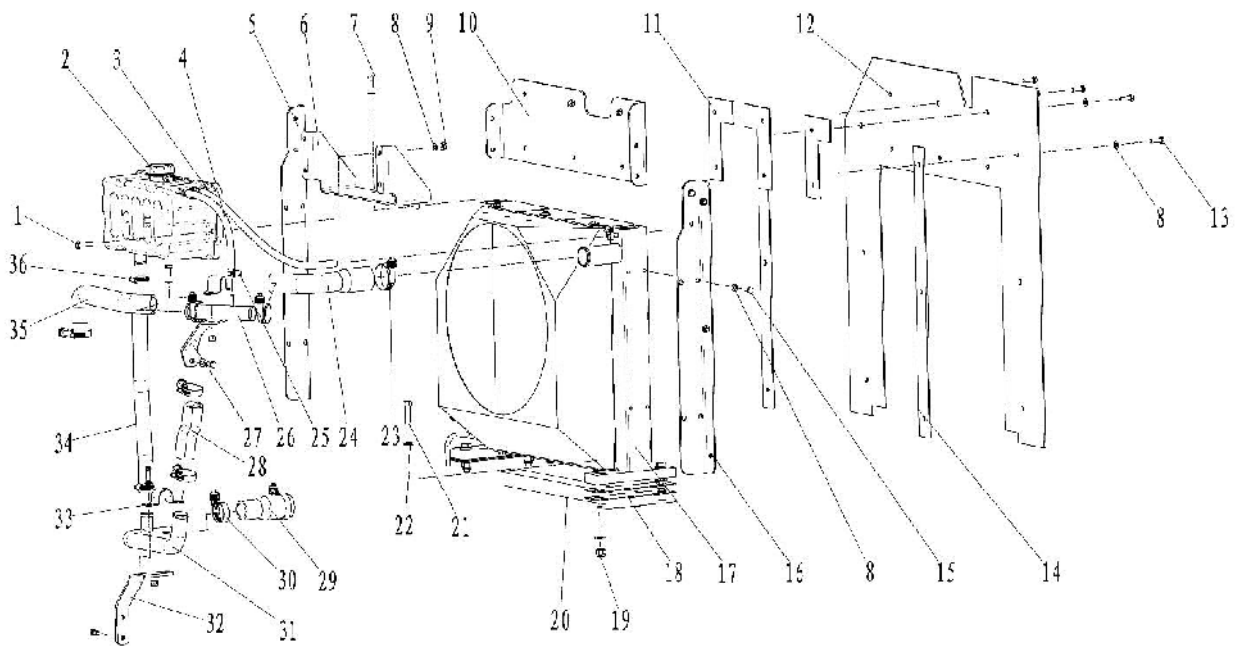
NO.	Material No.	Item and Spec	Unit	Remark
1	00771107110601010	Wind shield	1	
2	00773407120601030	Bending plate III	1	
3	1040200503	Nut M8-8	21	GB/T889.1-2000
4	00773407120601020	Bending plate II	1	
5	1140114618	End straight coupling	2	
6	1140251606	Hose Assembly	1	
7	1140251605	Hose Assembly	1	
8	1000300750	Fan assembly	1	
9	1040002281	Bolt M8×20-10.9	4	GB/T5783-2000
10	1000300751	Radiator assembly	1	
11	1040200507	Nut M12-8	4	GB/T889.1-2000
12	00773407100601140	Base plate	6	
13	1040002262	Bolt M12×55-10.9	4	GB/T5783-2000
14	1040302490	Washer 12-200HV	4	GB/T97.1-2002
15	00773407100601130	Sponge bar	2	
16	00773407120601010	Bending plate I	1	
17	1040301515	Washer 8-200HV	33	GB/T97.1-2002
18	1040004517	Bolt M8×16-8.8	8	GB/T5783-2000
19	00773407120601070	Plate IV	2	
20	1040004519	Bolt M8×25-8.8	21	GB/T5783-2000
21	00771107110601030	Plate III	1	
22	00773407120601040	Plate I	1	
23	00771107110601020	Plate II	1	



## Cooling system 0077110712060000 (Perkins)

NO.	Material No.	Item and Spec	Unit	Remark
1	1040004619	Bolt M8×35-8.8	4	GB/T5783-2000
2	1000300735	Expansion tank	1	
3	00771107120601120	Rubber steam hose I	1	
4	00771107120601130	Rubber steam hose II	1	
5	00771107120601150	Baffle bracket I	1	
6	00771107120601010	Water tank mounting plate	1	
7	1040004518	Bolt M8×20-8.8	10	GB/T5783-2000
8	1040301515	Washer 8-200HV	38	GB/T97.1-2002
9	1040200503	Nut M8-8	24	GB/T889.1-2000
10	00771107120601020	Baffle bracket III	1	
11	00771107120601180	Pressing plate	3	
12	00771107120601170	Wind shield	1	
13	1040004519	Bolt M8×25-8.8	14	GB/T5783-2000
14	00771407100601150	Plate II	2	
15	1040004517	Bolt M8×16-8.8	10	GB/T5783-2000
16	00771107120601160	Baffle bracket II	1	
17	1000300776	Radiator assembly	1	
18	00771407100601170	Base plate	6	
19	1040200507	Nut M12-8	4	GB/T889.1-2000
20	00773407130601210	Sponge bar	1	
21	1040002262	Bolt M12×55-10.9	4	GB/T5783-2000
22	1040300041	Washer 12-200HV	8	GB/T97.1-2002
23	1990202283	Washer turbo rod clamp	2	
24	00771107120601080	Return water hose I	1	
25	1990202279	Turbo rod clamp	4	
26	00771107120601100	Return water pipe	1	
27	00771107120601140	Return pipe support	1	
28	00771107120601070	Inflow hose II	1	
29	00771107120601060	Inflow hose I	1	
30	1990202284	Washer Turbo rod clamp	6	
31	00771107120601030	Inflow steel pipe	1	
32	00771107120601040	Inflow pipe bracket	1	
33	00771107120601110	Bilateral pipe clamp	2	
34	00771107120601050	Water supply pipe	1	

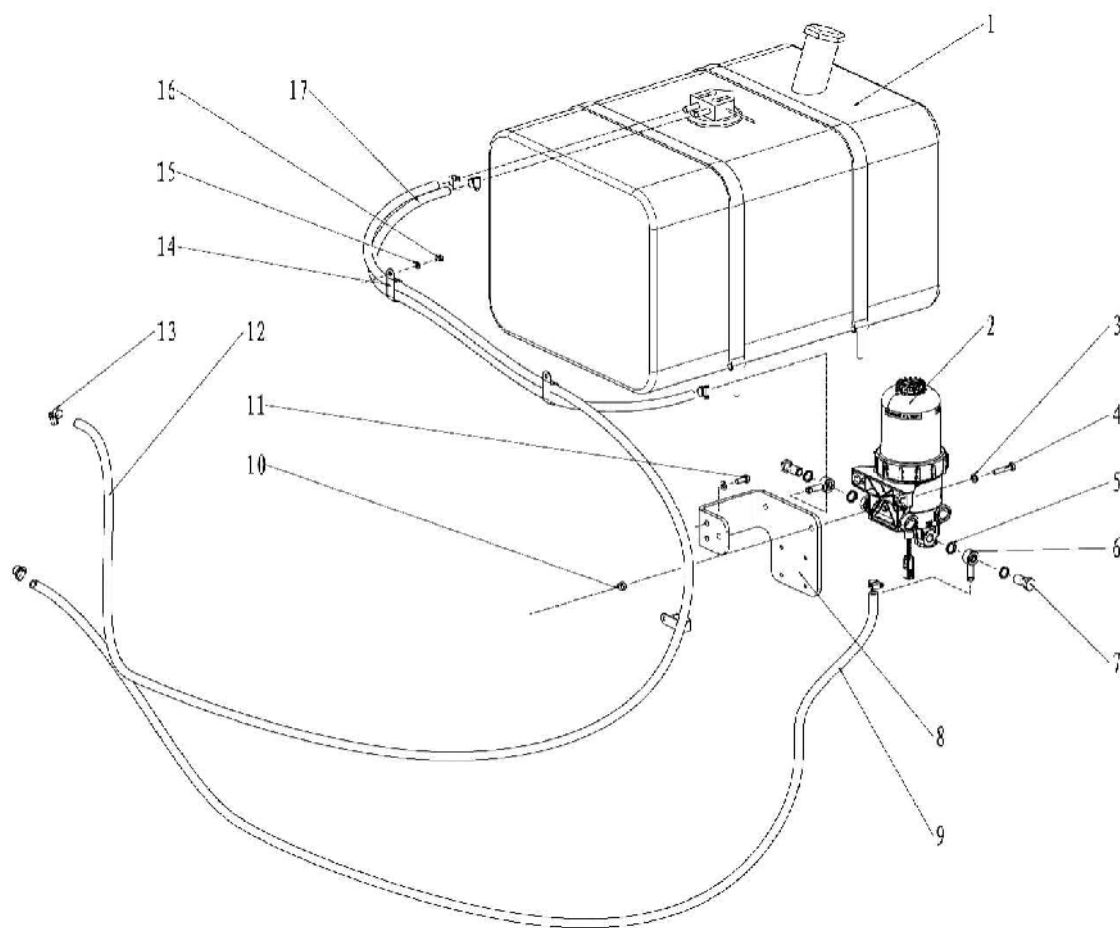
## Cooling system 0077110712060000 (Perkins)



**Cooling system 0077110712060000 (Perkins)**

NO.	Material No.	Item and Spec	Unit	Remark
35	00771107120601090	Return water hose II	1	
36	1990202282	Turbo rod clamp	2	

Fuel system 0077110711040000 (Deutz)

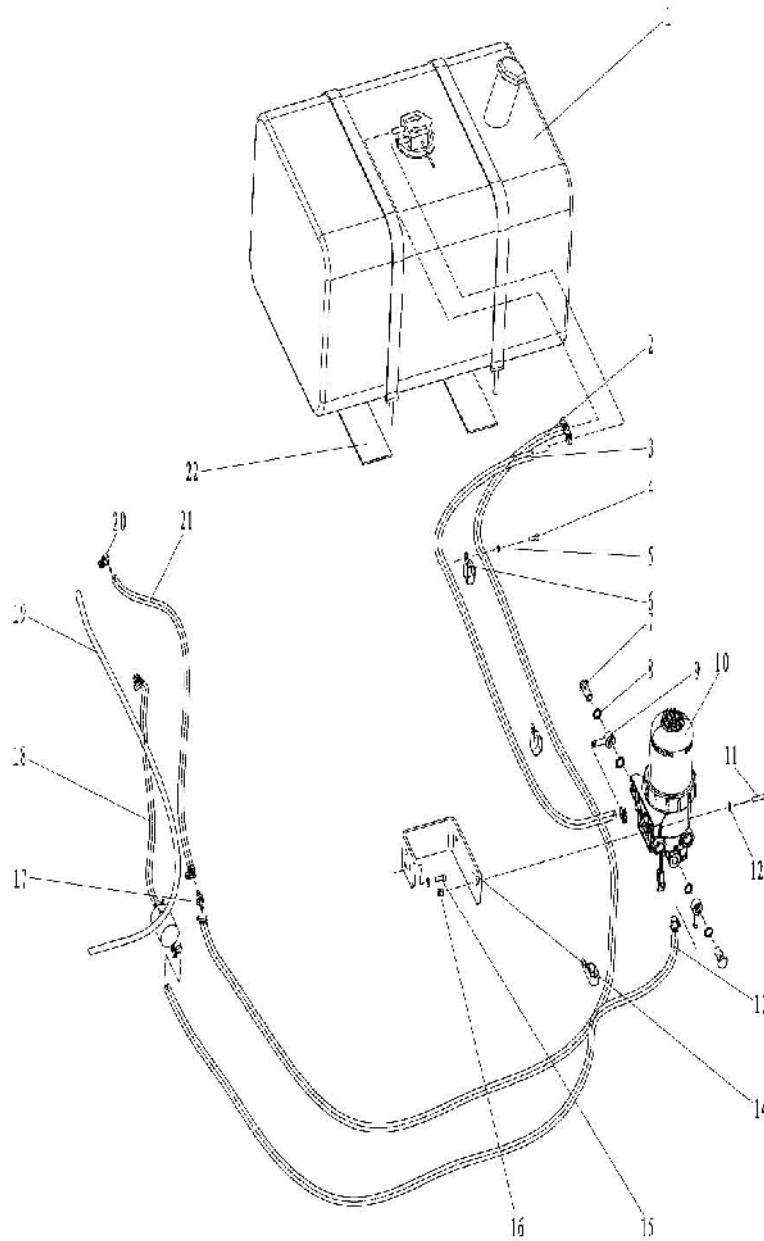


POWER SYSTEM

## Fuel system 0077110711040000 (Deutz)

NO.	Material No.	Item and Spec	Unit	Remark
1	1000400491	Fuel tank assembly	1	
2	1000400478	Oil-water separator	1	
3	1040301515	Washer 8-200HV	4	GB/T97.1-2002
4	1040002458	Bolt M8×40-8.8	2	GB/T5783-2000
5	1081000673	Combined sealing washer	4	JB/T982-1977
6	00773407100401050	Connector II	2	
7	00773407100401060	Hollow bolt	2	M16×1.5×35
8	00771407100401010	Bending plate I	1	
9	00771107110401020	Fuel pipe II	1	
10	1040200503	Nut M8-8	2	GB/T889.1-2000
11	1040004518	Bolt M8×20-8.8	2	GB/T5783-2000
12	00771107110401030	Fuel pipe III	1	
13	1990202279	Turbo rod clamp	6	
14	1990200692	Plastic coating tape	3	
15	1040300771	Washer 6-200HV	3	GB/T97.1-2002
16	1040005844	Bolt M6×10-A2-70	3	GB/T5783-2000
17	00771107110401010	Fuel pipe I	1	

## Fuel system 00771107120400000 (Perkins)

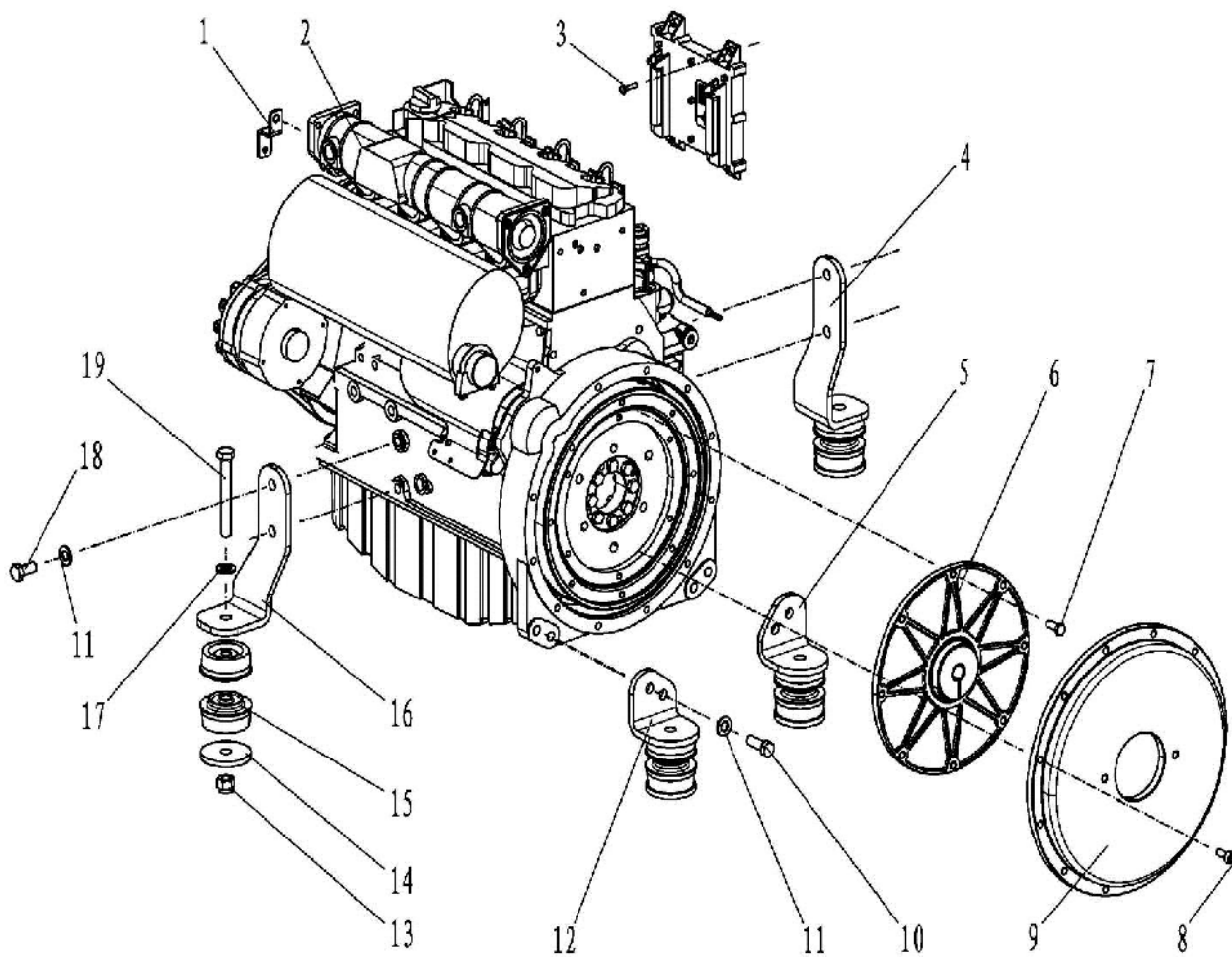




## Fuel system 00771107120400000 (Perkins)

NO.	Material No.	Item and Spec	Unit	Remark
1	1000400491	Fuel tank assembly	1	
2	00771107120401030	Fuel pipe II	1	
3	00771107120401020	Fuel pipe I	1	
4	1040102372	Hexagon socket head screw M6×20-A2-70	3	GB/T70.1-2000
5	1040300771	Washer 6-200HV	3	GB/T97.1-2002
6	1990200692	Plastic coating tape	3	
7	00773407100401060	Hollow Bolt M16×1.5×35	2	
8	1081000673	Combined sealing washer	4	JB/T982-1977 16
9	00773407100401050	Connector II	2	
10	1000400478	Oil-water separator	1	
11	1040004619	Bolt M8×35-8.8	2	GB/T5783-2000
12	1040301515	Washer 8-200HV	5	GB/T97.1-2002
13	00771107120401040	Fuel pipe III	1	
14	00771107120401010	Mounting plate	1	
15	1040004518	Bolt M8×20-8.8	3	GB/T5783-2000
16	1040200503	Nut M8-8	2	GB/T889.1-2000
17	00773407130401040	Connector	1	
18	00771107120401060	Fuel pipe V	1	
19	00773407130401060	Accelerator flexible axle	1	
20	1990202279	Turbo rod clamp	10	
21	00771107120401050	Fuel pipe IV	1	
22	00771107100401080	Base plate	2	

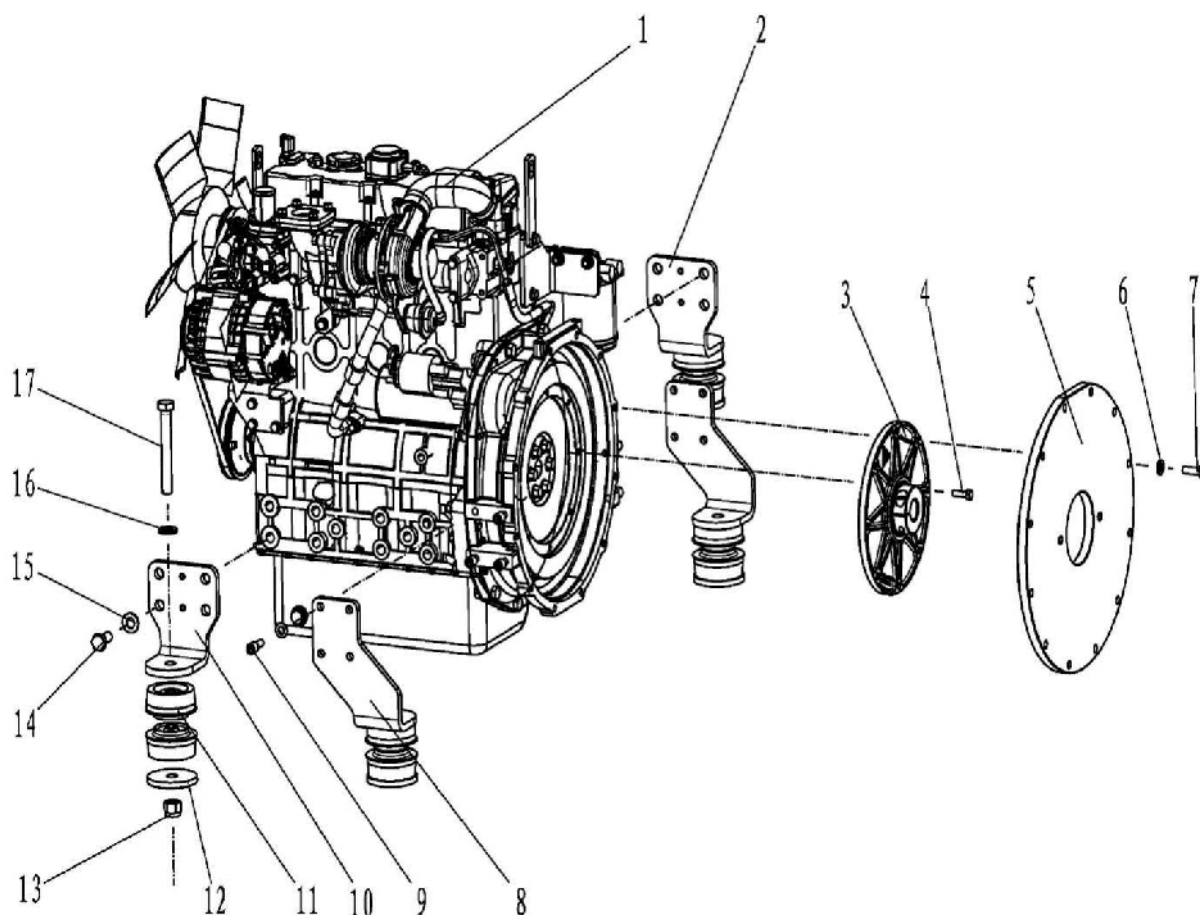
## Engine 00771107110200000 (Deutz)



## Engine 00771107110200000(Deutz)

NO.	Material No.	Item and Spec	Unit	Remark
1	00771107100401070	Bending plate	1	
2	1000000728	Diesel oil engine	1	
3	1040001640	Bolt M6×25-A2-70	4	GB/T5783-2000
4	00771107110201020	Bending plate IV	1	
5	00773407100201020	Bending plate II	1	
6	1030400480	Elastic coupling assembly	1	
7	1040004033	Bolt M10×25-10.9	8	GB/T5783-2000
8	1040101492	Screw M10×25-8.8	11	GB/T70.1-2000
9	00773407100201070	Coupling cover	1	
10	1040004513	Bolt M14×40-10.9	4	GB/T5783-2000
11	1040302491	Washer 14-200HV	8	GB/T97.1-2002
12	00773407100201010	Bending plate I	1	
13	1040200161	Nut M16-8	4	GB/T889-1986
14	00773407100201050	Base plate	4	
15	1001500061	Engine damper	8	
16	00773407120201010	Bending plate III	1	
17	1040302492	Washer 16-200HV	4	GB/T97.1-2002
18	1040004038	Bolt M14×30-10.9	4	GB/T5783-2000
19	1040003912	Bolt M16×120-10.9-DKL	4	GB/T5783-2000

## Engine 00771107120200000(Perkins)



## Engine 00771107120200000(Perkins)

NO.	Material No.	Item and Spec	Unit	Remark
1	1000000734	Diesel oil engine	1	
2	00771107120201010	Mounting plate I	1	
3	1009805935	Elastic coupling assembly	1	
4	1040101835	Screw	8	5/16-18UNC-2A× 25-10.9
5	00771107120201030	Coupling cover	1	
6	1040302489	Washer 10-200HV	20	GB/T97.1-2002
7	1040003028	Bolt	12	3/8-16UNC-2A×3 0-10.9
8	00771107120201040	Mounting plate II	1	
9	1040005842	Bolt	8	3/8-16UNC-2A×2 5-10.9
10	00771107120201020	Mounting plate III	2	
11	1001500061	Engine damper	8	
12	00773407100201050	Base plate	4	
13	1040200161	Nut M16-8	4	GB/T889-1986
14	1040003535	Bolt M14×1.5×30-10.9	8	GB/T5786-2000
15	1040302491	Washer 14-200HV	8	GB/T97.1-2002
16	1040302492	Washer 16-200HV	4	GB/T97.1-2002
17	1040003912	Bolt M16×120-10.9-DKL	4	GB/T5783-2000

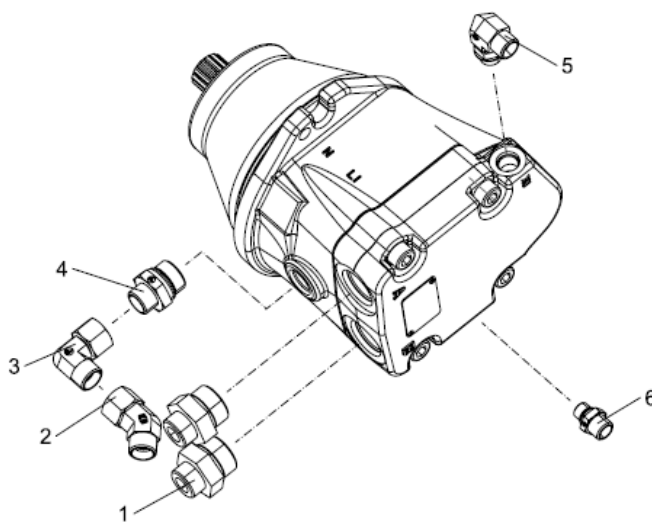
# **ZOOMLION**

**Parts Manual**

**Section 6 Hydraulic System**





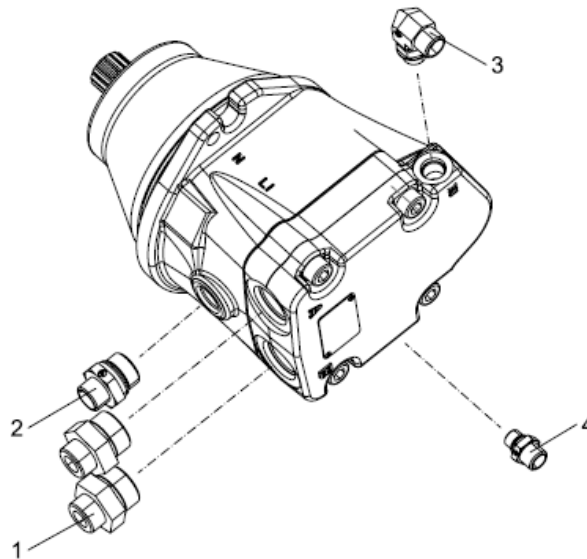
**Frame hydraulic installation (front motor) 0077110520060000**



**Frame hydraulic installation (front motor) 00771105200600000**

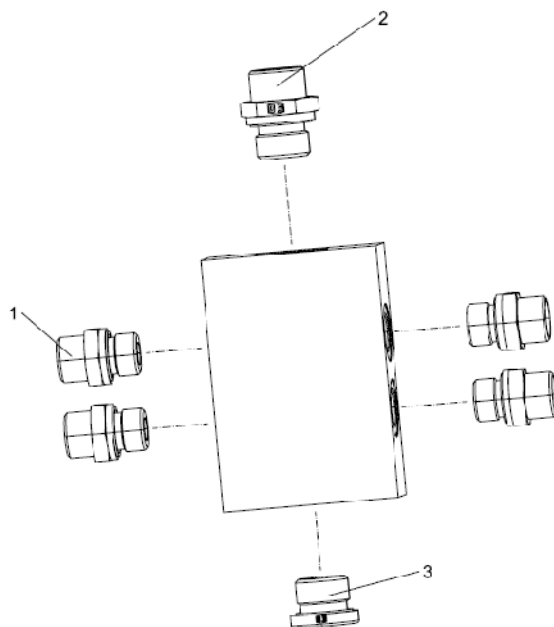
<b>NO.</b>	<b>Material No.</b>	<b>Item and Spec</b>	<b>Unit</b>	<b>Remark</b>
1	1149901795	End straight coupling	2	GE15L11/16UNOMDCF
2	1140113796	Right angle built-up joint	1	EV12LOMDCF
3	1140101477	Right angle built-up joint	1	EW12LOMDCF
4	1140113353	End straight coupling	1	GE12L3/4UNFOMDCF
5	1140108034	End through adjustable directional joint	1	WEE08L9/16UNFOMDCF
6	1140107814	End straight coupling	1	GE08L7/16UNFOMDCF

## Frame hydraulic installation (rear motor) 00771105200600000



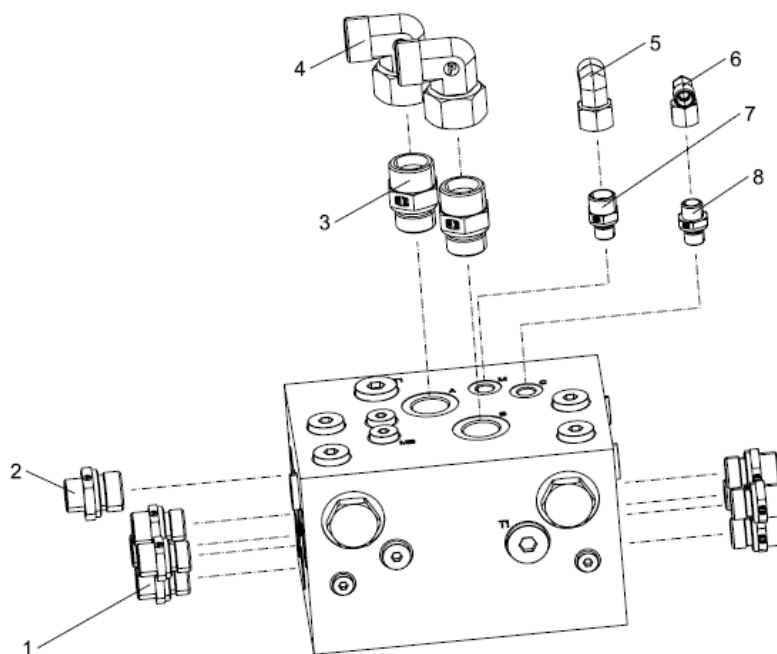
**Frame hydraulic installation (rear motor) 00771105200600000**

<b>NO.</b>	<b>Material No.</b>	<b>Item and Spec</b>	<b>Unit</b>	<b>Remark</b>
1	1149901795	End straight coupling	2	GE15L11/16UNOMDCF
2	1140113353	End straight coupling	1	GE12L3/4UNFOMDCF
3	1140108034	End through adjustable directional joint	1	WEE08L9/16UNFOMDCF
4	1140107814	End straight coupling	1	GE08L7/16UNFOMDCF

**Frame hydraulic installation (return oil block) 0077110520060000**

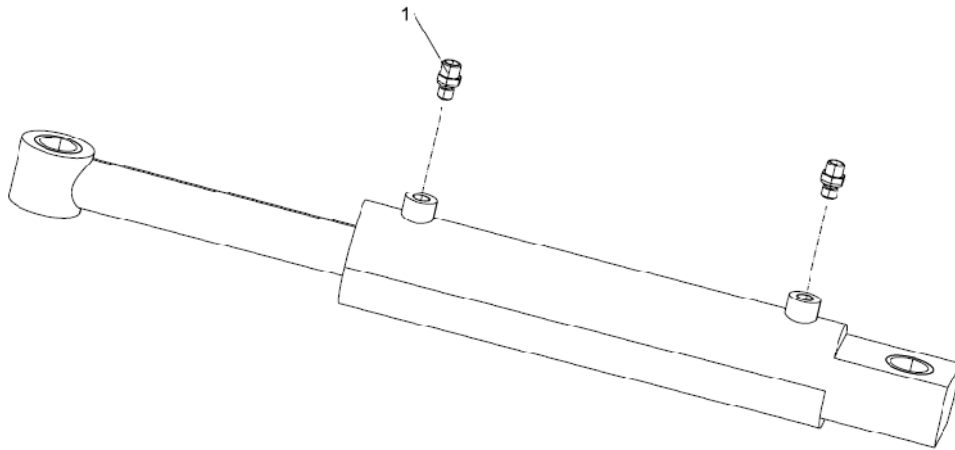
**Frame hydraulic installation (return oil block) 00771105200600000**

<b>NO.</b>	<b>Material No.</b>	<b>Item and Spec</b>	<b>Unit</b>	<b>Remark</b>
1	1140101462	End straight coupling	4	GE12LREDOMDCF
2	1140101464	End straight coupling	1	GE15LREDOMDCF
3	1140107416	Hex socket end cap	1	VSTI1/2EDCF

**Frame hydraulic installation (travel split-flow valve)0077110520060000**

**Frame hydraulic installation (travel splite-flow  
valve)00771105200600000**

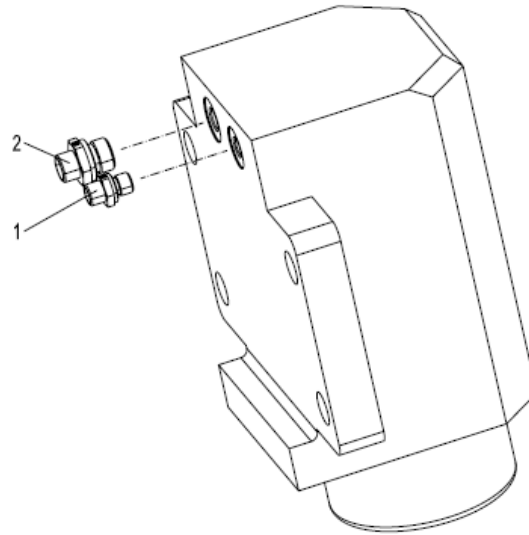
<b>NO.</b>	<b>Material No.</b>	<b>Item and Spec</b>	<b>Unit</b>	<b>Remark</b>
1	1140101464	End straight coupling	8	GE15LREDOMDCF
2	1140101820	End straight coupling	1	GE15LR3/4EDOMDCF
3	1140101523	End straight coupling	2	GE20SREDOMDCF
4	1140101534	Right angle built-up joint	2	EW20SOMDCF
5	1140101477	Right angle built-up joint	1	EW12LOMDCF
6	1140101475	Right angle built-up joint	1	EW08LOMDCF
7	1140101521	End straight coupling	1	GE12LR1/4EDOMDCF
8	1140111237	End straight coupling	1	GE08LREDOMDCF

**Frame hydraulic installation (steering cylinder) 0077110520060000**



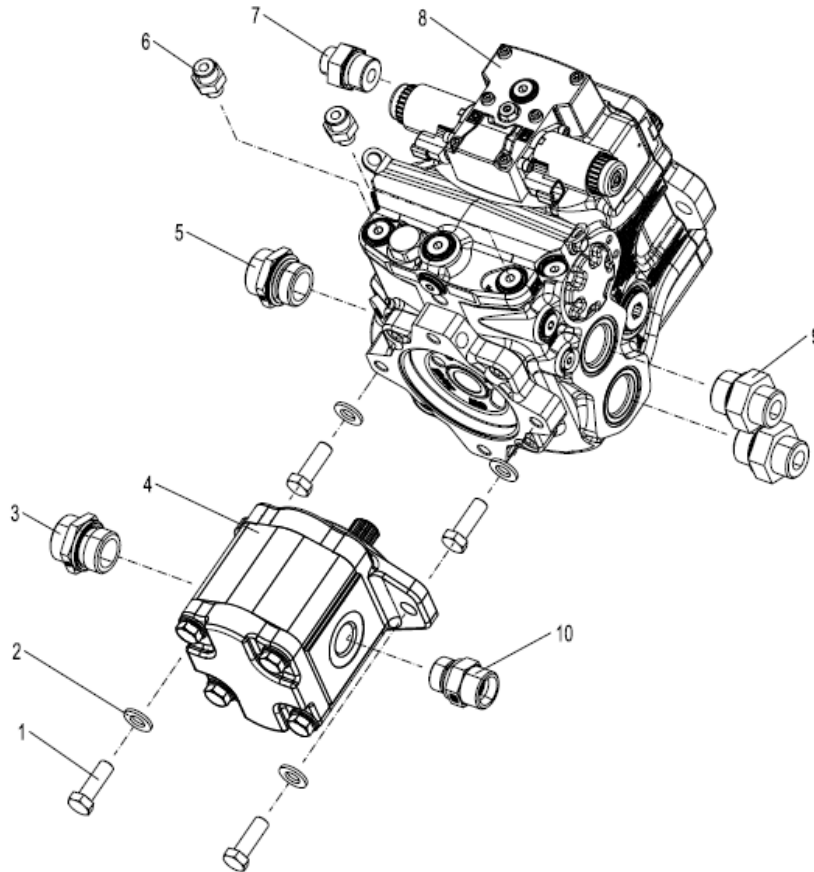
**Frame hydraulic installation (steering cylinder) 00771105200600000**

<b>NO.</b>	<b>Material No.</b>	<b>Item and Spec</b>	<b>Unit</b>	<b>Remark</b>
1	1140111237	End straight coupling	2	GE08LREDOMDCF

**Frame hydraulic installation (float cylinder) 0077110520060000**

**Frame hydraulic installation (float cylinder) 00771105200600000**

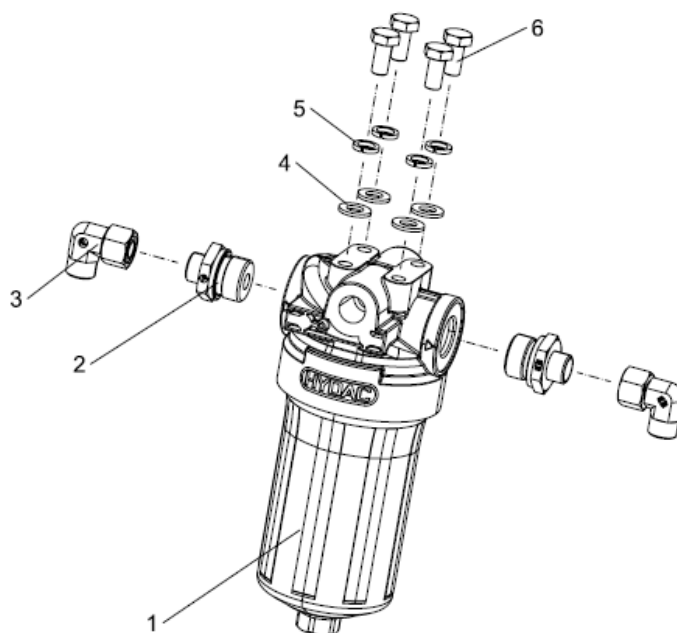
<b>NO.</b>	<b>Material No.</b>	<b>Item and Spec</b>	<b>Unit</b>	<b>Remark</b>
1	1140111237	End straight coupling	1	GE08LREDOMDCF
2	1140101462	End straight coupling	1	GE12LREDOMDCF

**Turntable hydraulic components mounting (pump)00771105200800000**

**Turntable hydraulic components mounting (pump)00771105200800000**

NO.	Material No.	Item and Spec	Unit	Remark
1	1040004029	Bolt M12×35-10.9	4	GB/T5783-2000
2	1040302490	Washer 12-200HV	4	GB/T97.1-2002
3	1140103362	End straight coupling	1	GE28LREDOMDCF
4	1010001941	Gear pump	1	
5	1149901792	End straight coupling	1	GEO28LMOMDCF
6	1140113942	End straight coupling	2	GEO12LM14×1.5OMDCF
7	1149901793	End straight coupling	1	GEO15LM27×2OMDCF
8	1010001790	Travel pump	1	
9	1149901794	End straight coupling	2	GEO20SM33×2OMDCF
10	1140101523	End straight coupling	1	GE20SREDOMDCF

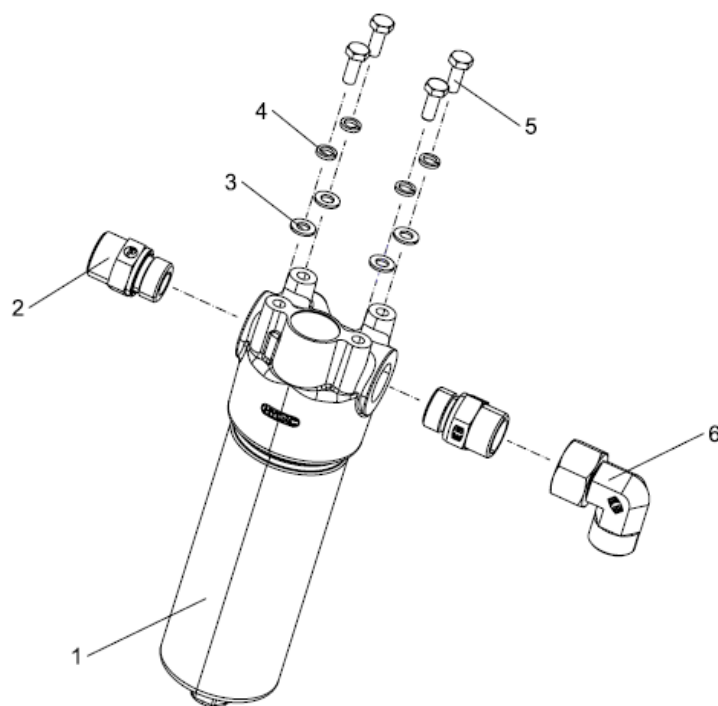
**Turntable hydraulic components mounting (re-fill filter)  
0077110520080000**



**Turntable hydraulic components mounting (re-fill filter)  
00771105200800000**

<b>NO.</b>	<b>Material No.</b>	<b>Item and Spec</b>	<b>Unit</b>	<b>Remark</b>
1	1010601136	Re-fill filter	1	
2	1140207362	End straight coupling	2	GE12LR3/4EDOMDCF
3	1140101477	Right angle built-up joint	2	EW12LOMDCF
4	1040302489	Washer 10-200HV	4	GB/T97.1-2002
5	1040301502	Washer 10	4	GB/T93-1987
6	1040002433	Bolt M10×20-8.8	4	GB/T5783-2000

**Turntable hydraulic components mounting (High pressure filter)  
00771105200800000**

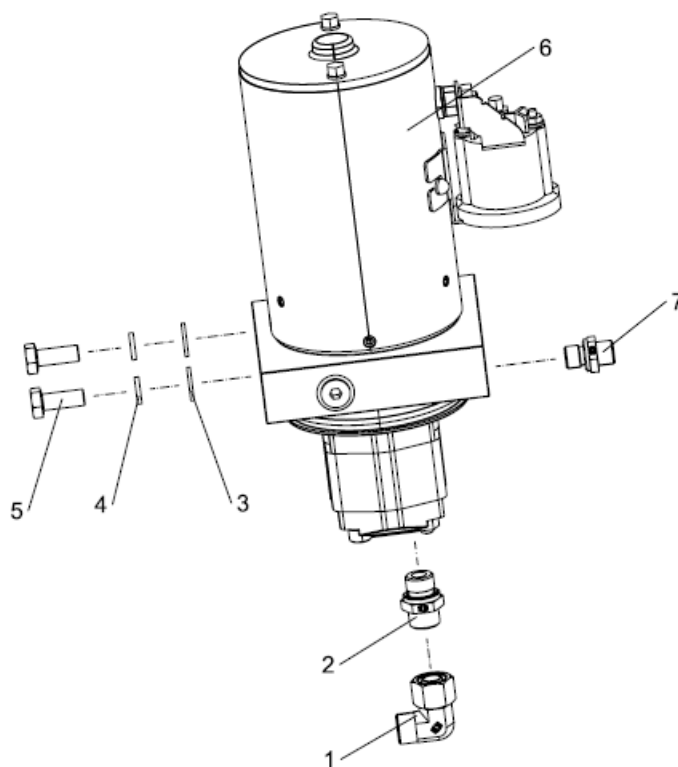




**Turntable hydraulic components mounting (High pressure filter)  
00771105200800000**

<b>NO.</b>	<b>Material No.</b>	<b>Item and Spec</b>	<b>Unit</b>	<b>Remark</b>
1	1010601137	High pressure filter	1	
2	1140101523	End straight coupling	2	GE20SREDOMDCF
3	1040301515	Washer 8-200HV	4	GB/T97.1-2002
4	1040301510	Washer 8	4	GB/T93-1987
5	1040004518	Bolt M8×20-8.8	4	GB/T5783-2000
6	1140101534	Right angle built-up joint	1	EW20SOMDCF

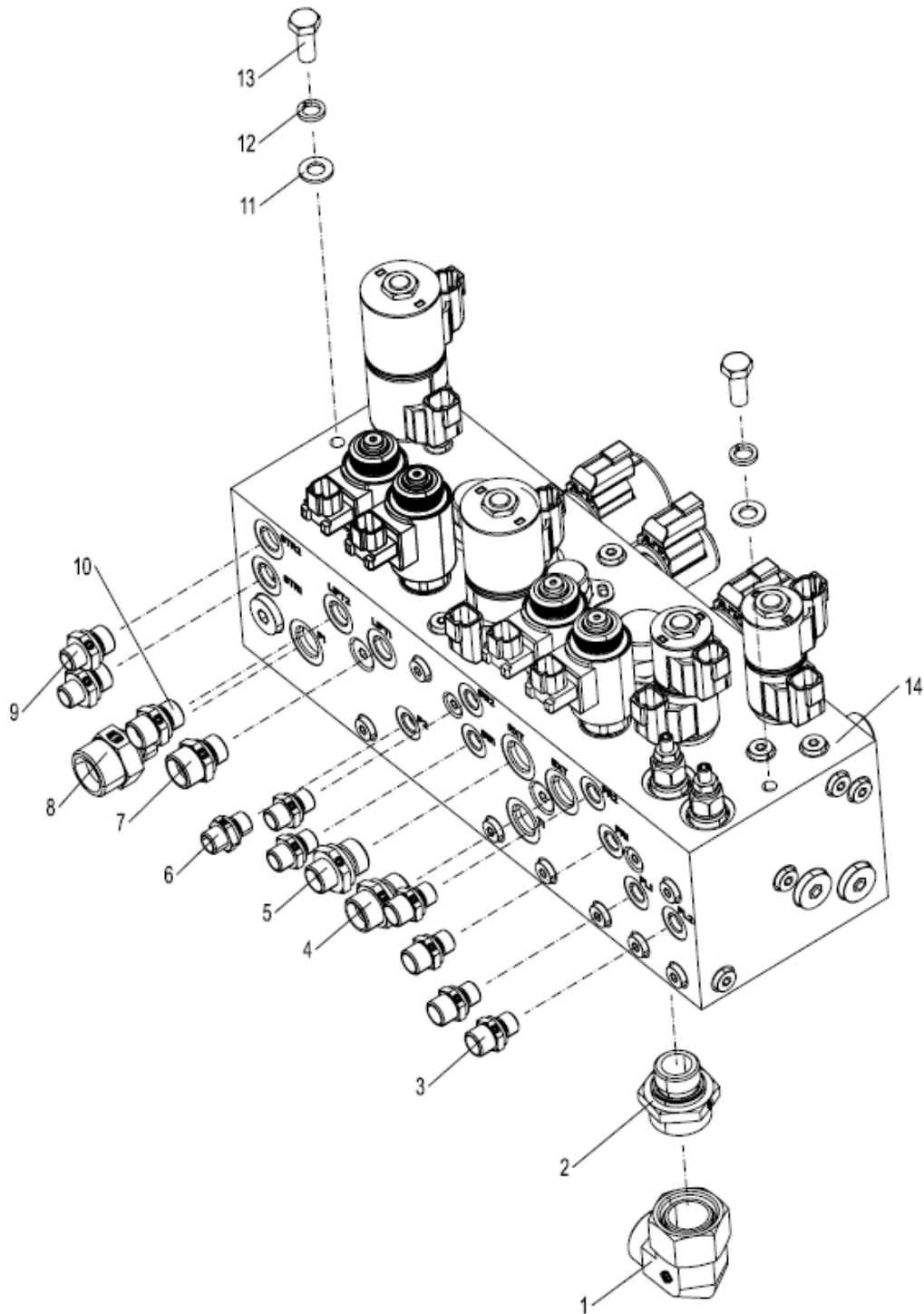
**Turntable hydraulic components mounting (Auxiliary pump)**  
**00771105200800000**



**Turntable hydraulic components mounting (Auxiliary pump)  
00771105200800000**

<b>NO.</b>	<b>Material No.</b>	<b>Item and Spec</b>	<b>Unit</b>	<b>Remark</b>
1	1140101477	Right angle built-up joint	1	EW12LOMDCF
2	1140101462	End straight coupling	1	GE12LREDOMDCF
3	1040302489	Washer 10-200HV	2	GB/T97.1-2002
4	1040301502	Washer 10	2	GB/T93-1987
5	1040002434	Bolt M10×25-8.8	2	GB/T5783-2000
6	1010001903	Auxiliary pump	1	
7	1140111237	End straight coupling	1	GE08LREDOMDCF

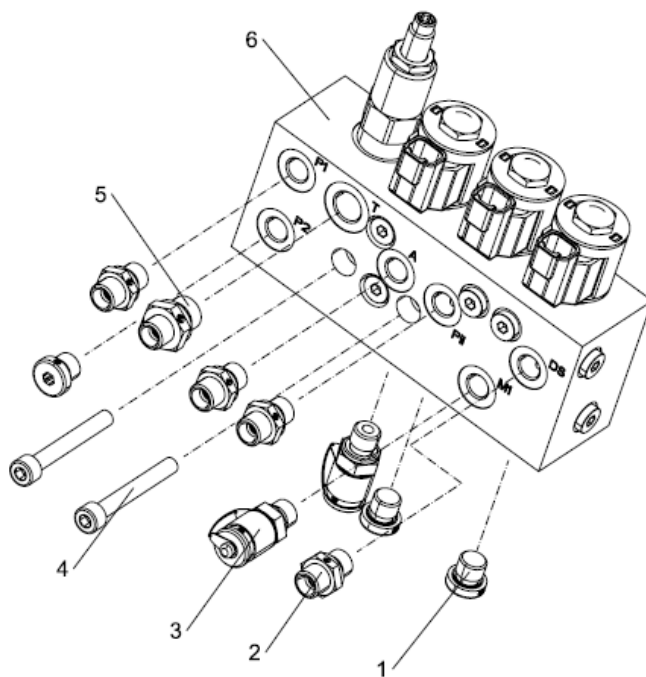
**Turntable hydraulic components mounting (Main valve)**  
**0077110520080000**



**Turntable hydraulic components mounting (Main valve)  
00771105200800000**

NO.	Material No.	Item and Spec	Unit	Remark
1	1140101737	Right angle built-up joint	1	EW28LOMDCF
2	1140102940	End straight coupling	1	GE28LR3/4EDOMDCF
3	1140101461	End straight coupling	4	GE10LREDOMDCF
4	1140101464	End straight coupling	1	GE15LREDOMDCF
5	1140101463	End straight coupling	1	GE12LR1/2EDOMDCF
6	1140111237	End straight coupling	3	GE08LREDOMDCF
7	1140101465	End straight coupling	1	GE15LR3/8EDOMDCF
8	1140102939	End straight coupling	1	GE20SR1/2EDOMDCF
9	1140108469	End straight coupling	1	GE08LR3/8EDOMDCF
10	1140101462	End straight coupling	1	GE12LREDOMDCF
11	1040302489	Washer 10-200HV	2	GB/T97.1-2002
12	1040301502	Washer 10	2	GB/T93-1987
13	1040002434	Bolt M10×25-8.8	2	GB/T5783-2000
14	1010306165	Main valve	1	

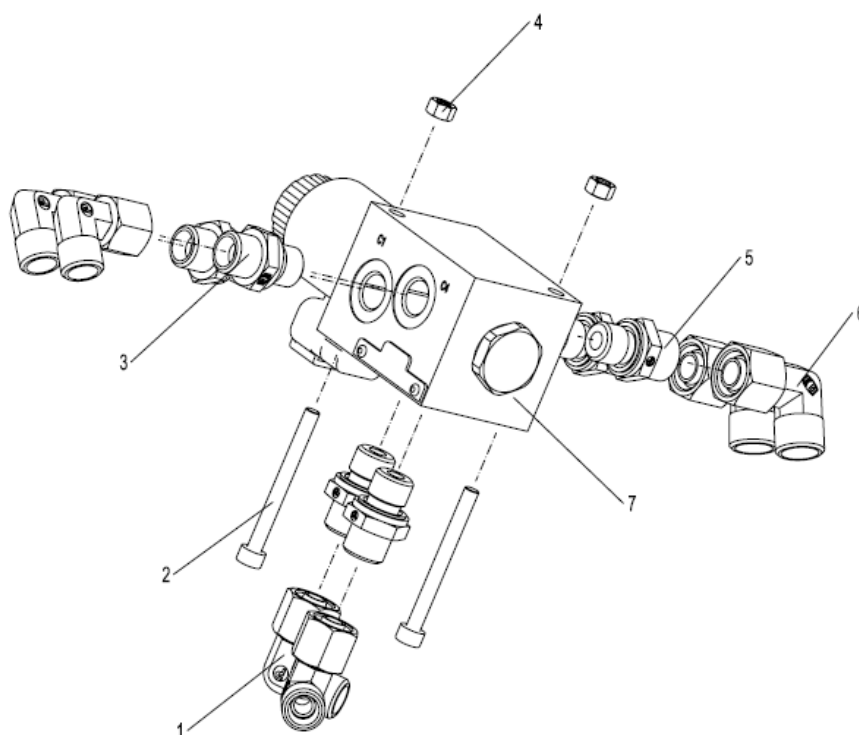
**Turntable hydraulic components mounting (travel control valve)  
0077110520080000**



**Turntable hydraulic components mounting (travel control valve)  
00771105200800000**

<b>NO.</b>	<b>Material No.</b>	<b>Item and Spec</b>	<b>Unit</b>	<b>Remark</b>
1	1140103265	Hex socket end cap	3	VST11/4EDCF
2	1140111237	End straight coupling	4	GE08LREDOMDCF
3	1140114187	Pressure joints	2	SD-M16×2-F-G1/4"
4	1040102739	Screw M8×60-8.8	2	GB/T70.1-2000
5	1140108469	End straight coupling	1	GE08LR3/8EDOMDCF
6	1019807527	Two-speed brake floating block	1	

**Platform hydraulic components mounting (jib valve)  
0077110520100000**

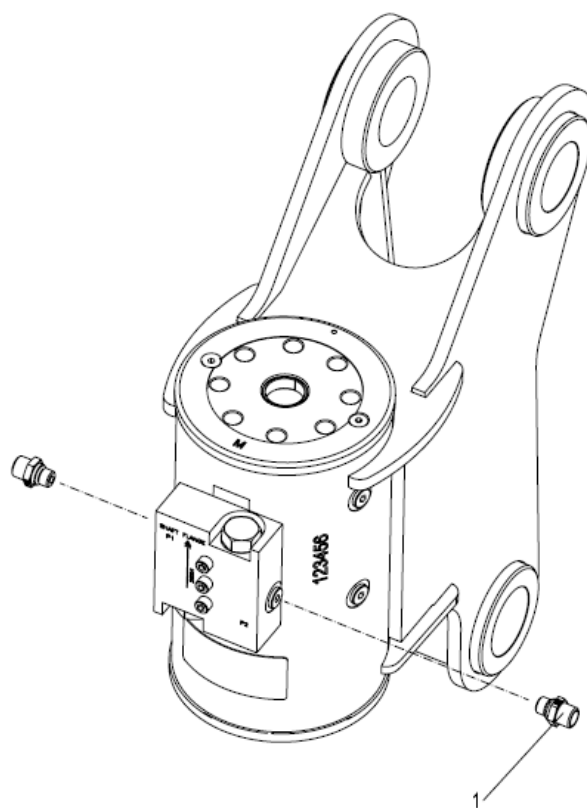




**Platform hydraulic components mounting (jib valve)  
0077110520100000**

<b>NO.</b>	<b>Material No.</b>	<b>Item and Spec</b>	<b>Unit</b>	<b>Remark</b>
1	1140101475	Right angle built-up joint	4	EW08LOMDCF
2	1040103108	Screw M5×50-A2-70	2	GB/T70.1-2000
3	1140111237	End straight coupling	4	GE08LREDOMDCF
4	1040200574	Nut 5	2	GB/T6170-2000
5	1140101461	End straight coupling	2	GE10LREDOMDCF
6	1140101476	Right angle built-up joint	2	EW10LOMDCF
7	1010306016	Platform select valve	1	

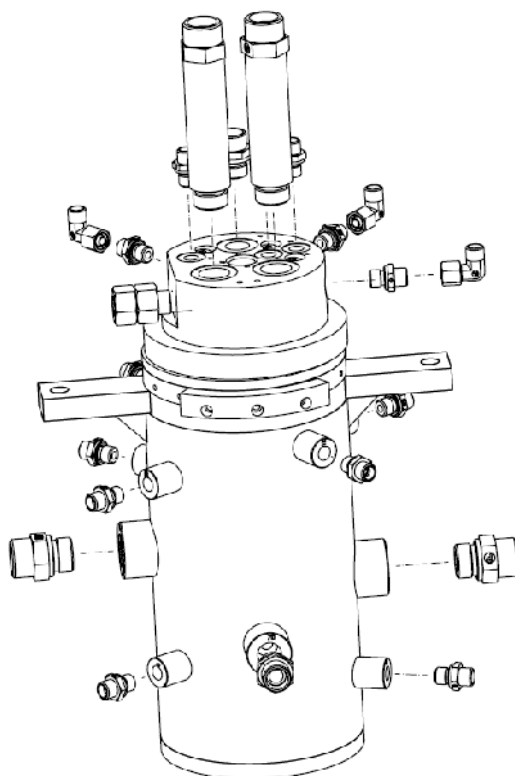
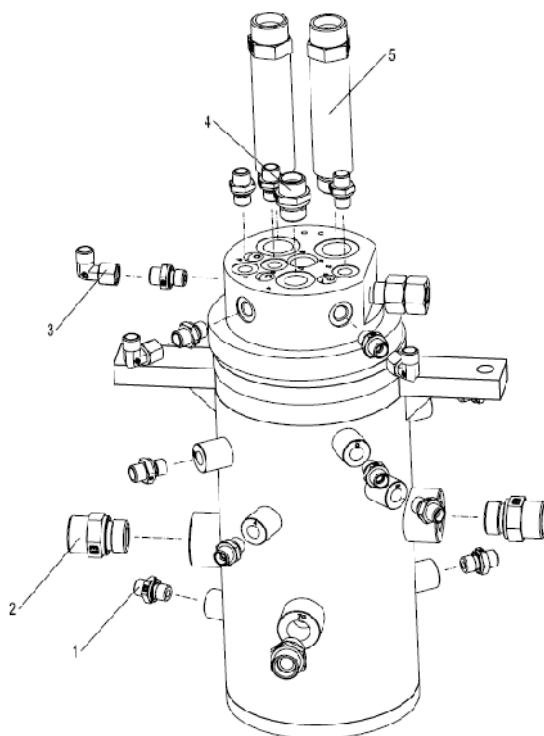
**Platform hydraulic components mounting (rotary actuator)  
0077110520100000**



**Platform hydraulic components mounting (rotary actuator)  
0077110520100000**

<b>NO.</b>	<b>Material No.</b>	<b>Item and Spec</b>	<b>Unit</b>	<b>Remark</b>
1	1140107814	End straight coupling	2	GE08L7/16UNFOMDCF

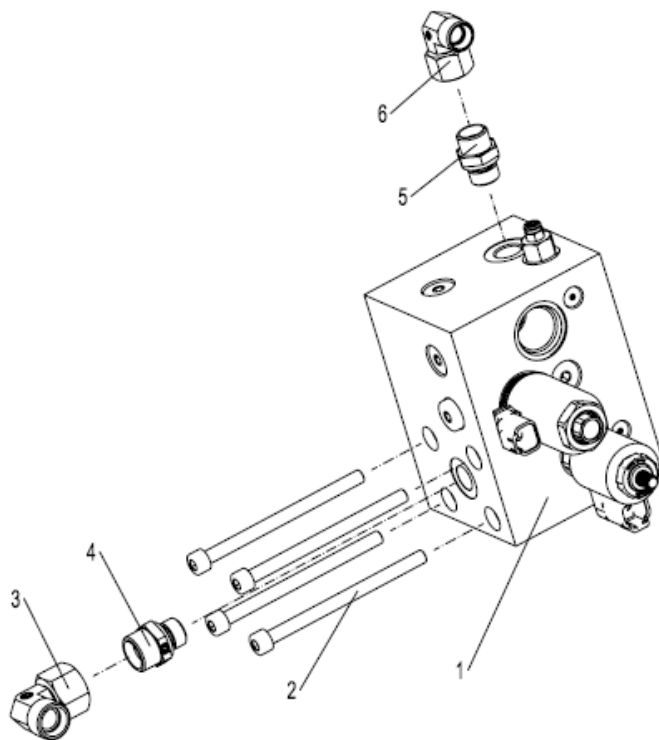
## Center swivel joint installation 00771105201200000



**Center swivel joint installation 00771105201200000**

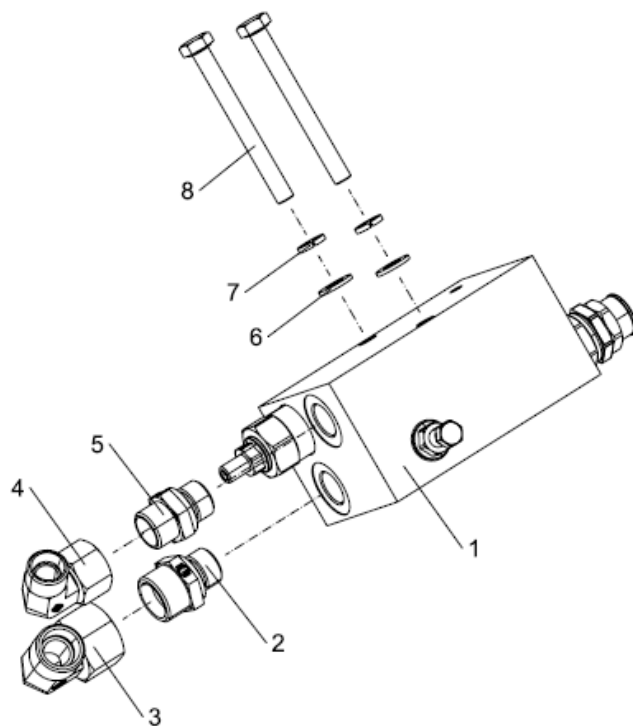
<b>NO.</b>	<b>Material No.</b>	<b>Item and Spec</b>	<b>Unit</b>	<b>Remark</b>
1	1140111237	End straight coupling	14	GE08LREDOMDCF
2	1140101523	End straight coupling	2	GE20SREDOMDCF
3	1140101475	Right angle built-up joint	3	EW08LOMDCF
4	1140101464	End straight coupling	3	GE15LREDOMDCF
5	1140114410	End through extension joint	2	GE20SREDOMDCF-L150

## Balance valve mounting (lifting balance valve) 0077110520140000



**Balance valve mounting (lifting balance valve) 00771105201400000**

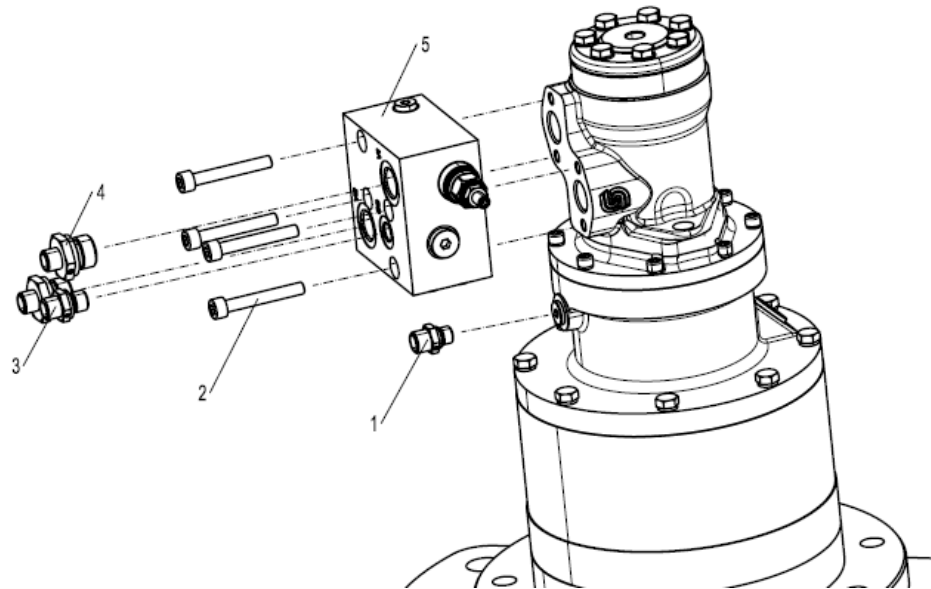
<b>NO.</b>	<b>Material No.</b>	<b>Item and Spec</b>	<b>Unit</b>	<b>Remark</b>
1	1010306161	Lifting balance valve	1	
2	1040103119	Screw M8×110-8.8	4	GB/T70.1-2000
3	1140101478	Right angle built-up joint	1	EW15LOMDCF
4	1140101465	End straight coupling	1	GE15LR3/8EDOMDCF
5	1140101462	End straight coupling	1	GE12LREDDOMDCF
6	1140101477	Right angle built-up joint	1	EW12LOMDCF

**Balance valve mounting (telescopic balance valve) 00771105201400000**



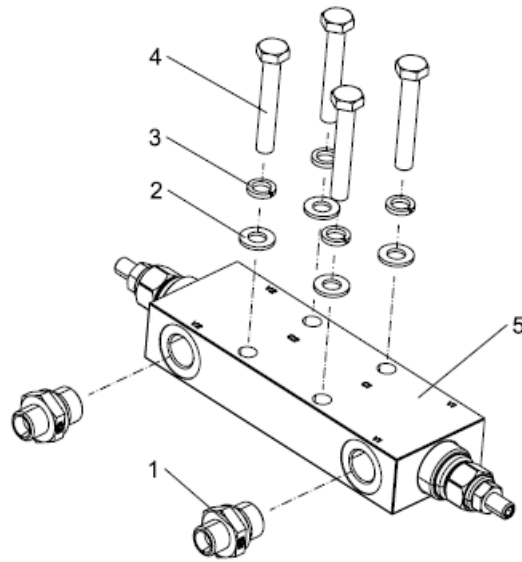
**Balance valve mounting (telescopic balance valve) 0077110520140000**

NO.	Material No.	Item and Spec	Unit	Remark
1	1010306160	Telescopic balance valve	1	
2	1140101465	End straight coupling	1	GE15LR3/8EDOMDCF
3	1140101478	Right angle built-up joint	1	EW15LOMDCF
4	1140101477	Right angle built-up joint	1	EW12LOMDCF
5	1140101462	End straight coupling	1	GE12LREDOMDCF
6	1040301515	Washer 8-200HV	2	GB/T97.1-2002
7	1040301510	Washer 8	2	GB/T93-1987
8	1040004603	Bolt M8×75-8.8	2	GB/T5782-2000

**Balance valve mounting (swing balance valve) 0077110520140000**

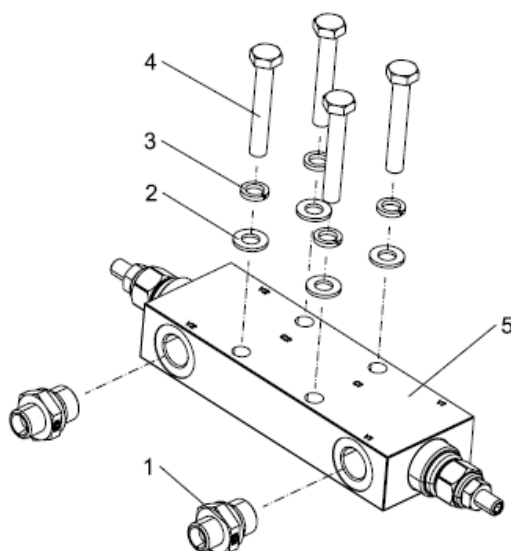
**Balance valve mounting (swing balance valve) 00771105201400000**

<b>NO.</b>	<b>Material No.</b>	<b>Item and Spec</b>	<b>Unit</b>	<b>Remark</b>
1	1140107814	End straight coupling	1	GE08L7/16UNFOMDCF
2	1040102738	Screw M8×55-8.8	4	GB/T70.1-2000
3	1140111237	End straight coupling	1	GE08LREDOMDCF
4	1060300279	End straight coupling	2	GE08LR1/2EDOMDCF
5	1010305715	OMP-OMR motor balance valve (bivalve)	1	

**Balance valve mounting (jib balance valve) 00771105201400000**

**Balance valve mounting (jib balance valve) 00771105201400000**

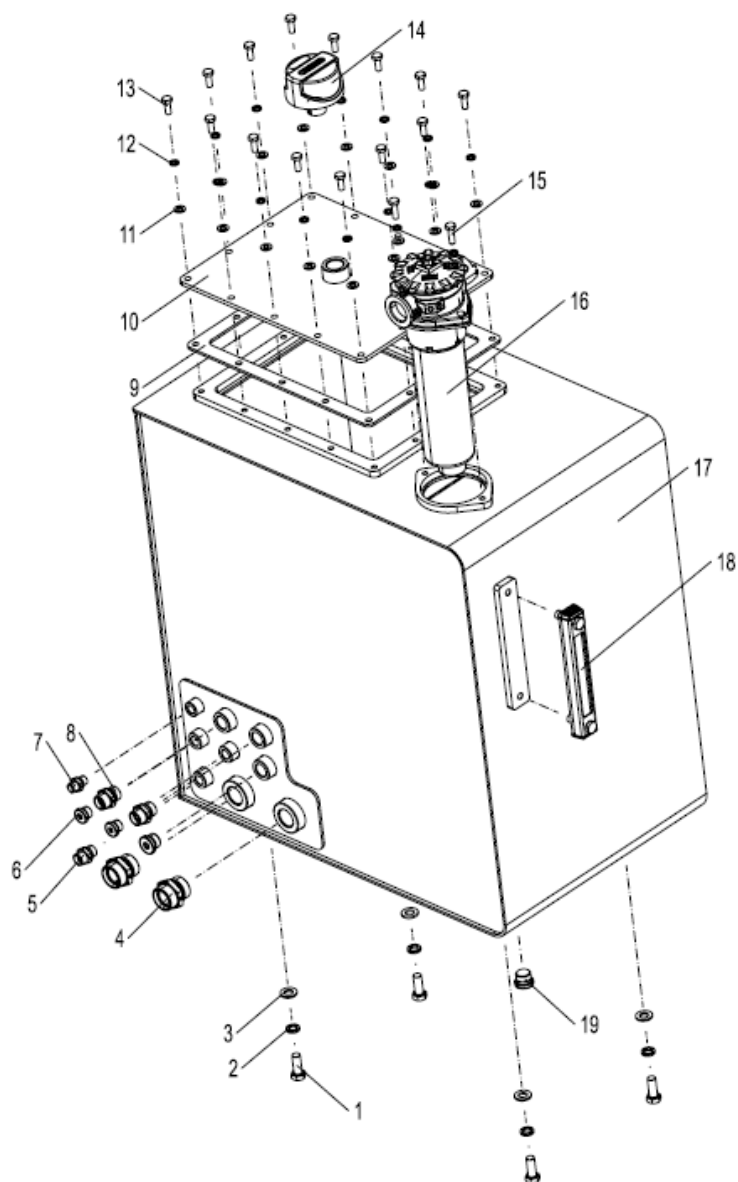
<b>NO.</b>	<b>Material No.</b>	<b>Item and Spec</b>	<b>Unit</b>	<b>Remark</b>
1	1140108469	End straight coupling	2	GE08LR3/8EDOMDCF
2	1040301515	Washer 8-200HV	4	GB/T97.1-2002
3	1040301510	Washer 8	4	GB/T93-1987
4	1040004522	Bolt M8×50-8.8	4	GB/T5783-2000
5	1010305985	Double orifice plate bivalve	1	

**Balance valve mounting (leveling balance valve) 0077110520140000**

**Balance valve mounting (leveling balance valve) 00771105201400000**

<b>NO.</b>	<b>Material No.</b>	<b>Item and Spec</b>	<b>Unit</b>	<b>Remark</b>
1	1140108469	End straight coupling	2	GE08LR3/8EDOMDCF
2	1040301515	Washer 8-200HV	4	GB/T97.1-2002
3	1040301510	Washer 8	4	GB/T93-1987
4	1040004522	Bolt M8×50-8.8	4	GB/T5783-2000
5	1010305985	Double orifice plate bivalve	1	

## Hydraulic oil tank 00771105201600000





## Hydraulic oil tank 00771105201600000

NO.	Material No.	Item and Spec	Unit	Remark
1	1040004511	Bolt M12×30-8.8	4	GB/T5783-2000
2	1040301503	Washer 12	4	GB/T93-1987
3	1040302490	Washer 12-200HV	4	GB/T97.1-2002
4	1140103362	End straight coupling	2	GE28LREDOMDCF
5	1140101462	End straight coupling	1	GE12LREDOMDCF
6	1140101629	Hex socket end cap	2	VSTI3/8EDCF
7	1140111237	End straight coupling	1	GE08LREDOMDCF
8	1140101464	End straight coupling	2	GE15LREDOMDCF
9	00771405201601010	Cover plate rubber pad	1	
10	00771405201620000	Cover assembly	1	
11	1040301515	Washer 8-200HV	16	GB/T97.1-2002
12	1040301510	Washer 8	16	GB/T93-1987
13	1040004518	Bolt M8×20-8.8	14	GB/T5783-2000
14	1010500340	Air filter	1	
15	1040004519	Bolt M8×25-8.8	2	GB/T5783-2000
16	1010601139	Return oil filter	1	
17	00771105201610000	Oil tank	1	
18	1019901354	Liquid level thermometer	1	
19	1140107416	Hex socket end cap	2	VSTI1/2EDCF

# **ZOOMLION**

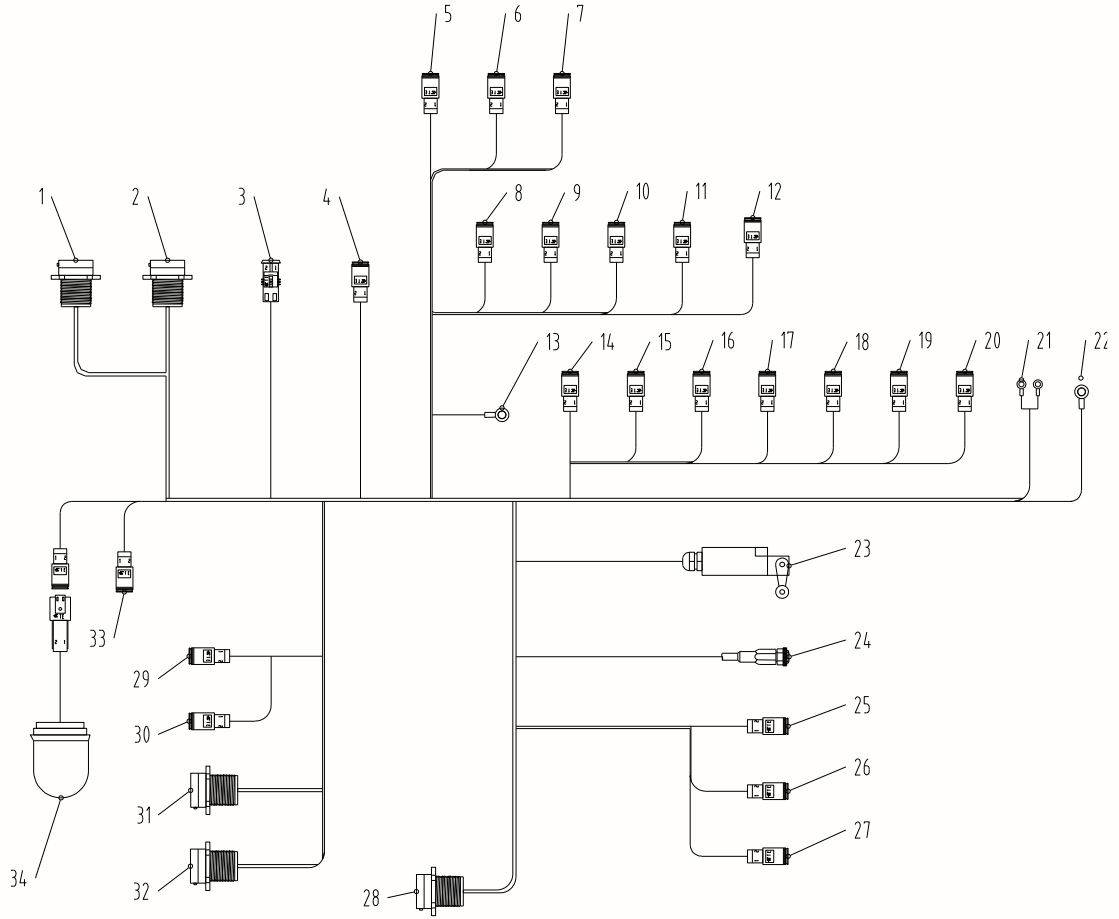
**Parts Manual**

**Section 7 Electrical System**





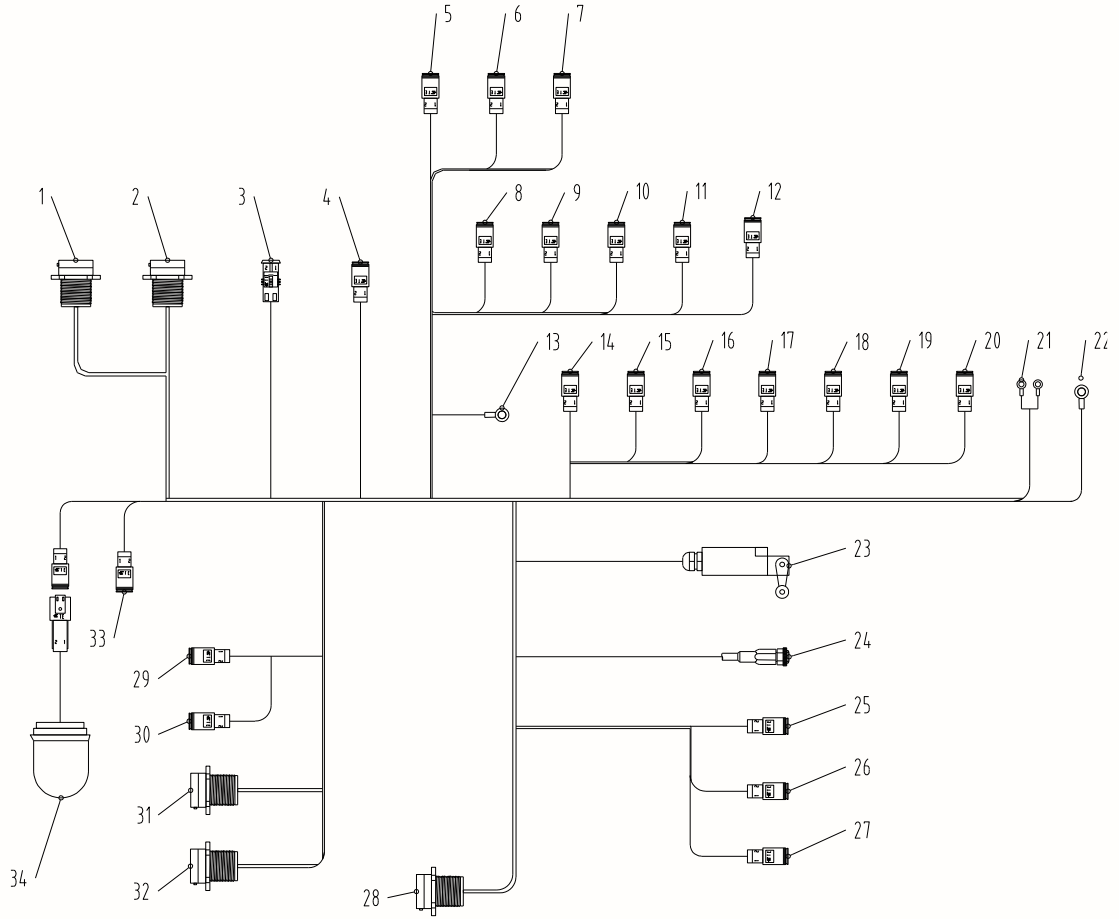
## Turntable cables 00771106210410000 (Perkins)



**Turntable cables 00771106210410000 (Perkins) Terminal component**

<b>NO.</b>	<b>Material No.</b>	<b>Item and Spec</b>	<b>Unit</b>	<b>Mark No.</b>
1	00771106210210000	Turntable electrical box	1	1
2	1020304982	Buzzer /GFB-202-G	1	14
3	1029906298	Turntable corner limit switch	1	23
4	1021404019	Tilt angle sensor/AMU-CBO	1	24
5	00771106210420000	ECU cables	1	28
6	00771106200610000	Cable restructuring	1	31
7	00771106200430000	Boom cables	1	32
8	1020404399	Work alarm/JD90A-H03Y012	1	34

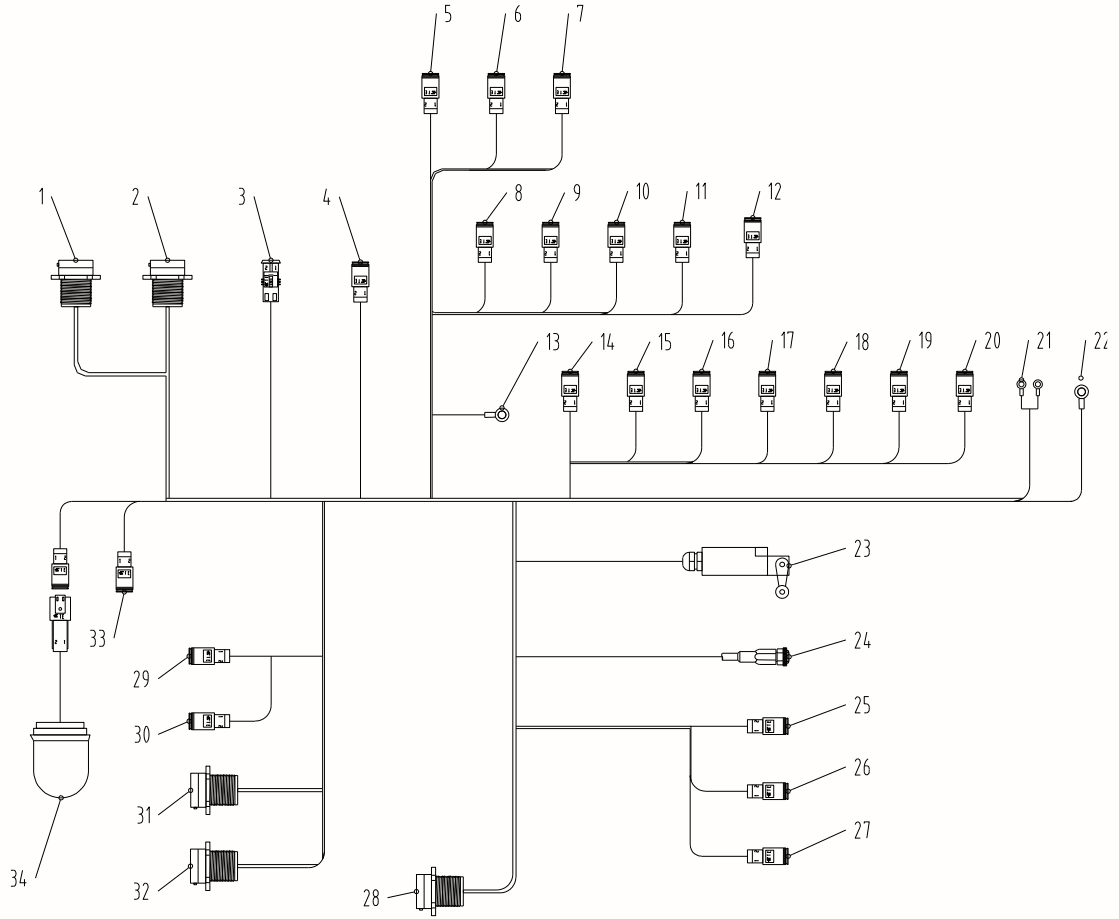
## Turntable cables 00771106210410000 (Perkins)



### Turntable cables 00771106210410000(Perkins) connector

NO.	Material No.	Item and Spec	Unit	Mark No.
1	1029903316	socket sheath/DSLCT-4801	1	1
2	1029902632	Terminal/DSLCT-0201female pin	46	
3	1029900402	ITT cutting sleeve/HM 26ITT	1	
4	1029902634	cutting sleeve/DSLCT-032	1	2
5	1029900402	ITT cutting sleeve/HM 26ITT	1	
6	1029902632	Terminal/DSLCT-0201female pin	23	
7	1029902630	Terminal/DSLCT-0101 female pin	6	28
8	1029902634	cutting sleeve/DSLCT-032	1	
9	1029900402	ITT cutting sleeve/HM 26ITT	1	
10	1029902632	Terminal/DSLCT-0201female pin	14	
11	1029902630	Terminal/DSLCT-0101 female pin	4	31
12	1020703399	Circular connector/HD36-18-14SN	1	
13	1020700543	Contact pin/1062-16-0122	8	32
14	1020702639	Deutsch connector/HD34-18-14PN	1	
15	1020700969	Contact pin/1060-16-0122	11	
16	1020703635	Protecting case/7807128	1	3
17	1022202106	cutting sleeve/282080-1	1	
18	1029900316	Terminal/282110-1	2	
19	1029900317	Waterproof plug/281934-2	1	
20	1022200646	Connector attachment/1011-227-0205	21	4、.....、20、25、26、27、29、30、
21	1020700951	Connector/DT06-2S	21	
22	1022200194	Latch/W2S	21	33
23	1020700543	Contact pin/1062-16-0122	42	24
24	1020701702	Sensor cable/EVC070	1	

Turntable cables 00771106200410000 (Deutz D435)

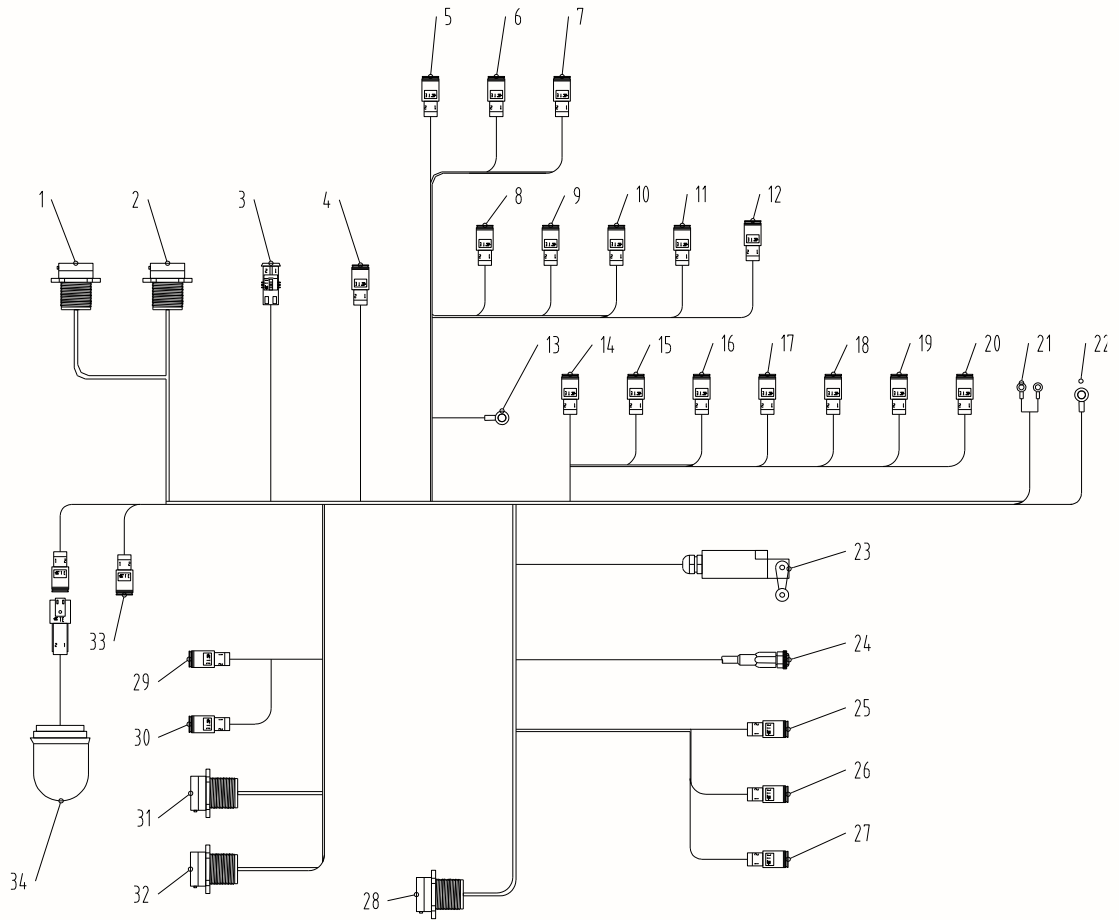




**Turntable cables 00771106200410000 (Deutz D435) Terminal components**

<b>NO.</b>	<b>Material No.</b>	<b>Item and Spec</b>	<b>Unit</b>	<b>Mark No.</b>
1	00771106200210000	Turntable electrical box 1	1	1
2	1020304982	Buzzer	1	14
3	1029906298	Turntable corner limit switch	1	23
4	1021404019	Tilt angle sensor	1	24
5	00771106200420000	ECU cables	1	28
6	00771106200610000	Cable restructuring	1	31
7	00771106200430000	Boom cables	1	32
8	1020404399	Work alarm	1	34

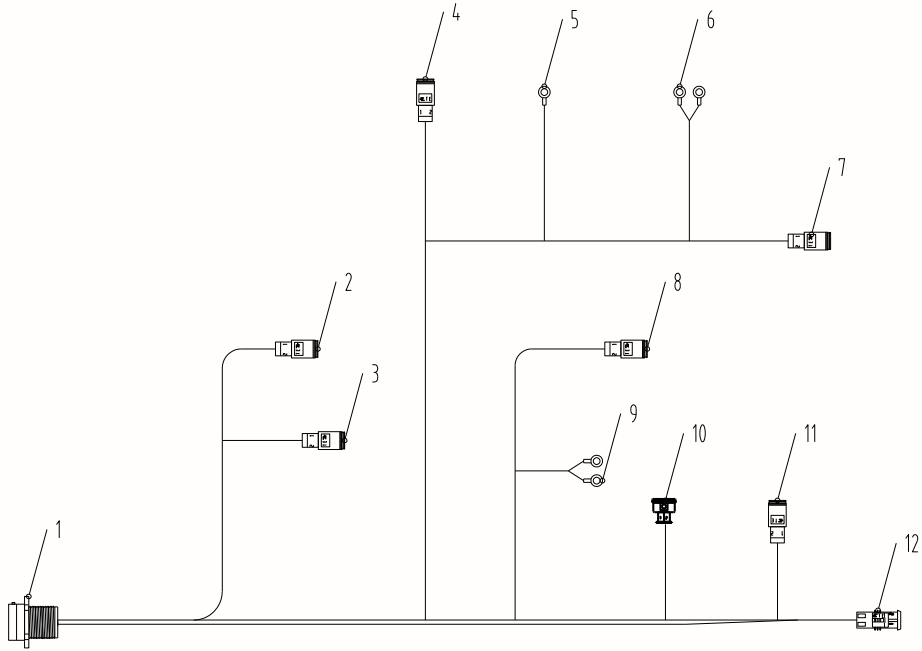
## Turntable cables 00771106200410000 (Deutz D435)



### Turntable cables 00771106210410000 (Deutz D435) connector

NO.	Material No.	Item and Spec	Unit	Mark No.
1	1029903316	socket sheath/DSLCT-4801	1	1
2	1029902632	Terminal/DSLCT-0201 female pin	40	
3	1029900402	ITTcutting sleeve/HM 26ITT	1	
4	1029902634	cutting sleeve/DSLCT0032	1	2
5	1029900402	ITTcutting sleeve/HM 26ITT	1	
6	1029902632	Terminal/DSLCT-0201 female pin	23	
7	1029902630	Terminal/DSLCT-0101 female pin	6	28
8	1029902634	cutting sleeve/DSLCT0032	1	
9	1029900402	ITTcutting sleeve/HM 26ITT	1	
10	1029902632	Terminal/DSLCT-0201 female pin	10	
11	1029902630	Terminal/DSLCT-0101 female pin	3	32
12	1020703399	Circular connector/HD36-18-14SN	1	
13	1020700543	Contact pin/1062-16-0122	11	21
14	1020702639	Deutsch connector/HD34-18-14PN	1	
15	1020700969	Contact pin/1060-16-0122	8	
16	1020703635	Protecting case/7807128	1	3
17	1022202106	cutting sleeve/282080-1	1	
18	1029900316	Terminal/282110-1	2	
19	1029900317	Waterproof plug/281934-2	1	
20	1022200646	Connector attachment/1011-227-0205	21	4、.....、20、25、26、27、29、30、
21	1020700951	Connector/DT06-2S	21	
22	1022200194	Latch/W2S	21	33
23	1020700543	Contact pin/1062-16-0122	42	24
24	1020701702	Sensor cable/EVC070	1	

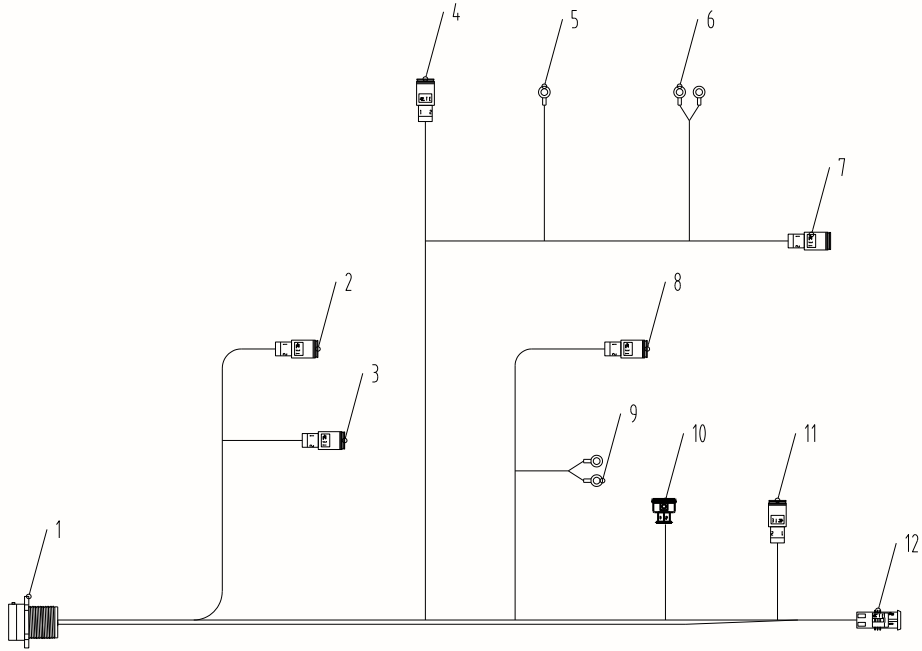
ECU cables 00771106210420000 (Perkins)



**ECU cables00771106210420000(Perkins)Terminal components**

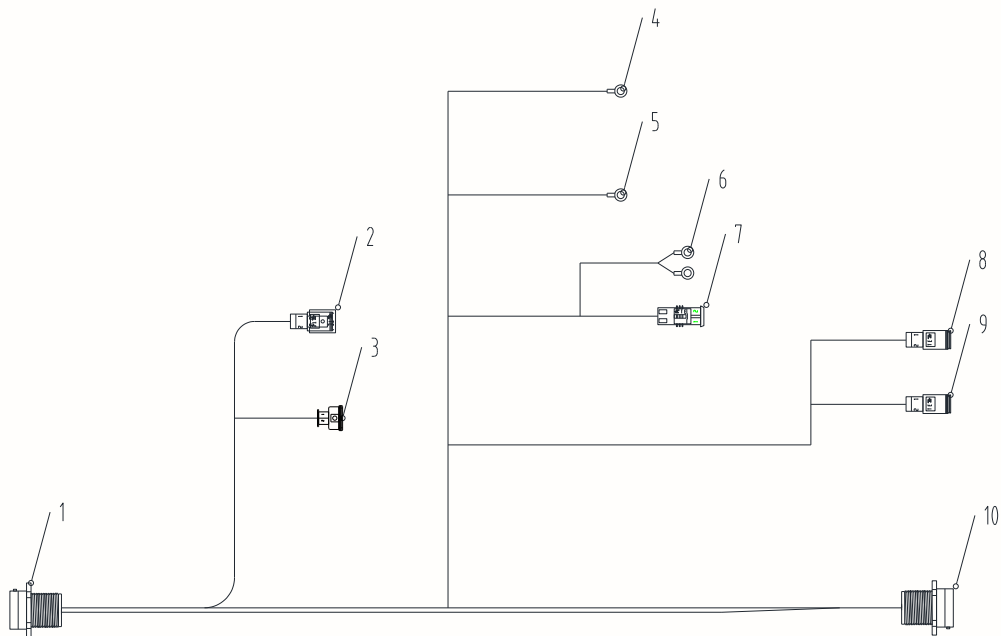
<b>NO.</b>	<b>Material No.</b>	<b>Item and Spec</b>	<b>Unit</b>	<b>Mark No.</b>
1	00771106210410000	Turntable cables	1	1
2	1020104107	Accelerator machine controller	1	4
3	1020305006	Preheating relay	1	9

ECU cables 00771106210420000(Perkins)



## ECU cables00771106210420000 (Perkins) connector

NO.	Material No.	Item and Spec	Unit	Mark No.
1	1029902634	cutting sleeve/DSLCT-0032	1	1
2	1029900402	ITTcutting sleeve/HM 26ITT	1	
3	1029902633	Terminal/DSLCT-0202 male pin	14	
4	1029902631	Terminal/DSLCT-0102 male pin	4	
5	1022200646	Connector attachment/1011-227-0205	5	2、3、7、8、11
6	1020700951	Connector/DT06-2S	5	
7	1022200194	Latch/W2S	5	
8	1020700543	Terminal/1062-16-0122	10	
9	1022200647	Plastic rear cover/1011-237-0405	1	4
10	1020700953	cutting sleeve/DT04-4P	1	
11	1020700954	Latch/W4P	1	
12	1020701495	Terminal/1060-16-0122	4	
13	1029900002	cutting sleeve/282189-1	1	10
14	1029900129	Terminal/927770-1	2	
15	/	Waterproof plug/828904-1	1	
16	1020703635	Protecting case/7807128	1	
17	1020703635	Protecting case/7807128	1	12
18	1022202106	cutting sleeve/282080-1	1	
19	1029900316	Terminal/282110-1	2	
20	1029900317	Waterproof plug/281934-2	1	

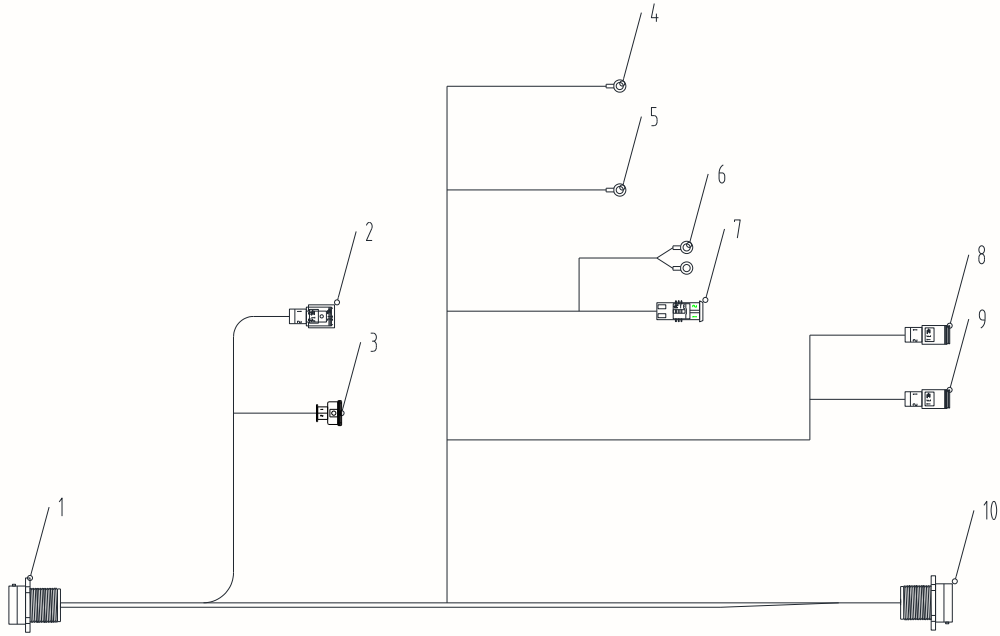
**ECU cables 00771106200420000 (Deutz D435)**



**ECU cables00771106200420000 (Deutz D435) Terminal components**

<b>NO.</b>	<b>Material No.</b>	<b>Item and Spec</b>	<b>Unit</b>	<b>Mark No.</b>
1	00771106200410000	Turntable cables	1	1
2	1020305006	Preheating relay	1	6

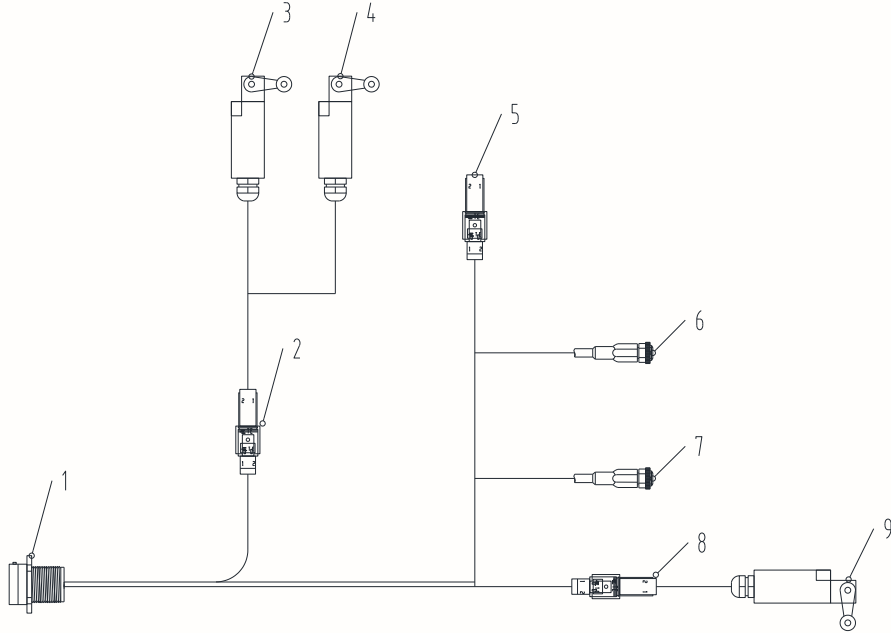
ECU cables 00771106200420000 (Deutz D435)



## ECU cables00771106200420000 (Deutz D435) connector

NO.	Material No.	Item and Spec	Unit	Mark No.
1	1029901896	Rear cover/1011-231-0305	1	2
2	1022259178	Connector/DT06-3S	1	
3	1020700590	Latch/W3S-1939-P012	1	
4	1020700543	Terminal/1062-16-0122	3	
5	1020700540	Connector/DT04-3P-P006	1	
6	1022260073	Latch/W3P	1	
7	1029900002	Cutting sleeve/282189-1	1	7
8	1029900129	Terminal/927770-1	2	
9	/	Waterproof plug/828904-1	1	
10	1020703635	Protecting case/7807128	1	
11	1022200646	Connector attachment/1011-227-0205	2	8、9
12	1020700951	Connector/DT06-2S	2	
13	1022200194	Latch/W2S	2	
14	1020700543	Terminal/1062-16-0122	4	
15	1029902634	Cutting sleeve/DSLCT-0032	1	10
16	1029900402	ITT cutting sleeve/HM 26ITT	1	
17	1029902633	Male pin/DSLCT-0202 male pin	10	
18	1029902631	Male pin/DSLCT-0102 male pin	4	

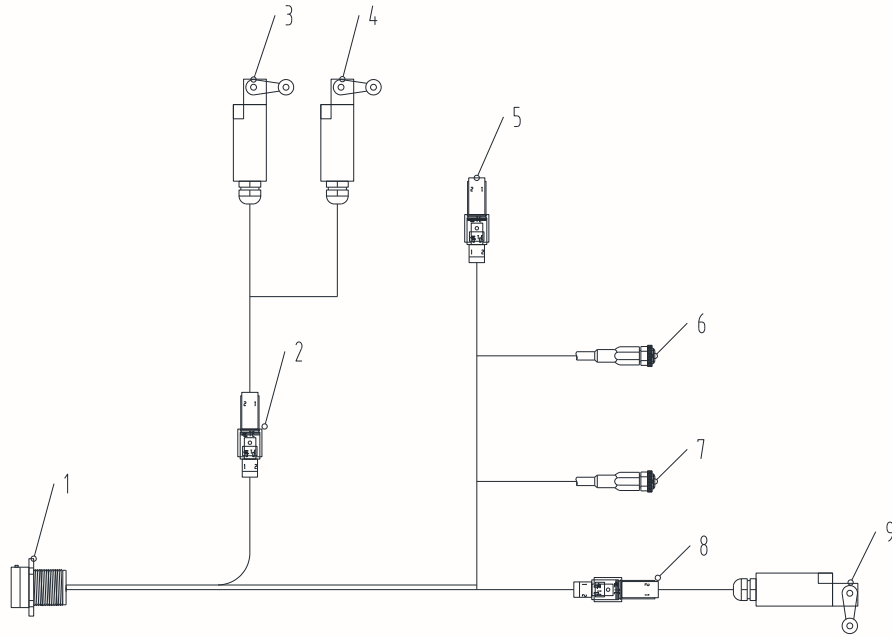
**Boom cables 00771106200430000**



**Boom cables 00771106200430000 Terminal components**

<b>NO.</b>	<b>Material No.</b>	<b>Item and Spec</b>	<b>Unit</b>	<b>Mark No.</b>
1	00771106200410000/ 00771106210410000	Turntable cables	1	1
2	1020516032	Boom length limit switch(stowed)	1	2
3	1020516032	Boom length limit switch(stowed)	1	3
4	1020700540	Terminal resistance	1	4
5	1021404017	Boom length sensor	1	5
6	1021404018	Boom leveling sensor	1	6
7	1020516032	Wire rope loose limit switch	1	7

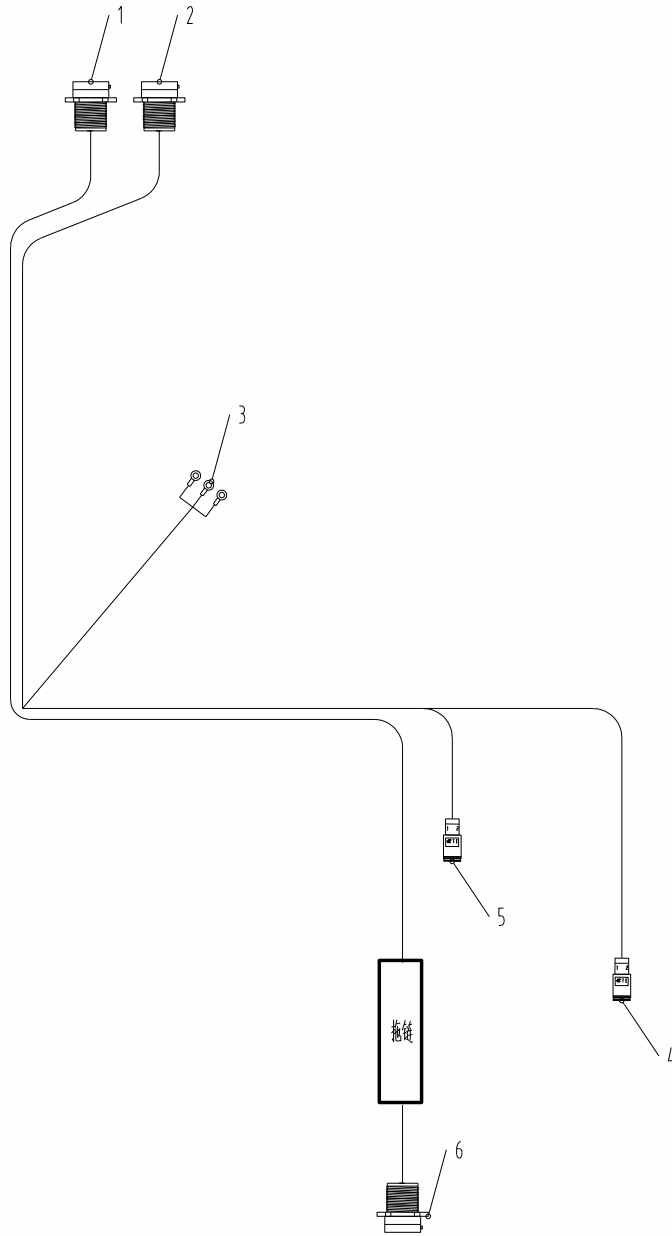
## Boom cables 00771106200430000



### Boom cables 00771106200430000 connector

NO.	Material No.	Item and Spec	Unit	Mark No.
1	1020702639	Round connector/HD34-18-14PN	1	1
2	1020700543	Contact pin/1062-16-0122	8	
3	1029900385	Connector/DTM06-3S	1	
4	1029900387	Latch/WM-3S	1	2
5	1020701496	Plug/1062-20-0122	3	
6	1029900389	Plastic rear cover/DTM3S-BT	1	
7	1029900384	Connector/DTM04-3P	1	
8	1029900386	Latch/WM-3P	1	
9	1020701495	Plug/1060-20-0122	3	
10	1029900388	Plastic rear cover/DTM3P-BT	1	
11	1029901896	Plastic rear cover/1011-231-0305	1	5
12	1022259178	Connector/DT06-3S	1	
13	1020700590	Latch/W3S-1939-P012	1	
14	1020701496	Socket/1062-16-0122	3	
15	1020700540	Connector/DT04-3P-P006	1	
16	1022260073	Latch/W3P	1	
17	1020701702	Sensor cable/EVC070	2	6、7
18	1020700949	Connector/DT04-2P	1	8
19	1022260070	Latch/W2P	1	
20	1020700969	Plug/1060-16-0122	2	
21	1022200645	Connector attachment/1011-229-0205	1	
22	1020700951	Connector/DT06-2S	1	
23	1022200194	Latch/W2S	1	
24	1020700543	Contact pin/1062-16-0122	2	
25	1022200646	Connector attachment/1011-227-0205	1	

**Platform cables 00771106200440000**  
**Cable restructuring 00771106200610000**

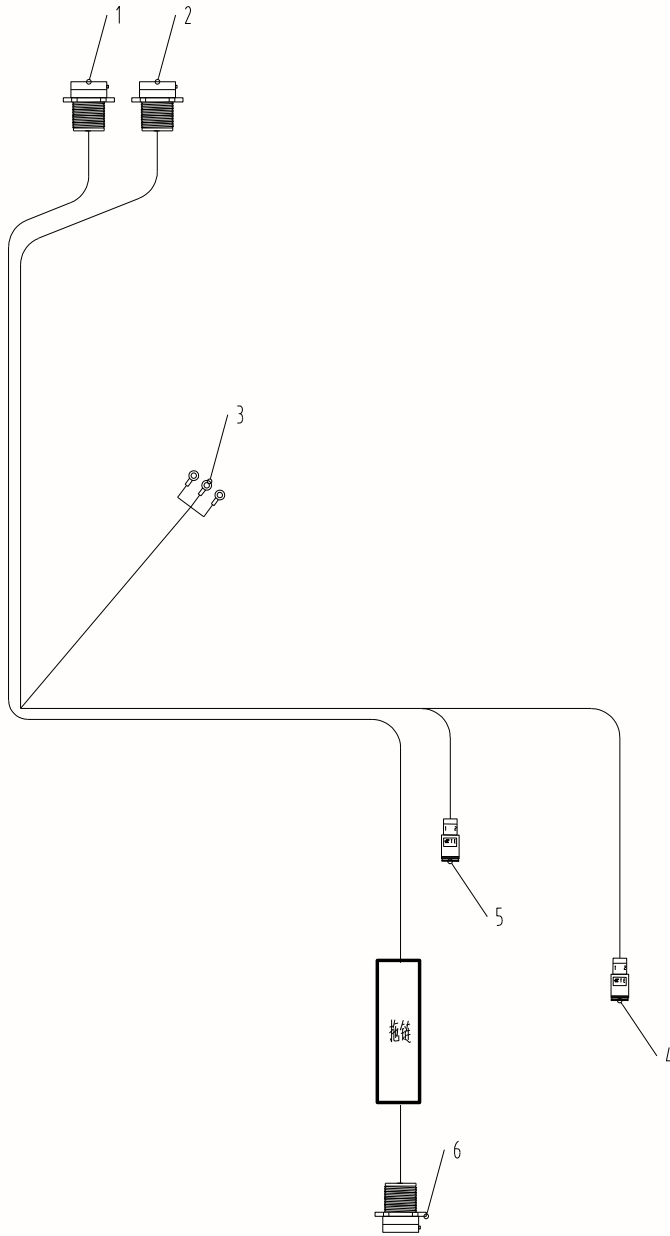




**Platform cables 00771106200440000 Terminal components**  
**Cable restructuring 00771106200610000 Terminal components**

<b>NO.</b>	<b>Material No.</b>	<b>Item and Spec</b>	<b>Unit</b>	<b>Mark No.</b>
1	00771106200210000	Platform electrical box	1	1
2	1020521022	Foot switch	1	3
3	1021404016	Load cell	1	5

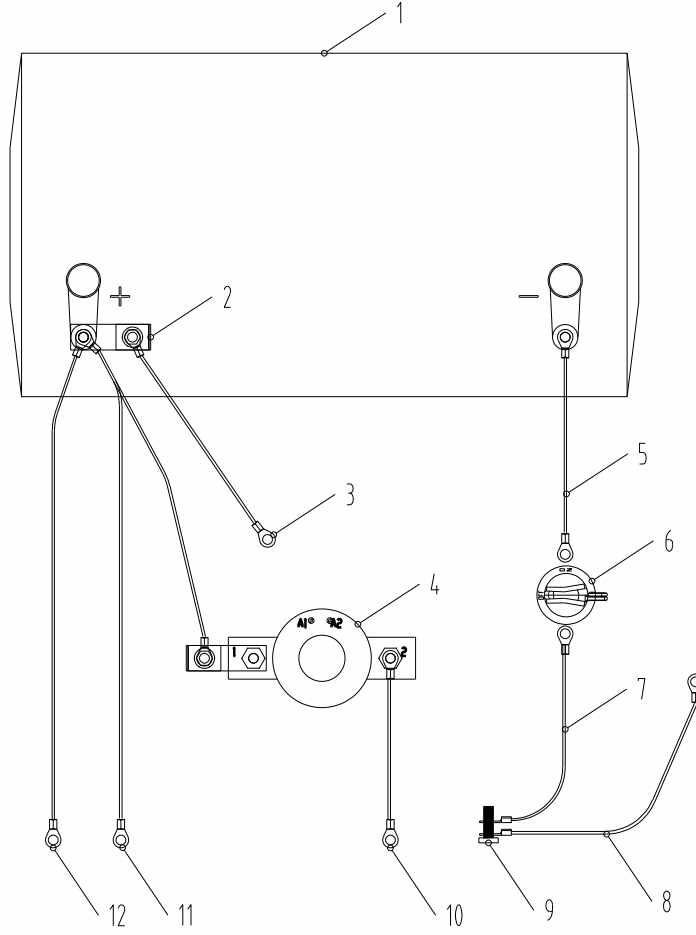
**Platform cables 00771106200440000**  
**Cable restructuring 00771106200610000**



**Platform cables 00771106200440000 connector**  
**Cable restructuring 00771106200610000 connector**

NO.	Material No.	Item and Spec	Unit	Mark No.
1	1020700542	Cable marker/HD36-24-31SE-059	1	1
2	1020700543	Contact pin/1062-16-0122	11	
3	1022200446	23 hole Connector/HD36-24-23ST	1	2
4	1020700543	Contact pin/1062-16-0122	9	
5	1022200647	Plastic rear cover/1011-237-0405	1	4
6	1020700953	socket sheath/DT04-4P	1	
7	1022260075	Latch/W4P	1	
8	1020700969	Contact pin/1060-16-0122	2	
9	1022200646	Connector attachment/1011-227-0205	1	5
10	1020700951	Connector/DT06-2S	1	
11	1022200194	Latch/W2S	1	
12	1020700543	Contact pin/1062-16-0122	2	
13	1020703399	Circular connector/HD36-18-14SN	1	6
14	1020700543	Contact pin/1062-16-0122	11	

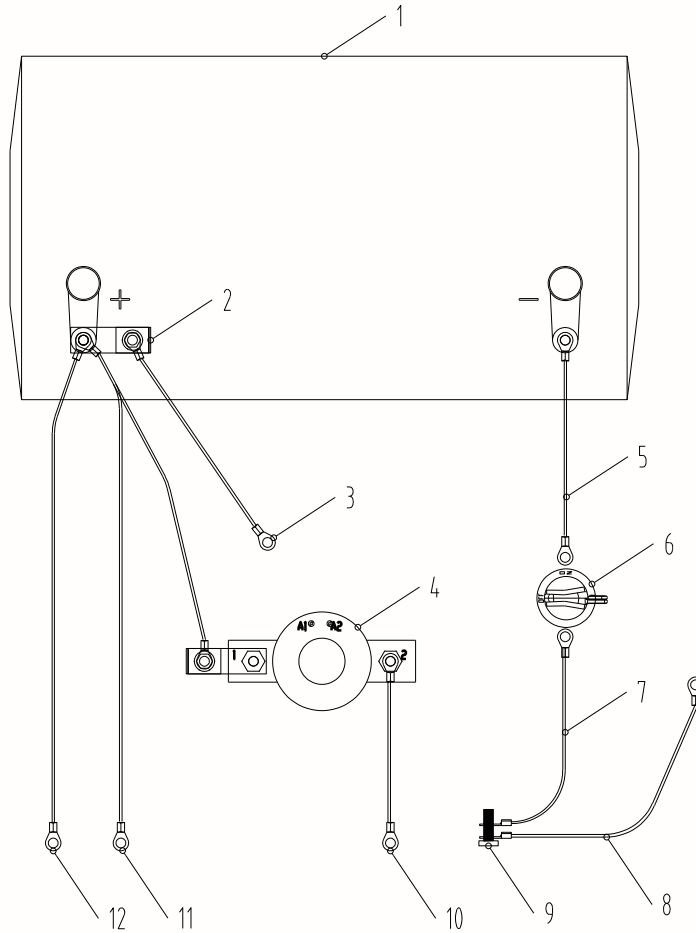
Power line 00771106210450000 (Perkins)



**Power line 00771106210450000 (Perkins)Terminal components**

NO.	Material No.	Item and Spec	Unit	Mark No.
1	1029905348	Battery	1	1
2	1020605356	Annular assurance	2	2
	0067220632181001A-c	Annular assurance bracket	2	
	1020402443	Insulation nut	2	
3	00771106200450050	Auxiliary pump and insurance cables	1	3
4	1020305006	DC contactor	1	4
5	00771106200450020	Battery negative to manual switch connection	1	5
6	1029900667	Manual switch	1	6
7	00771106200450030	Manual switch to ground wire	1	7
8	00771106200450060	Engine and negative ground wire	1	8
9	00771106210450100	Relay and pre-heater connecting wire	1	10
10	00771106200450070	Battery and preheating insurance and generator connecting wire	1	11
11	00771106200450010	Battery and starting motor connecting wire	1	12

## Power line 00771106200450000 (Deutz D435)



**Power line 00771106200450000 (Deutz D435) Terminal components**

NO.	Material No.	Item and Spec	Unit	Mark No.
1	1029905348	Battery	1	1
2	1020605356	Annular assurance	2	2
	0067220632181001A-c	Annular assurance bracket	2	
	1020402443	Insulation nut	2	
3	00771106200450050	Auxiliary pump and insurance cables	1	3
4	1020305006	DC contactor	1	4
5	00771106200450020	Battery negative to manual switch connection	1	5
6	1029900667	Manual switch	1	6
7	00771106200450030	Manual switch to ground wire	1	7
8	00771106200450060	Engine and negative ground wire	1	8
9	00773406200450090	Relay and preheater connecting wire	1	10
10	00771106200450070	Battery and preheating insurance and generator connecting wire	1	11
11	00771106200450010	Battery and starting motor connecting wire	1	12

# **ZOOMLION**

**Parts Manual**

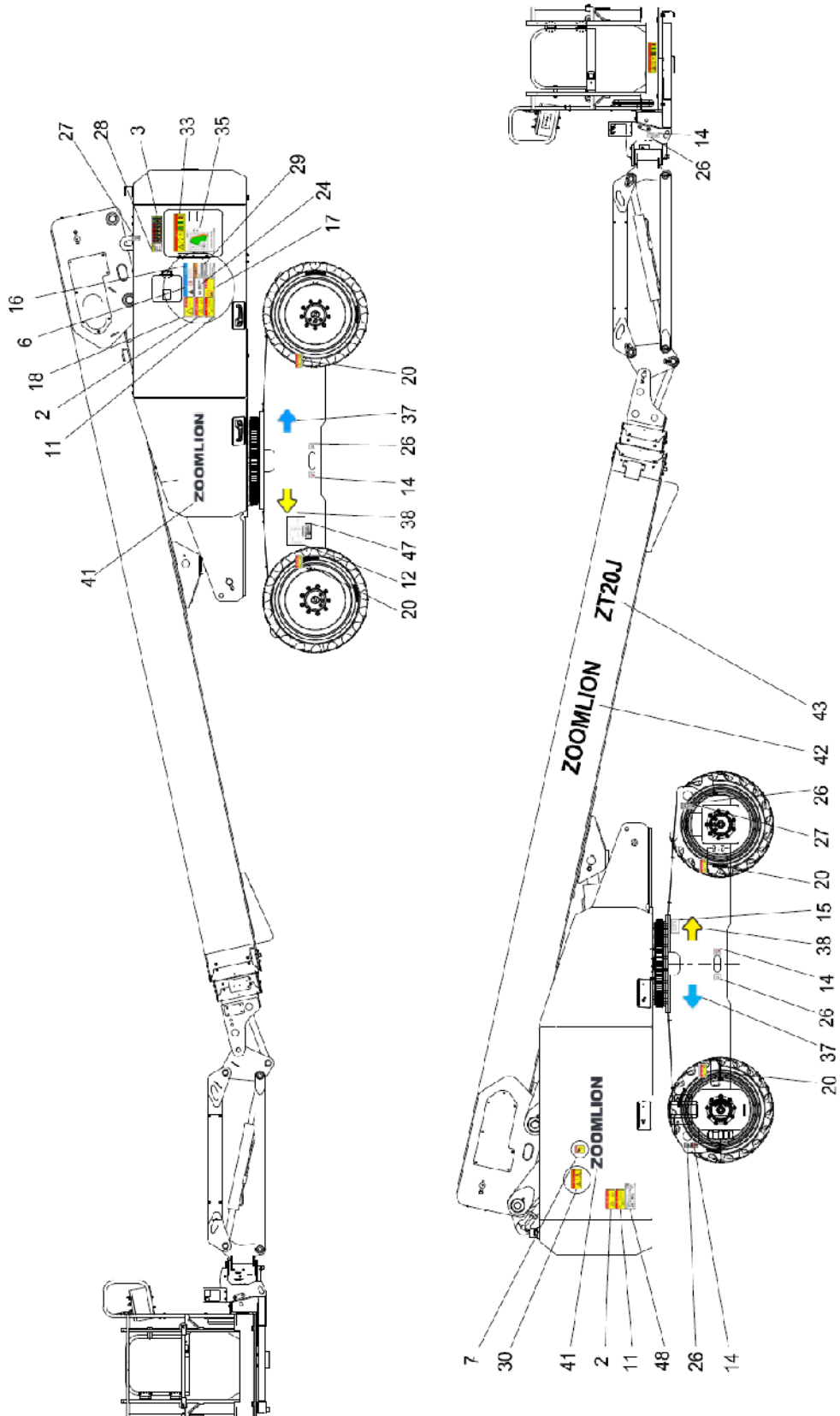
**Section 8 Lable Assembly**







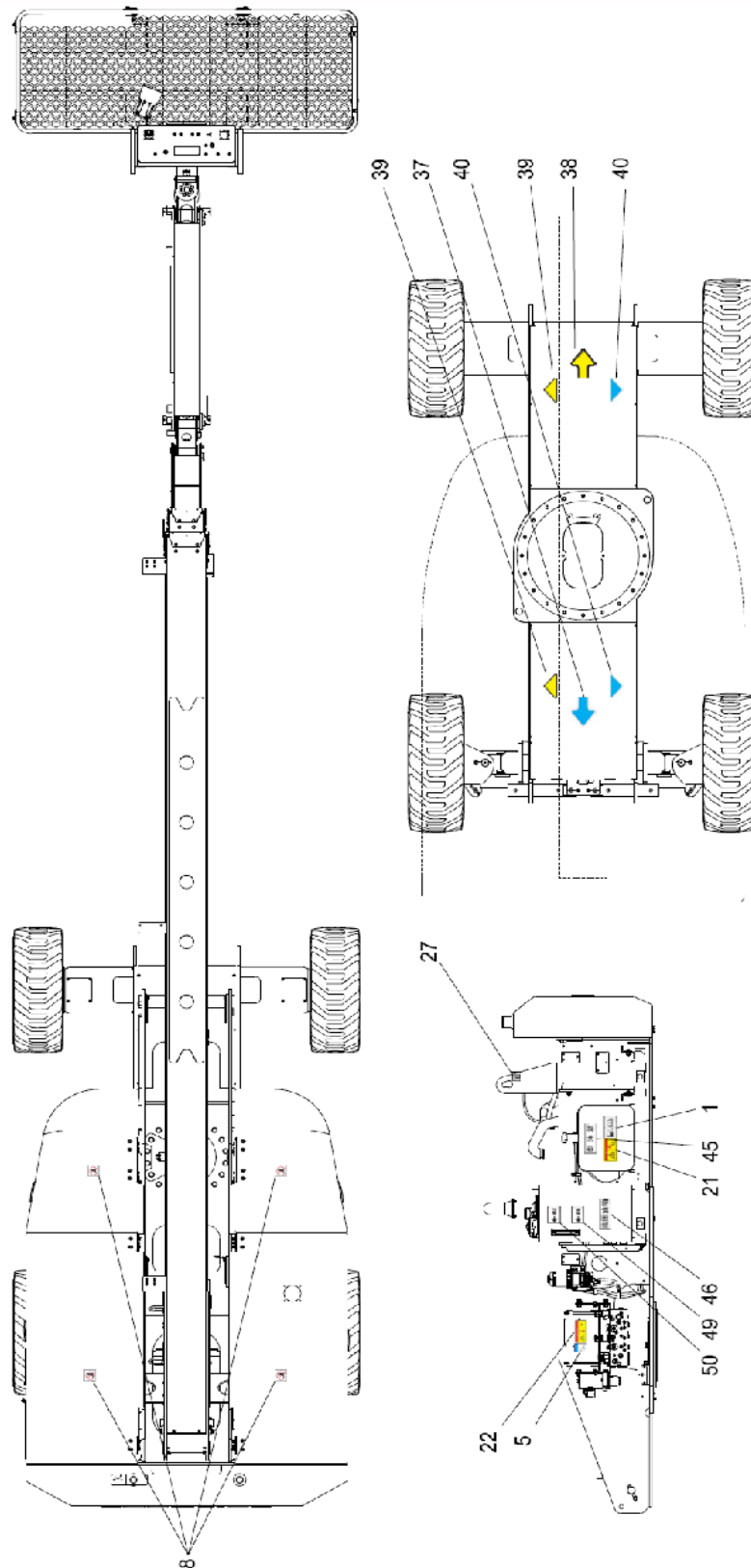
## Label assembly 0077110700000000



## Label assembly 0077110700000000

NO.	Material No.	Item and Spec	Unit	Remark
2	00773407000201070	Electrocution hazard	6	
3	00773407000201080	Ground control box instruction	1	
6	00773407000201160	Trained and authorized personnel only	1	
7	00773407000201170	No touch	1	
11	00773407000201210	Extrusion hazard	3	
12	00773407000201220	ZT20J plate	1	
14	00773407000201240	No lifting	6	
15	00773407000201250	Stop pins must be inserted during transportation	1	
16	00773407000201260	Precautions for use	2	
17	00773407000201270	Prohibition of high-pressure water flushing	3	
18	00773407000201310	Never change the limit switch	1	
20	00773407000201360	Tilt hazard and tire	4	
24	00773407000201400	Read instruction carefully	1	
26	00773407000201420	Tie down	8	
27	00773407000201430	Lifting	4	
28	00773407000201440	Main power switch operating instruction	1	
29	00773407000201450	Inspection before operation	2	
30	00773407000201470	Burn preventing	1	
33	00771107000201020	Overturning hazard	4	
35	00771107000201010	Range of motion diagram	2	
37	00771407000201080	Blue arrow	3	
38	00771407000201090	Yellow arrow	3	
41	00773407000201030	Covering parts ZOOMLION LOGO2	2	
42	00771407000201130	Boom ZOOMLION LOGO	1	
43	00771107000201040	Model No.	1	
47	00771407000201170	Environmental information label	1	
48	00771107000201030	Transport and lifting instruction	1	

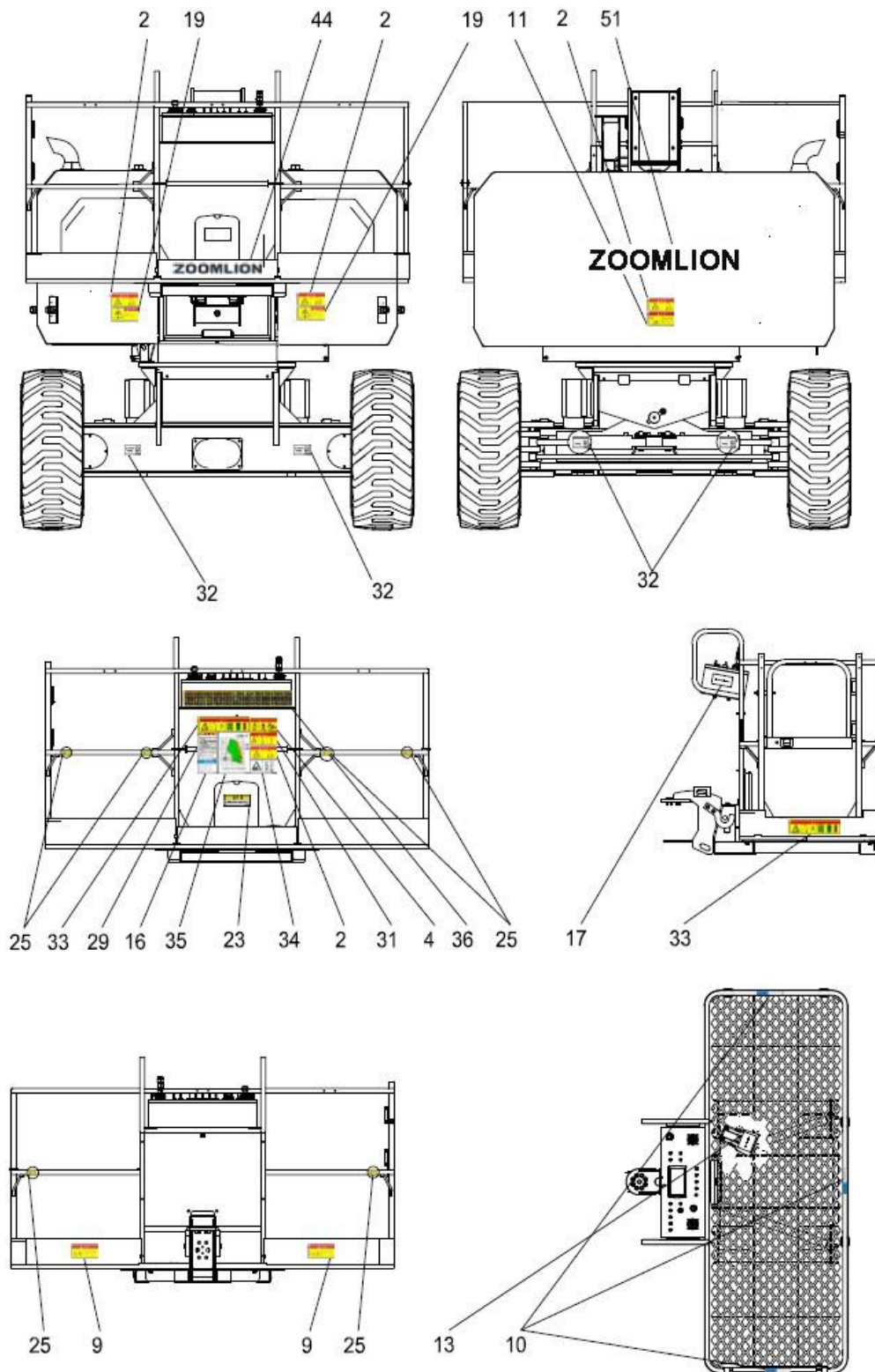
## Label assembly 0077110700000000



## Label assembly 0077110700000000

NO.	Material No.	Item and Spec	Unit	Remark
1	00773407000201060	Refill according to the operation manual	1	
5	00773407000201150	Disconnect battery	1	
8	00773407000201180	No stepping	4	
21	00773407000201370	Explode hazard1	1	
22	00773407000201380	Explode hazard2	1	
27	00773407000201430	Lifting	4	
37	00771407000201080	Blue arrow	3	
38	00771407000201090	Yellow arrow	3	
39	00771407000201100	Yellow triangle	2	
40	00771407000201110	Blue triangle	2	
45	00771407000201150	Diesel tank	1	
46	00771407000201160	Hydraulic oil tank	1	
49	00773407000201480	Low oil level	1	
50	00773407000201490	High oil level	1	

## Label assembly 0077110700000000



## Label assembly 0077110700000000

NO.	Material No.	Item and Spec	Unit	Remark
2	00773407000201070	Electrocution hazard	6	
4	00773407000201090	Overturning and collision hazard	1	
9	00773407000201190	Smashing hazard	2	
10	00773407000201200	No handholds or lanyard	3	
11	00773407000201210	Extrusion hazard	3	
13	00773407000201230	Foot switch failure	1	
16	00773407000201260	Precautions for use	2	
17	00773407000201270	Prohibition of high-pressure water flushing	3	
19	00773407000201320	Collision hazard	2	
23	00773407000201390	Preserve the manual	1	
25	00773407000201410	Safety lanyard point	6	
29	00773407000201450	Inspection before operation	2	
31	00771407000201010	Overturning hazard and tilt alarm	1	
32	00771107000201060	Wheel capacity	4	
33	00771107000201020	Overturning hazard	4	
34	00771107000201050	Slope rated value	1	
35	00771107000201010	Range of motion diagram	2	
36	00771407000201070	Platform control box instruction	1	
44	00773407000201010	Platform ZOOMLION LOGO	1	
51	00773407000201050	Counterweight ZOOMLION	1	