

FD15Z/18Z-Y

DIESEL FORKLIFT



Diesel Forklift



Well-designed pipe and joint, which adapt each other and makes the hydraulic system stable and machine durable.



The overhead guard is made by press welding, with 5 transparent plastic cover to make sure rainproof and good view.



The optimized operation lever layout, the new operation handle, and the spacious operating space, further enhance the operation comfortable.



In the hydraulic pipeline, the rubber tube and the joint adopt the conical surface seal form, the sealing effect is good, the long-term use will not seep the oil.



Spacious upper and lower pedal and driving space can reduce leg operation fatigue.



The design of combined switch with double handle of car is more simple and convenient.



Good design with buffer in lifting system will effectively reduce the vibration of mast.



A new muffler installation structure is adopted to reduce the vibration and noise of the whole vehicle.

Machine Parameters

| Features | | FD15Z | FD18Z |
|---------------------------------|------------|---------------|---------------|
| Power | — | Diesel engine | Diesel engine |
| Rated Capacity | kg | 1500 | 1800 |
| Center of load | J(mm) | 500 | 500 |
| Lifting height | h1 (mm) | 3000 | 3000 |
| Free lifting height | h3(mm) | 130 | 130 |
| Forks L×W×H | L5×W×T(mm) | 920×100×35 | 920×100×40 |
| Tilt Forward/Backward | - | 6/12 | 6/12 |
| Min.turning radius | R1 (mm) | 2060 | 2060 |
| Min right angle stalking width | Ra(mm) | 3780 | 3780 |
| Min.ground clearance(Mast) | m(mm) | 105 | 105 |
| Overhead guard height | h4(mm) | 2040 | 2040 |
| Front overhang | L3(mm) | 400 | 400 |
| Rear overhang | L4(mm) | 450 | 450 |
| Performance | | | |
| Max.traveling speed(loaded) | km/h | 14.5 | 14.5 |
| Max.lifting speed(loaded/empty) | mm/s | 460/500 | 460/500 |
| Drawbar pull/Gradeability | kN/% | 16/20 | 16/20 |
| Size | | | |
| Overall length with fork | L1 (mm) | 3170 | 3170 |
| Overall width | W1 (mm) | 1086 | 1086 |
| Mast lowered height | h2(mm) | 1990 | 1990 |
| Mast extended height | mm | 4025 | 4025 |
| Chassis | | | |
| Tire(Front) | — | 6.5-10-10PR | 6.5-10-10PR |
| Tire(Rear) | — | 5.00-8-10PR | 5.00-8-10PR |
| Wheelbase | L2(mm) | 1400 | 1400 |
| Tread width(Front/Rear) | S/P(mm) | 890/920 | 890/920 |
| Curb weight(None-load) | kg | 2680 | 2890 |
| Engine | | | |
| Battery(Voltage/Capacity) | V/Ah | 12/90 | 12/90 |
| Engine type | — | 4B4-45V32 | 4B4-45V32 |
| Rated power | kw | 32/2600 | 32/2600 |
| Rated torque | kw | 138/1950 | 138/1950 |
| Displacement | L | 2.27 | 2.27 |

2-Stage Standard Mast

| Lifting height | Coading capacity | | Mast lowered height | | Masttilt Angle f/r |
|----------------|---------------------|---------------------|----------------------------|-----------------------------------|--------------------|
| | 1.5T Single tire | 1.8T Single tire | 1.5T-1.8T Forks landing | 1.5T-1.8T Height with Backrest | |
| mm | kg | kg | mm | mm | ° |
| 2000 | 1500 | 1800 | 1490 | 3025 | 6/12 |
| 2500 | 1500 | 1800 | 1740 | 3525 | 6/12 |
| 3000 | 1500 | 1800 | 1990 | 4025 | 6/12 |
| 3300 | 1500 | 1800 | 2140 | 4325 | 6/12 |
| 3500 | 1500 | 1800 | 2240 | 4525 | 6/12 |
| 3700 | 1500 | 1800 | 2340 | 4725 | 6/12 |
| 4000 | 1500 | 1800 | 2540 | 5025 | 6/12 |
| 4500 | 1300 | 1400 | 2790 | 5525 | 6/6 *6/12 |
| 5000 | 950/*1150 | 1150/*1350 | 3040 | 6025 | 6/6 *6/6 |
| 5500 | *1000 | *1050 | 3340 | 6525 | *3/6 |
| 6000 | *650 | *850 | 3590 | 7025 | *3/6 |

Remark:* means double tires

2-Stage Full Free Mast

| Lifting height | Coading capacity | | Mast lowered height | | Free lifting height Height with Backrest | Masttilt Angle f/r |
|----------------|---------------------|---------------------|----------------------------|-----------------------------------|---|--------------------|
| | 1.5T Single tire | 1.8T Single tire | 1.5T-1.8T Forks landing | 1.5T-1.8T Height with Backrest | | |
| mm | kg | kg | kg | kg | kg | ° |
| 2000 | 1500 | 1800 | 1490 | 3035 | 495 | 6/12 |
| 2500 | 1500 | 1800 | 1740 | 3535 | 745 | 6/12 |
| 3000 | 1500 | 1800 | 1990 | 4035 | 995 | 6/12 |
| 3300 | 1500 | 1800 | 2140 | 4335 | 1145 | 6/12 |
| 3500 | 1500 | 1800 | 2240 | 4535 | 1245 | 6/12 |
| 3700 | 1500 | 1800 | 2340 | 4735 | 1345 | 6/12 |
| 4000 | 1500 | 1800 | 2540 | 5035 | 1545 | 6/12 |

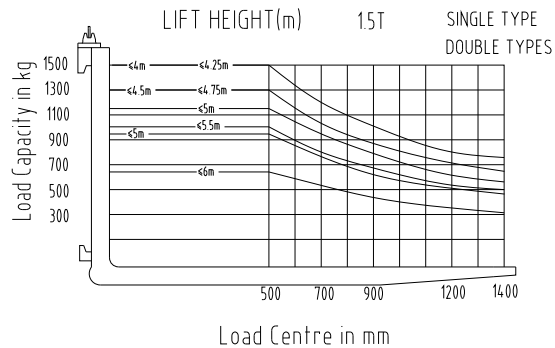
Remark: Not to take the largest rise in the shelf:3T-3.5T - 580mm
Free lifting height of the shelf:3T-3.5T + 580mm

3-Stage Full Free Mast

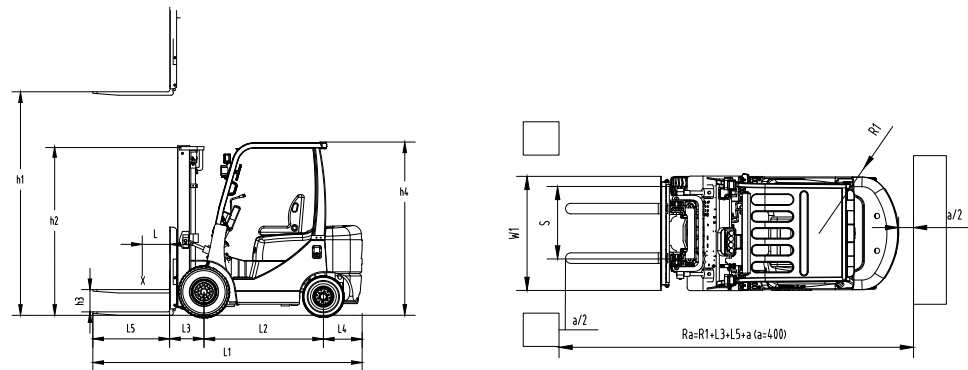
| Lifting height | Coading capacity | | Mast lowered height | | Free lifting height Height with Backrest | Masttilt Angle f/r |
|----------------|---------------------|---------------------|----------------------------|-----------------------------------|---|--------------------|
| | 1.5T Single tire | 1.8T Single tire | 1.5T-1.8T Forks landing | 1.5T-1.8T Height with Backrest | | |
| mm | kg | kg | kg | kg | kg | ° |
| 3600 | 1500 | 1800 | 1725 | 4590 | 730 | 6/6 |
| 4000 | 1300 | 1800 | 1860 | 4990 | 865 | 6/6 |
| 4350 | 1200/*1300 | 1450 | 1975 | 5340 | 980 | 6/6 |
| 4500 | 1200/*1250 | 1350 | 2025 | 5490 | 1030 | 6/6 |
| 4800 | 1100/*1200 | 1250 | 2125 | 5790 | 1130 | 6/6 |
| 5000 | 1000/*1100 | 1150 | 2195 | 5990 | 1200 | 6/6 |
| 5500 | *1000 | *1000 | 2415 | 6490 | 1420 | *3/6 |
| 6000 | *650 | *850 | 2575 | 6990 | 1580 | *3/6 |

Remark: Not to take the largest rise in the shelf:3T-3.5T - 588mm
Free lifting height of the shelf:3T-3.5T + 588mm
* means double tires

Capacity Chart



Machine 2D Graph



Standard Equipment

- Wideview mast
- Standard fork
- Suspension seat
- Backrest
- Reversing buzzer
- Rearview mirror
- Overhead guard
- Electric Horn
- 2 piece multi valve
- Oil meter
- Durable pneumatic tire
- Load sensor
- Protective net
- Timer
- Parking brake
- Lifting & tilting handle
- Speed limit valve
- Traction pin
- Auto engine preheating system
- Adjustable steering wheel
- Tilt oil passage self-locking valve
- Hydraulic powered steering
- Handle
- Water temperature gauge
- Rubber pedal pad
- Lifting oil buffer valve
- Hydraulic oil return filter
- Transmission oil filter core
- Hydraulic oil level gauge
- Oil pressure indicator
- Engine key flameout
- Gas ejector hood lock
- Air filter plugging alarm
- Toolbox
- Lamp holder
- Neutral indicator
- Tornado air filter

Options

- Windshield
- Two/three stage full-free mast
- Double air filter
- Fork sleeve
- Double tires and extended devices
- Fire extinguishing muffler
- Solid tyre
- Rotary work alarming light
- Fan
- Oil bath double air filter
- Optional painting
- Purifying muffler
- Roof shield rain proof cover
- LED lights
- Luxury seat

Attachment

- Side shifter
- Fork positioner
- Hinged fork
- Carpet boom
- Hook
- Extended fork
- Fork cover
- Lifting boom
- Paper roll clamp
- Bale clamp
- Hinged cover
- Rotator
- Barrel clamp
- Loading stabilizer

Specification of Optional Engine

| Model | Rated Power/Speed | Rated torque | Displacement |
|---------------------------|-------------------|---------------|--------------|
| - | (kW/r.p.m) | (N · m/r.p.m) | (L) |
| Xinchai engine 4N23G31 | 30/2600 | 131/1700-1900 | 2.27 |
| Quanchai engine 4B4-45V32 | 32/2600 | 132/1900 | 2.27 |
| 4TNE92-HRJ | 32.8/2500 | 135.4-149.4 | 2.659 |
| NISSAN K21 | 27.8/2600 | 143/1600 | 2.065 |
| Guangqing engine 491 | 36/2400 | 155/1800 | 2.065 |
| C240 | 24.3/2500 | 137.7/1800 | 2.369 |



ZOOMLION

ZOOMLION ANHUI INDUSTRIAL VEHICLE CO.,LTD

Add: No.2 Nanwei Road,Area of high-tech Development Zone,Wuhu,Anhui Province,P,R,China
Post: 241002 TEL: +86-0553-3020213 Website: www.zoomlionfl.com