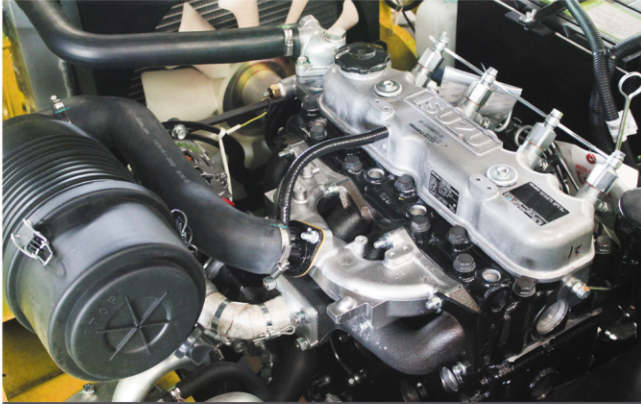


FD20-35H

DIESEL FORKLIFT



DIESEL FORKLIFT



Exceptional Powertrain

Combine Isuzu C240/4JG2, Mitsubishi S4S diesel engine and Nissan K25 gasoline engine with automatic transmission design, operator has got a powertrain that delivers strong load handling and smooth acceleration.



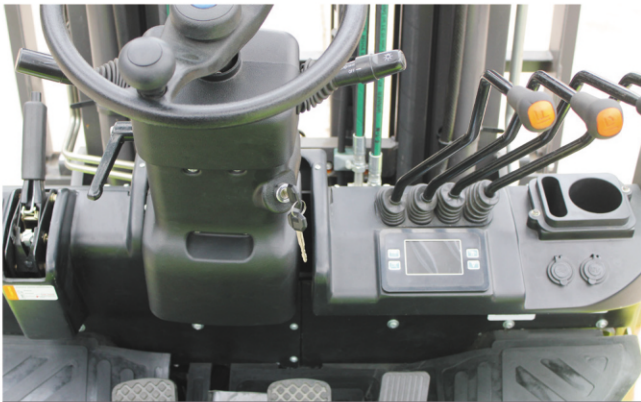
Ergonomics

Roomy foot space of 1.06 meters wide enables a comfort operation. Hydraulic controls are located besides display for maximum operator comfort, while allowing easy right-side entry and exit.



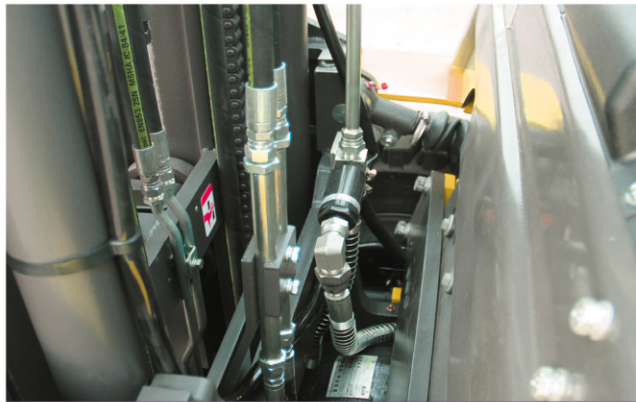
High Efficient Cooling

"Orlandi" radiator system from Italy offers ample reliability by preventing overheating and saving the oil consumption.



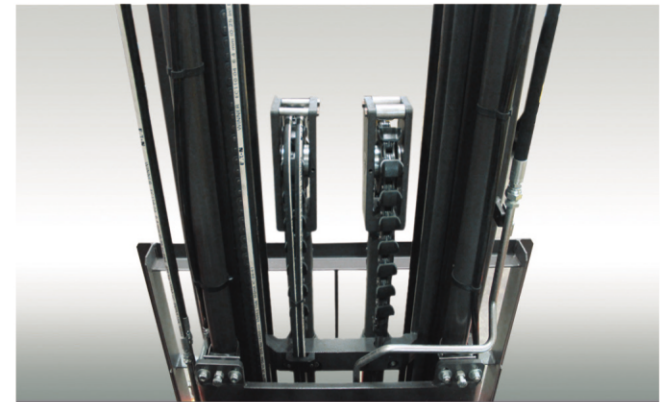
Combination Display and USB

LED Display offers useful information, such as the fuel meter, water temperature indicator and hour meters. USB charger and power outlet are special designed for the convenience of operator.



Reliable Component

SHIMADZU pump and valve, EATON oil pipe ensure precise control and durable lifetime.



Outstanding Visibility

Wide-view mast allows operator to see the forks tips in any position, helping to enhance safety and reducing operator fatigue.

Machine Parameters

| Characteristics | | FD20H | FD25H | FD30H | FD35H |
|---------------------------------------|------------|-------------------|-------------------|-------------------|-------------------|
| Power | - | Diesel | Diesel | Diesel | Diesel |
| Rated Capacity | kg | 2000 | 2500 | 3000 | 3500 |
| Load Center | J(mm) | 500 | 500 | 500 | 500 |
| Max. Lifting Height | H1(mm) | 3000 | 3000 | 3000 | 3000 |
| Free Lifting Height | H3(mm) | 135 | 135 | 145 | 160 |
| Fork Size LxWxH | L5xWxT(mm) | 1070x122x40 | 1070x122x40 | 1070x125x45 | 1070x125x50 |
| Mast Tilting Angle Forward/Backward | ° | 6/12 | 6/12 | 6/12 | 6/12 |
| Min. Turing Radius | R1(mm) | 2240 | 2240 | 2410 | 2445 |
| Min. Ground Clearance(mast) | Ra(mm) | 110 | 110 | 120 | 120 |
| Overhead Guard Height | H4(mm) | 2060 | 2060 | 2090 | 2090 |
| Height from Seat to Overhead Guard | mm | 1005 | 1005 | 1005 | 1005 |
| Performance | | | | | |
| Max. Traveling Speed(loaded) | km/h | 19 | 19 | 20 | 20 |
| Max. Lifting Speed(loaded/unloaded) | mm/s | 490/510 | 490/510 | 470/520 | 470/520 |
| Max. Traction/Gradeability (loaded) | kN/% | 17/20 | 17/20 | 18/20 | 18/20 |
| Min. Right Angle Stacking Aisle Width | mm | 4183 | 4183 | 4363 | 4403 |
| Dimensions | | | | | |
| Overall Length(without fork) | L1(mm) | 2570 | 2570 | 2705 | 2746 |
| Overall Width | W1(mm) | 1160 | 1160 | 1230 | 1230 |
| Mast Lowered Height | H2(mm) | 1990 | 1990 | 2055 | 2095 |
| Mast Extended Height | mm | 4000 | 4000 | 4256 | 4256 |
| Chassis | | | | | |
| Tyre(Front) | - | 7.00-12-12PR | 7.00-12-12PR | 28x9-15-12PR | 28x9-15-12PR |
| Tyre(Rear) | - | 6.00-9-10PR | 6.00-9-10PR | 6.50-10-10PR | 6.50-10-10PR |
| Wheelbase | L2(mm) | 1600 | 1600 | 1700 | 1700 |
| Tread(Front/Rear) | S(mm) | 970/970 | 970/970 | 1000/970 | 1000/970 |
| Curb Weight(None-load) | kg | 3350 | 3800 | 4350 | 4850 |
| Powertrain | | | | | |
| Battery(Voltage/Capacity) | V/Ah | 12/90 | 12/90 | 12/90 | 12/90 |
| Engine(Model) | - | Isuzu C240 | Isuzu C240 | Isuzu C240 | Isuzu C240 |
| Engine(Rated power) | kW/r.p.m | 34.3/2500 | 34.3/2500 | 34.3/2500 | 34.3/2500 |
| Engine(Rated torque) | Nm/r.p.m | 137.7/1800 | 137.7/1800 | 137.7/1800 | 137.7/1800 |
| Engine(Cylinder amount) | - | 4 | 4 | 4 | 4 |
| Engine(Bore×Stroke) | mm | 86×102 | 86×102 | 86×102 | 86×102 |
| Engine(Displacement) | L | 2.369 | 2.369 | 2.369 | 2.369 |
| Fuel Tank Capacity | L | 60 | 60 | 70 | 70 |
| Transmission | - | Electro-hydraulic | Electro-hydraulic | Electro-hydraulic | Electro-hydraulic |
| Working Pressure | MPa | 17.5 | 17.5 | 17.5 | 17.5 |

Remarks:The above parameters are based on 3M duplex standard mast.

Specification of Mast

M-Duplex Standard Mast

| Lifting Height | Capacity | | | | Mast Height | | | | | | Mast Tilt Angle |
|----------------|-------------|------------|------------|------------|---------------|----------------------|---------------|----------------------|---------------|----------------------|-----------------|
| | 2T | 2.5T | 3T | 3.5T | 2T-2.5T | | 3T | | 3.5T | | |
| | Single Tire | | | | Forks Landing | Height with Backrest | Forks Landing | Height with Backrest | Forks Landing | Height with Backrest | |
| mm | kg | kg | kg | kg | mm | mm | mm | mm | mm | mm | ° |
| 2000 | 2000 | 2500 | 3000 | 3500 | 1495 | 3025 | 1565 | 3260 | 1595 | 3265 | 6/12 |
| 2500 | 2000 | 2500 | 3000 | 3500 | 1745 | 3525 | 1815 | 3760 | 1845 | 3765 | 6/12 |
| 3000 | 2000 | 2500 | 3000 | 3500 | 1995 | 4025 | 2065 | 4260 | 2095 | 4265 | 6/12 |
| 3300 | 2000 | 2500 | 3000 | 3500 | 2145 | 4325 | 2215 | 4560 | 2245 | 4565 | 6/12 |
| 3500 | 2000 | 2500 | 3000 | 3500 | 2245 | 4525 | 2315 | 4760 | 2345 | 4765 | 6/12 |
| 3700 | 2000 | 2500 | 3000 | 3500 | 2345 | 4725 | 2415 | 4960 | 2445 | 4965 | 6/12 |
| 4000 | 2000 | 2500 | 3000 | 3500 | 2545 | 5025 | 2615 | 5260 | 2645 | 5265 | 6/12 |
| 4500 | 1800/*1900 | 2200/*2400 | 2600/*3000 | 2850/*3500 | 2795 | 5525 | 2865 | 5760 | 2895 | 5765 | 6/6 *6/12 |
| 5000 | 1300/*1700 | 1450/*2200 | 2100/*2850 | 2400/*3150 | 3045 | 6025 | 3115 | 6260 | 3145 | 6265 | 6/6 *6/6 |
| 5500 | *1500 | *1700 | 1550/*2400 | 1850/*2700 | 3345 | 6525 | 3415 | 6760 | 3445 | 6765 | *3/6 |
| 6000 | *1300 | *1400 | 1100/*2000 | 1400/*2300 | 3595 | 7025 | 3665 | 7260 | 3685 | 7265 | *3/6 |

Remark: * means double front tires.

Z-Duplex Full Free Mast

| Lifting Height | Capacity | | | | Mast Height | | | | | | Free Lifting Height | | | Mast Tilt Angle |
|----------------|-------------|------|------|------|---------------|----------------------|---------------|----------------------|---------------|----------------------|----------------------|------|------|-----------------|
| | 2T | 2.5T | 3T | 3.5T | 2T-2.5T | | 3T | | 3.5T | | 2T-2.5T | 3T | 3.5T | |
| | Single Tire | | | | Forks Landing | Height with Backrest | Forks Landing | Height with Backrest | Forks Landing | Height with Backrest | Height with Backrest | | | |
| mm | kg | kg | kg | kg | mm | mm | mm | mm | mm | mm | mm | mm | mm | ° |
| 2000 | 2000 | 2500 | 3000 | 3500 | 1495 | 3035 | 1565 | 3275 | 1595 | 3273 | 511 | 337 | 367 | 6/12 |
| 2500 | 2000 | 2500 | 3000 | 3500 | 1745 | 3535 | 1815 | 3775 | 1845 | 3773 | 761 | 587 | 617 | 6/12 |
| 3000 | 2000 | 2500 | 3000 | 3500 | 1995 | 4035 | 2065 | 4275 | 2095 | 4273 | 1011 | 837 | 867 | 6/12 |
| 3300 | 2000 | 2500 | 3000 | 3500 | 2145 | 4335 | 2215 | 4575 | 2245 | 4573 | 1161 | 987 | 1017 | 6/12 |
| 3500 | 2000 | 2500 | 3000 | 3500 | 2245 | 4535 | 2315 | 4775 | 2345 | 4773 | 1261 | 1087 | 1117 | 6/12 |
| 3700 | 2000 | 2500 | 3000 | 3500 | 2345 | 4735 | 2415 | 4975 | 2445 | 4973 | 1361 | 1187 | 1217 | 6/12 |
| 4000 | 2000 | 2500 | 3000 | 3500 | 2545 | 5035 | 2615 | 5275 | 2645 | 5273 | 1561 | 1387 | 1417 | 6/12 |

Remark: The max. lifting height without backrest: 2T-2.5T -420mm; 3T-3.5T -580mm.
The free lifting height without backrest: 2T-2.5T +420mm; 3T-3.5T +580mm.

S-Triplex Full Free Mast

| Lifting Height | Capacity | | | | Mast Height | | | | | | Free Lifting Height | | | Mast Tilt Angle |
|----------------|-------------|------------|------------|------------|---------------|----------------------|---------------|----------------------|---------------|----------------------|----------------------|------|------|-----------------|
| | 2T | 2.5T | 3T | 3.5T | 2T-2.5T | | 3T | | 3.5T | | 2T-2.5T | 3T | 3.5T | |
| | Single Tire | | | | Forks Landing | Height with Backrest | Forks Landing | Height with Backrest | Forks Landing | Height with Backrest | Height with Backrest | | | |
| mm | kg | kg | kg | kg | mm | mm | mm | mm | mm | mm | mm | mm | mm | ° |
| 3600 | 2000 | 2500 | 3000 | 3350 | 1765 | 4625 | 1830 | 4865 | 1830 | 4870 | 781 | 602 | 607 | 6/6 |
| 4000 | 2000 | 2500 | 3000 | 3350 | 1900 | 5025 | 1965 | 5270 | 1965 | 5275 | 916 | 737 | 742 | 6/6 |
| 4350 | 1870/*2000 | 2370/*2500 | 2870/*3000 | 3270/*3300 | 2015 | 5375 | 2080 | 5615 | 2080 | 5620 | 1031 | 852 | 857 | 6/6 |
| 4500 | 1750/*2000 | 2070/*2500 | 2570/*3000 | 3050/*3300 | 2065 | 5525 | 2130 | 5765 | 2130 | 5770 | 1081 | 902 | 907 | 6/6 |
| 4800 | 1650/*1800 | 1750/*2300 | 2250/*2800 | 2700/*3000 | 2165 | 5825 | 2230 | 6065 | 2230 | 6070 | 1181 | 1002 | 1007 | 6/6 |
| 5000 | 1450/*1650 | 1500/*2150 | 2000/*2650 | 2450/*2850 | 2230 | 6025 | 2295 | 6260 | 2295 | 6265 | 1246 | 1067 | 1072 | 6/6 |
| 5500 | 1100/*1350 | 1200/*1650 | 1550/*2300 | 1850/*2600 | 2395 | 6525 | 2460 | 6755 | 2460 | 6765 | 1411 | 1232 | 1237 | *3/6 |
| 6000 | 800/*1100 | 800/*1300 | 1100/*2100 | 1400/*2350 | 2615 | 7025 | 2680 | 7265 | 2680 | 7270 | 1631 | 1452 | 1457 | *3/6 |

Remark: The max. lifting height without backrest: 2T-2.5T -410mm; 3T-3.5T -580mm.
The free lifting height without backrest: 2T-2.5T +410mm; 3T-3.5T +580mm.
* means double front tires

Optional Attachments



Rotating Roll Clamp



Rotator



Side Shifter



Multi Pallet Handler



Bale Clamp



Push-pull with Sheet Saver

High-visibility Two Stage Free Lift Mast
 High-visibility Three Stage Free Lift Mast
 Widen Fork Carriage
 Lengthen Fork
 Lengthen Fork Extension

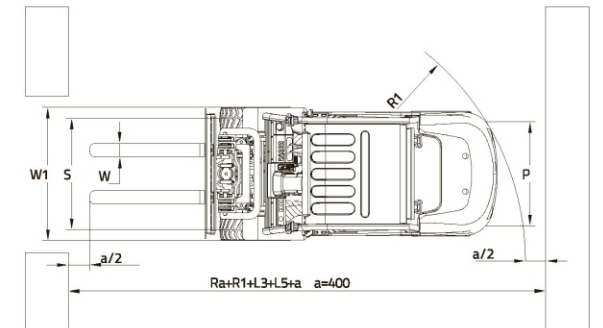
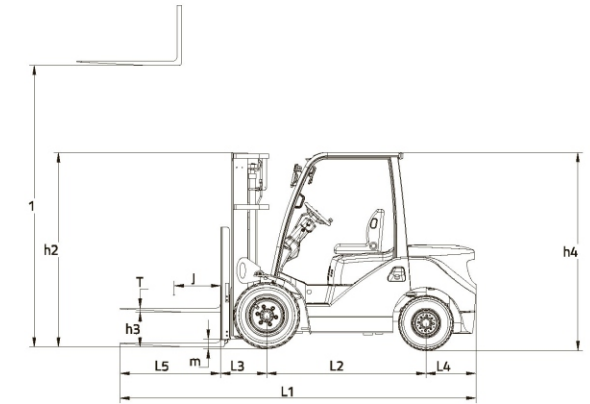
Carton Clamp
 Hinged Fork/Hinged Bucket
 Paper Roll Clamp
 Block Clamp
 Multi-use Drum Bucket

Load Stabilizer
 Load Pusher
 Carpet Boom
 Crane Jib
 Fork Positioner

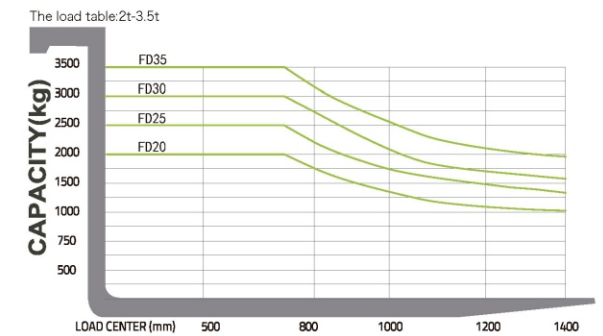
Specification Of Optional Engine

| Manufacturer | Drive Type | Model | Displacement(L) | Rated Power/Speed(kW/r.p.m) |
|--------------|--------------|---------|-----------------|-----------------------------|
| XinChai | Diesel | C490 | 2.54 | 37/2650 |
| Nissan | LPG/Gasoline | K25 | 2.488 | 37.4/2300 |
| Isuzu | Diesel | C240 | 2.369 | 34.3/2500 |
| Mitsubishi | Diesel | S4S | 3.331 | 38/2300 |
| PSI | LPG/Gasoline | PSI 2.4 | 2.351 | 47/2700 |

Machine 2D Graph



Capacity Chart





ZOOMLION ANHUI INDUSTRIAL VEHICLE CO.,LTD

Add: No.2 Nanwei Road,Area of High-tech Development Zone,Wuhu,Anhui Province,China
Post: 241002 TEL: +86-553-3020328 Website: www.zoomlion.com

All information based at the time of printing and subject to change without notice.
Pictures may be shown with optional equipment. All rights reserved.

